

sleepytroll

Baby Rocker Gen 2



Congratulations on purchasing your new Sleepytroll Baby Rocker! For the latest information and user instructions in other languages visit www.sleepytroll.com

Introduction

Sleepytroll is designed to attach to prams, strollers / cribs & bouncers (using an adaptor) and to gently rock your baby to sleep. In *Basic mode* it will rock for 60 minutes (up to 3 hours using our App) before turning off. In *Sensor mode* Sleepytroll will monitor sound and movement and start rocking when your baby becomes restless.

This product is intended to aid your child in sleeping / relaxing and is not intended to replace a carer, or be used over an extended length of time.

Safety information

Please read these user instructions before using the product, and keep for future reference. Please read adaptor manuals carefully when using Sleepytroll with adaptors. Symbols used:

⚠️ = **Warning** - Risk of personal injury


ⓘ = **Notice** - Risk of damage to the device

⚠️ **Warning** - This product is not a toy and should be used by adults only. Position the product out of reach of the child and at a safe distance from your child when in use. Never position the product closer than 5cm or directly over your child. Charge out of reach of children.

⚠️ **Warning** - Adult supervision is required, do not leave your child unattended.

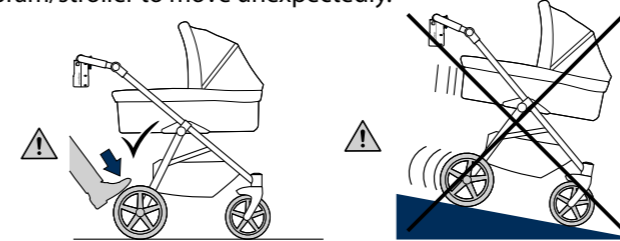
⚠️ **Warning** - Sleepytroll can produce a powerful rocking motion. This allows the product to rock large/heavy strollers & cribs. Always use the lowest setting that works with your stroller and child's weight combination and simulates your normal hand rocking. It is your responsibility to make sure that your child is comfortable with the rocking effect setting you choose, as a too powerful rocking might discomfort or harm your child.

Safety information continued

⚠️ **Warning** - Charge only using the supplied cable & a USB power supply with an output rated 5V, marked with either of the following symbols:   Risk of electric shock/fire!

⚠️ **Warning** - Always lock the brakes on the pram/stroller before using the product. Using the product with brakes unlocked may cause the pram/stroller to move unexpectedly.

⚠️ **Warning** - The pram/stroller should be positioned on a level/flat surface. Positioning on a slope may allow the pram/stroller to move unexpectedly.



⚠️ **Warning** - If using with a baby car seat (not recommended) outside of the car, or a bouncer seat, always place the seat on the ground. Never place the seat on a table, counter or other elevated location due to risk of fall.

⚠️ **Warning** - Never put your baby to sleep in a product that is not intended for sleep. Sleepytroll should only be used with products like bouncer seats for short periods of time to keep your baby occupied or settled, but never for sleep or other extended use.

ⓘ **Notice**: • Sleepytroll is tested to IPX4 (light rain). Do not use the product in prolonged or heavy rain.

• Using the product while it is not hanging vertically will shorten the motor life of your Sleepytroll.

• Do not open the product, it contains no user serviceable parts, and doing so will invalidate your warranty. If the product is not working correctly contact your place of purchase.

Charging

When the Battery Indicator light shows red, the batteries are running low and it is time to charge the product. Remove the Sleepytroll from the stroller/bouncer/crib. Open the Charger Door and insert the USB-C cable. The light on the Sleepytroll will blink red - yellow - green while charging, and show steady green once the batteries are fully charged (usually after 2.5 hours). Press the Charger Door closed when finished. The product will not function while charging. Charge the product fully before first use.

⚠️ **Warning** - Do not charge outdoors, in wet/damp conditions, near heated surfaces, at temperatures below 0°C, or when the product is wet. Risk of electric shock/fire! After being exposed to cold conditions, allow Sleepytroll to reach room temperature before charging.

Storage and battery care

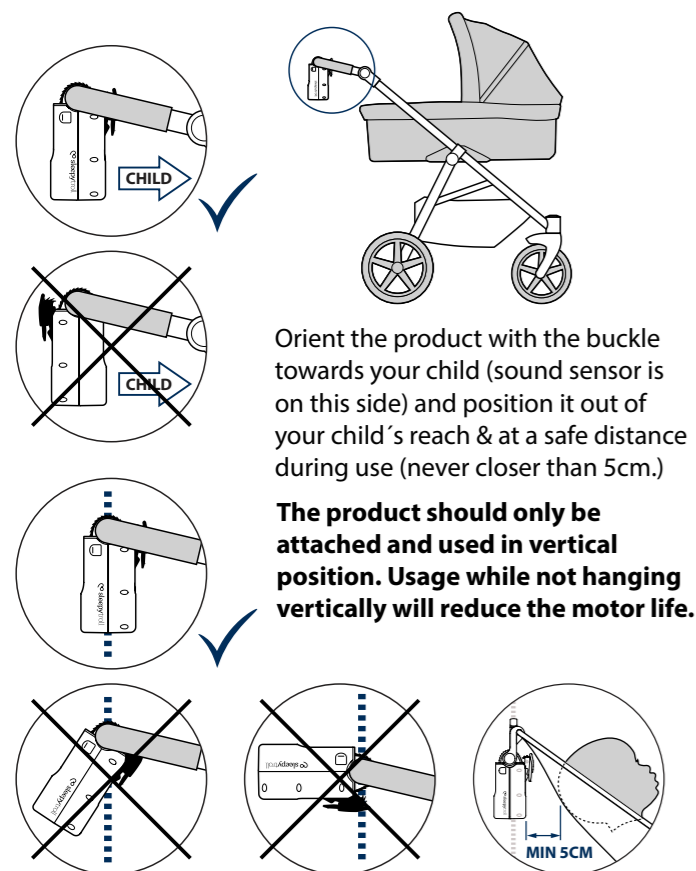
Remove the product from the stroller after use. Store the product in a dry place out of direct sunlight, away from heat sources and out of reach of children. When storing the product for long periods, be sure to charge at least every 6 months to approximately 40-70% capacity to prevent deterioration in performance due to self discharging, and choose a storage area where the temperature is between +0°C & +30°C.

Cleaning

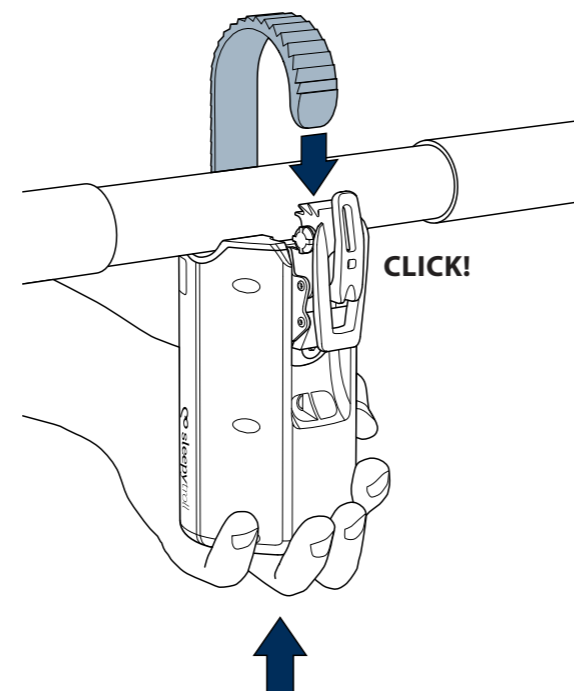
Clean the product with a cloth dampened with water only. Do not use soap or chemicals on the cloth.

ⓘ **Notice**: • Never submerge the product in water or rinse under running water. Ensure the product is dry before using.

Positioning the product

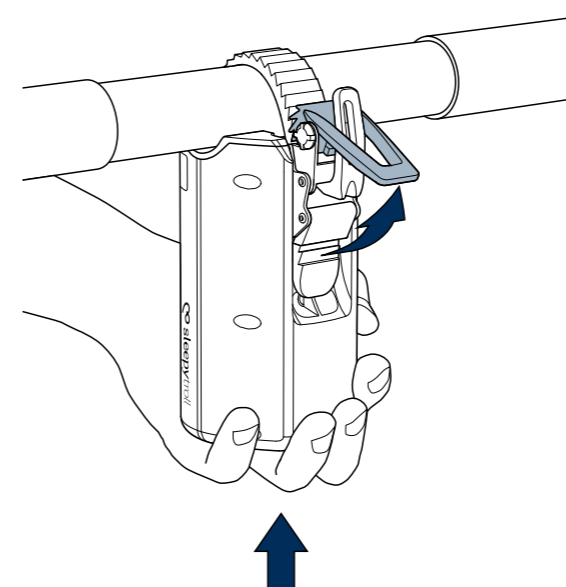


1. Attaching the product



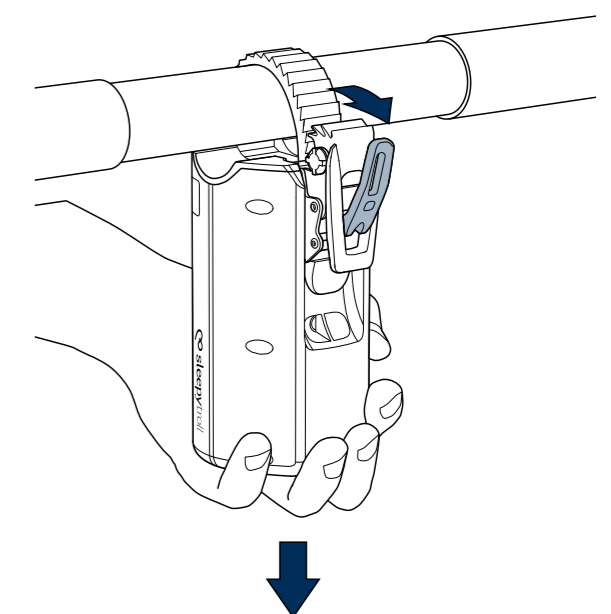
1. Place your hand under the product to prevent dropping.
2. Orient the buckle towards your child (sound sensor is on this side) and position it out of your child's reach.
3. Pass the ladder strap around the handle and feed into the ratchett buckle until you hear a click.

2. Attaching the product

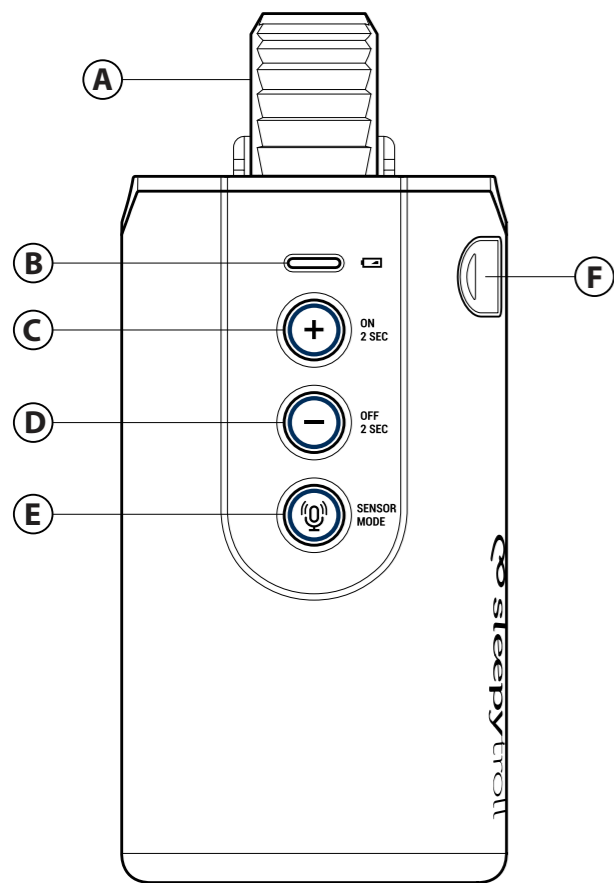


4. Keep the product **vertical** as you tighten the ratchett. Tighten by rotating the ratchett lever (marked in grey) upwards, repeating until tight. The product should be firmly attached (not loose), but do not tighten so much that it deforms the product or stroller.

Removing the product



1. Hold the product underneath to prevent dropping.
2. Open the ratchett release (marked in grey) and move the product downwards until the ladder strap is loose.



- A Universal ladder strap**
Attach product securely to the stroller handlebar. Product must always be oriented vertically.
- B Battery / Charging / Status indicator**
• Lights up when product is on.
• Battery level: Green = Full, Yellow = Medium, Red = Low
- C On / Increase rocking**
• Press and hold for 2 seconds to turn the product on.
• Product will rock for 60 minutes and then stop.
• Use short presses to increase the rocking effect.
- D Off / Decrease rocking**
• Press and hold for 2 seconds to turn the product off.
• Use short presses to decrease the rocking effect.
- E Sleepwatch Sensor Mode**
• Short press to activate *Sensor Mode* (symbol is lit).
• Rocking starts automatically if sound or movement is detected. (The sensitivity can be adjusted).
• Short press again to deactivate *Sensor Mode*.
• Alternatively hold (+) and (bell icon) buttons together for 2 seconds to start directly in *Sensor mode*.
- F Charger port**
• Open door and connect the USB-C cable to charge product.
• Only use the supplied charger cable and only charge indoors.
• For the safety of your child the product can not be used while charging.

Smart Sensor Mode

In *Smart Sensor Mode* the Sleepytroll will remain still until it detects movement or noise from your baby. It will then rock the stroller for 3 minutes, and will then wait until it detects movement / sound again.

Pressing the (bell icon) button activates and deactivates *Sensor mode*. Alternatively hold (+) and (bell icon) buttons together for 2 seconds to start the product directly in *Sensor mode*.

We recommend using the product in *Smart Sensor Mode* so as to rock only when your child is restless and to maximise battery runtime. Note: Sleepytroll will turn off automatically if sensors detect constant sound/movement over a longer period of time.

Sensor Adjustments

If the sound or movement sensors are either too sensitive or not sensitive enough, you can adjust the sensitivity. Adjustment can be done simply using our smartphone app or directly on Sleepytroll as below:

Sound Sensor adjustment:

- Press the (bell icon) button to activate *Sensor Mode*
- Hold the (bell icon) button for **5 seconds** until the battery indicator starts blinking to indicate adjustment mode, the indicator color shows the sensitivity level.
- Press (+) to increase Sensitivity or (-) to decrease. Sensitivity colors: Lowest = Red, Low = Yellow, Medium = Green, High = Light Blue, Highest = Blue
- Hold the (bell icon) button for 5 seconds to leave Adjustment mode.

Movement Sensor adjustment:

- Press the (bell icon) button to activate *Sensor Mode*
- Hold the (bell icon) button for **10 seconds** (keep holding even though the battery indicator starts blinking after 5 seconds).

Battery indicator blinking indicates adjustment mode, and color shows sensitivity setting.

- Press (+) to increase Sensitivity or (-) to decrease. Sensitivity colors: Lowest = Red, Low = Yellow, Medium = Green, High = Light Blue, Highest = Blue
- Hold (bell icon) button for 5 seconds to leave Adjustment mode.

Troubleshooting

Product stops after 60 minutes? The product is programmed to stop after 60 minutes (adjustable in our smartphone app.) You may also use the product in *Smart Sensor mode* to monitor your child's sleep and rock as necessary over a longer period.

Product will not start? Check the battery is fully charged and charger is disconnected. Position Sleepytroll to hang vertically.

Rocking effect is too strong or too weak? Check that the product is firmly attached to the stroller handle or adaptor and adjust the rocking speed.

Product is too sensitive / not sensitive enough in Sensor Mode? Adjust as described under *Sensor Mode*.

To reset Sleepytroll to factory settings, press and hold all three buttons until the battery light has finished flashing and turns off.

Sleepytroll App + other languages:

Your Sleepytroll Gen 2 can be connected to a Bluetooth enabled smartphone via our App.

You can use the App to control your Sleepytroll remotely, easily adjust the rocking time and sensitivity of the Sensors, use our sleep programs, receive notifications and more! To pair Sleepytroll with your phone first download and install the Sleepytroll App. Upon starting the App, you will then be guided through the steps to pair your Sleepytroll. Instructions in other languages are also available via the above link.



Frequently Asked Questions

- **What age child can the Sleepytroll be used with?**
The product can be used with children aged 0-3.
- **Does the product remember my previous setting?**
Yes the Sleepytroll will start in the same mode and rocking effect the next time you turn it on.
- **Why does Sleepytroll blink blue when it has finished rocking?**
Sleepytroll goes into a low power standby mode so that it remains accessible over Bluetooth for a period of time. Hold in the (-) button for 2 seconds to turn Sleepytroll off fully.
- **What temperature range can I use Sleepytroll in?**
Sleepytroll can be used in temperatures from -10 to +35 degrees.
 Cold temperatures will affect the battery during use so lower battery capacity should be expected.
 Warning, cold conditions can put your child at risk!
Check health/safety recommendations in your country and protect your child appropriately.
- **How do I choose the best rocking setting for my baby?**
All strollers are different, adjust the rocking effect setting so that it gives the desired movement to suit your child.
- **Can I attach Sleepytroll anywhere on the stroller?**
Attach Sleepytroll out of reach of your child. For best results attach it high up and on the main handlebar, hanging vertically.
- **Can I attach Sleepytroll to bouncers and cribs?**
Yes, visit our website to see adaptors and attachment tips.
- **Can I use Sleepytroll in the rain?**
Sleepytroll is tested to IPX4 and can be used in light rain. Do not expose the Sleepytroll to prolonged or heavy rain.
- **Why is it called Sleepytroll?**
The name Sleepytroll is inspired by the Norwegian stories of trolls known for sleeping during the daytime.
- **You can find additional answers and tips and information by using our app or at the following internet address:**
<https://sleepytroll.com/pages/frequently-asked-questions>

Recycling

- This symbol means that this product shall not be disposed of with normal household waste. (2012/19/EU). The product contains a built in rechargeable battery which shall not be disposed of with normal household waste (2006/66/EC). Please take your product to an official collection point to have a professional remove the rechargeable battery.
- Follow your country's rules for the separate collection of electrical and electronic products and rechargeable batteries. Correct disposal helps prevent negative consequences for the environment and human health.
- Packaging: The paper and cardboard packaging used can be disposed of as recyclable paper. The plastic wrapping may be recycled or disposed of, depending on the requirements in your country.

Removing the rechargeable battery (professional only)

Warning: Only remove the rechargeable battery when the product is to be discarded. Make sure the battery is completely discharged when you remove it. Observe basic safety precautions when you follow the procedure below and be sure to protect your eyes, hands, fingers and the surface on which you work.

- To deplete the rechargeable battery of any charge, run the product in *Basic mode* at maximum speed. Repeat until you can no longer turn on the product.
- Open the ladder strap fully, and undo the 2 hex screws on top of the product. Now undo all 6 Philips screws at the back of the product.
- Carefully pull the Front and Rear halves away from each other to expose the mechanism inside.
- Carefully unplug the wires to both battery packs, cut the cable ties that hold them and remove the battery packs.
- The rechargeable battery pack can now be recycled and the rest of the product discarded appropriately.

Product details

Sleepytroll Baby Rocker Gen 2, Model: SLT002
Operating Temperature: -10 to 35 degrees
Battery: Rechargeable Li-Ion, UN38.3, IEC62133-2:2017 compliant
Dimensions W x D x H: Packed: 102x88x178mm, Unpacked: 74x90x167mm
Weight, Packed: 0.81kg Product unpacked: 0.7 kg
Designed in Norway by Abry & Kavanagh Design AS.
Made in Xiamen, China. Patented and Design registered.
Sleepytroll is a registered trademark of Babliss AS.

Regulatory information

This product complies with all applicable requirements for Restriction of Hazardous Substances (ROHS), Waste Electronic and Electrical Equipment (WEEE) and CE regulations regarding exposure to electromagnetic fields. For Product Safety, EMC, RF, ROHS and WEEE information, see: www.sleepytroll.com/compliance. Maintenance is not required for product compliance. Sleepytroll includes a Bluetooth Low Power radio interface for smartphone connection:

Radio Equipment Directive. Hereby, Babliss AS, declares that the radio equipment type Bluetooth-enabled device is in compliance with Directive 2014/53/EU. The full text of the EU declaration of conformity is available at the following internet address: www.sleepytroll.com/compliance. The radio frequency interface in this product operates at Bluetooth LE 2400-2483.5 MHz. The maximum RF power transmitted by the appliance is 5.36 dBm.

FCC Statement: Caution: Changes or modifications not expressly approved by the party responsible for compliance could void the user's authority to operate the equipment. NOTE: This equipment has been tested and found to comply with the limits for a Class B digital device, pursuant to Part 15 of the FCC Rules. These limits are designed to provide reasonable protection against harmful interference in a residential installation. This equipment generates, uses and can radiate radio frequency energy and, if not installed and used in accordance with the instructions, may cause harmful interference to radio communications. However, there is no guarantee that interference will not occur in a particular installation. If this equipment does cause harmful interference to radio or television reception, which can be determined by turning the equipment off and on, the user is encouraged to try to correct the interference by one or more of the following measures:
—Reorient or relocate the receiving antenna.
—Increase the separation between the equipment and receiver.
—Connect the equipment into an outlet on a circuit different from that to which the receiver is connected.
—Consult the dealer or an experienced radio/TV technician for help.

This device complies with Innovation, Science and Economic Development Canada's license-exempt RSS standards. This device complies with part 15 of the FCC Rules. Operation is subject to the following two conditions: (1) this device may not cause harmful interference, and (2) this device must accept any interference received, including interference that may cause undesired operation.
FCC & ISED RF Exposure Statement: This equipment complies with FCC & ISED RF radiation exposure limits set forth for an uncontrolled environment. This transmitter must not be co-located or operating in conjunction with any other antenna or transmitter.

Limited Hardware Warranty - A summary

Babliss AS warrants that its hardware product shall be free from defects in materials and workmanship for the length of time identified on the product package beginning from the date of original retail purchase, but in no instance shall this be less than one (1) year. See www.sleepytroll.com/support for specific warranty information about your product and procedures to act on a warranty claim. Proof of purchase will be required.

Babliss AS's entire liability and your exclusive remedy for any breach of warranty shall be, at Babliss AS's option, to repair or replace the product, or to refund the price paid, provided that the hardware is returned to the point of purchase or such other place as required by law along with a receipt. Warranty protections are in addition to rights provided under local consumer laws and may vary among countries. See the full warranty information to know your consumer rights and the additional protections provided by this product warranty.

The terms of the international warranty do not cover the following:

- Damage caused by misuse, abuse, neglect or unauthorized repair.
- Normal wear and tear, including chips, scratches, abrasions, discoloration or fading.

For European Union Consumers Only: Please note that in the European Union, any warranty period less than two years shall be increased to two (2) years. **For UK Consumers only:** This warranty is in addition to your statutory rights under the Consumer Rights Act 2015. You are entitled to a repair, replacement, or refund if your product is faulty or not as described.

For Australian / New Zealand Consumers Only: Our goods come with guarantees that cannot be excluded under the Australian Consumer Law/ New Zealand Consumer Guarantees Act 1993. You are entitled to a replacement or refund for a major failure and compensation for any other reasonably foreseeable loss or damage. You are also entitled to have the goods repaired or replaced if the goods fail to be of acceptable quality and the failure does not amount to a major failure.

The Bluetooth® word mark and logos are registered trademarks owned by Bluetooth SIG, Inc. and any use of such marks by Babliss AS is under license. Other trademarks and trade names are those of their respective owners.

Babliss AS
Ralph Tamsvei 10B
NO-1384 Asker, Norway
©2024/10 Babliss AS: v200010
All rights reserved.



Bluetooth
FCC ID: 2BLLPK-SLTG2
IC: 33156-SLTG2

CARBONBOARD
widely recycled
PLASTIC
check local recycling