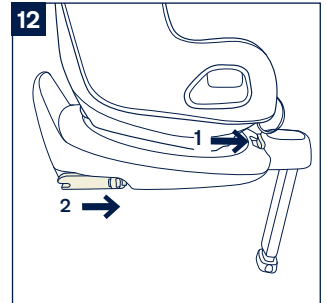
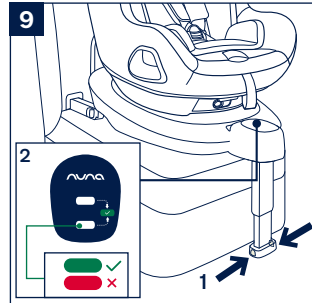
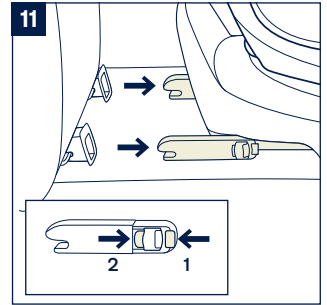
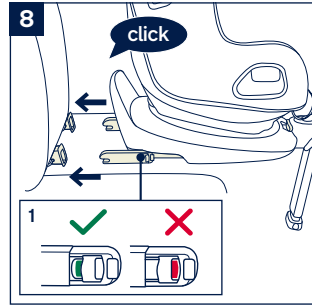
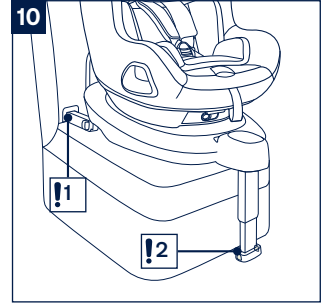
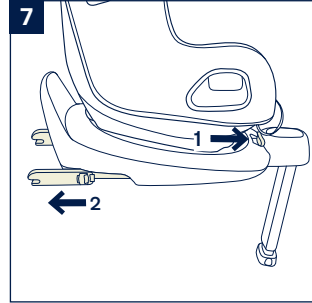
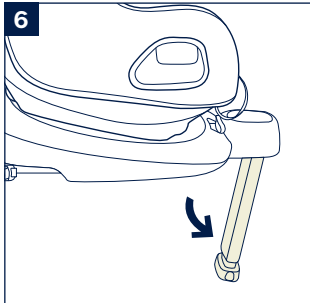
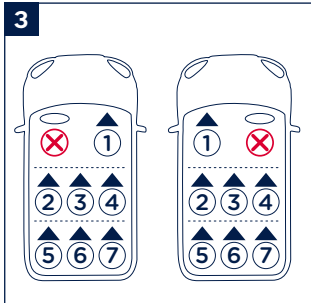
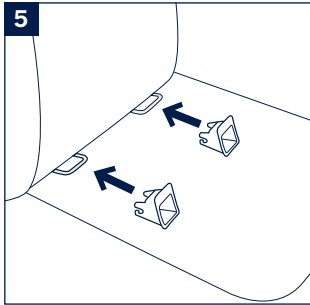
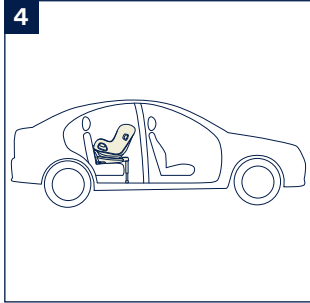
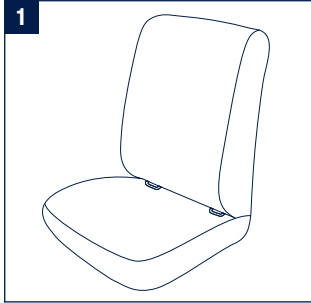


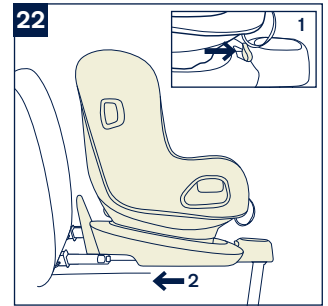
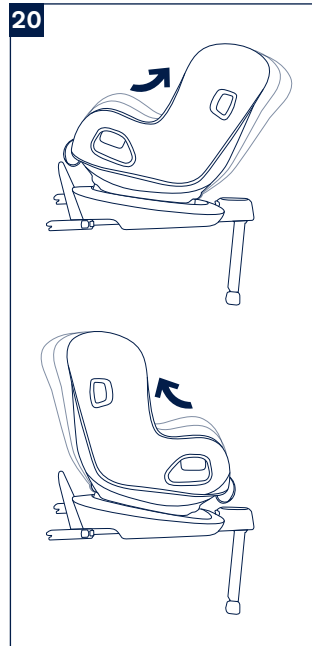
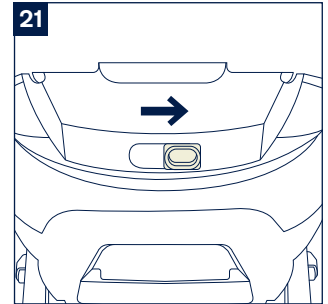
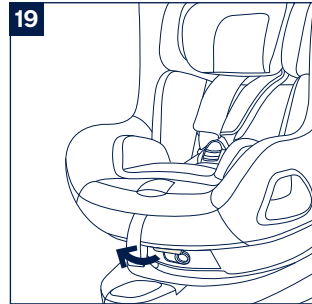
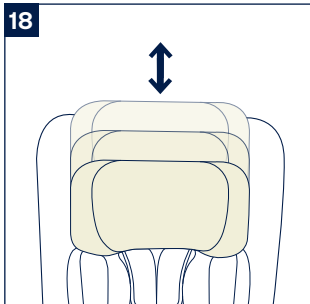
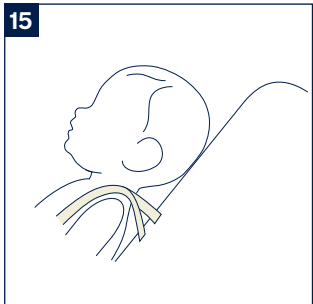
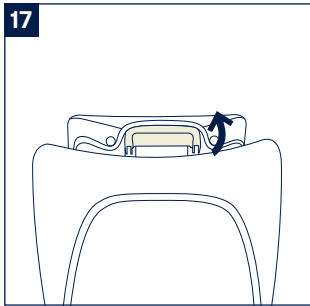
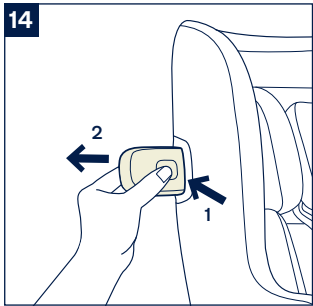
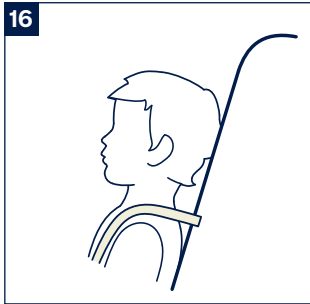
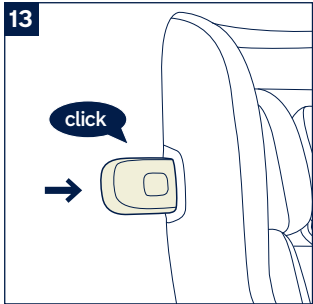
pruu™



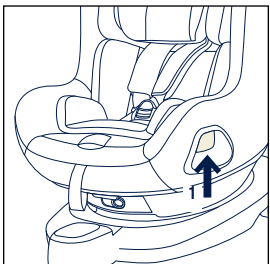
AVNA®

IMPORTANT!
KEEP THESE
INSTRUCTIONS FOR
FUTURE REFERENCE:
READ CAREFULLY

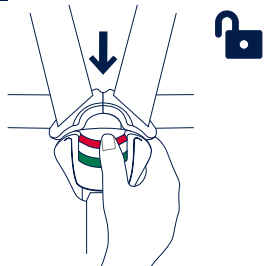




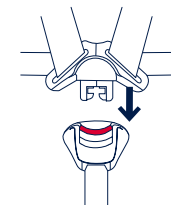
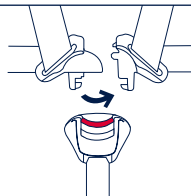
23



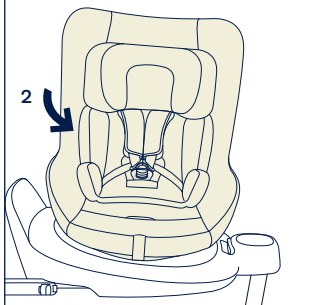
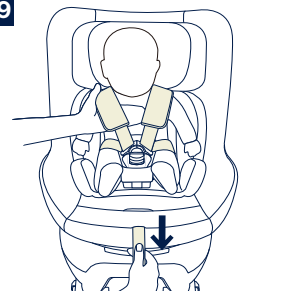
25



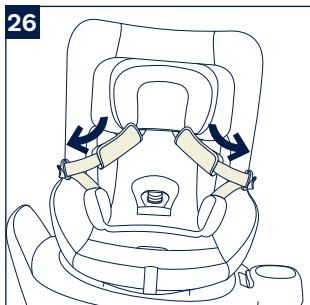
27



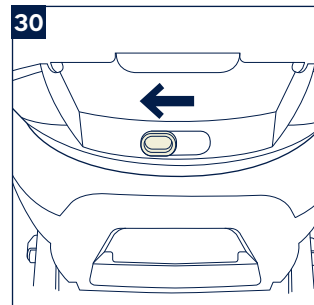
29



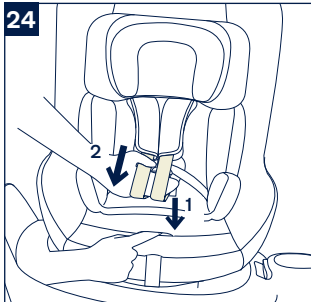
26



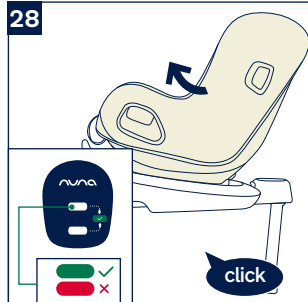
30



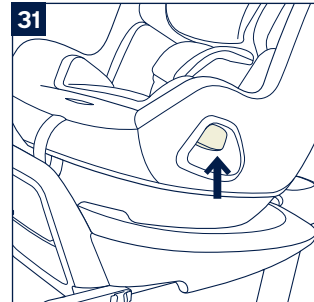
24

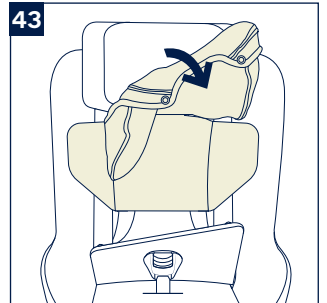
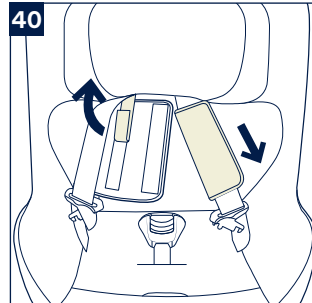
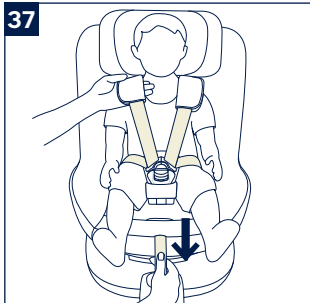
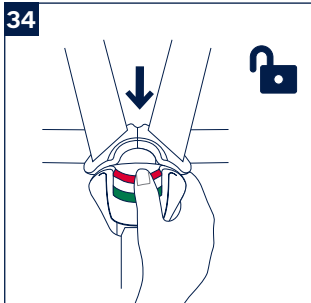
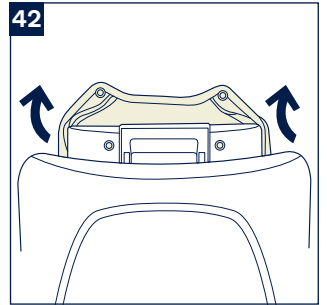
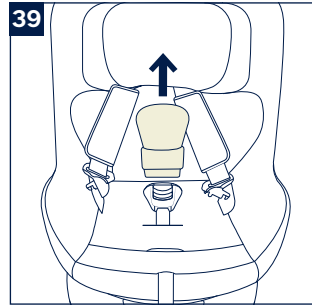
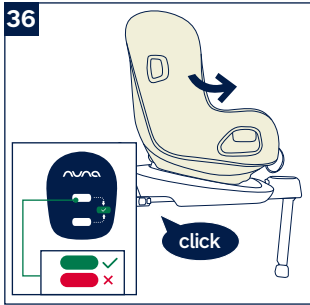
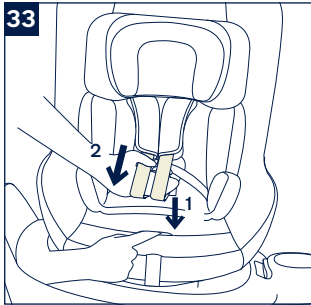
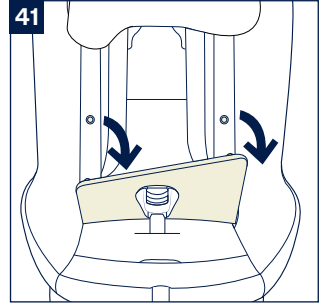
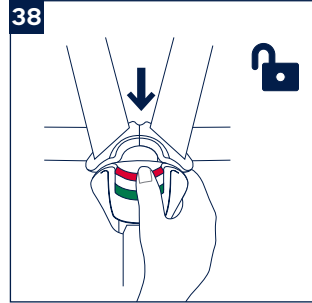
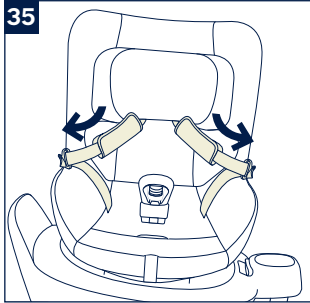
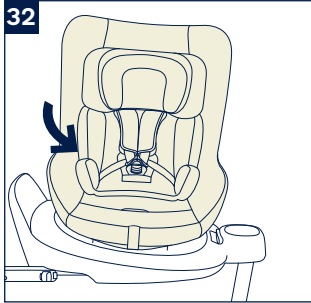


28

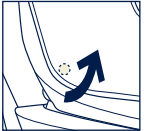
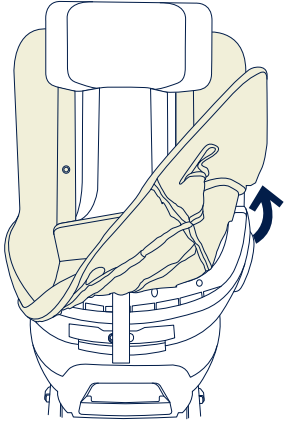


31





44



Designed
around your life



Contents

Product information	3
Warranty	
Contact	
Child Usage Requirements	4
Warning	5
Parts List	7
Product Set Up	9
Product Use	9
Cleaning and Maintenance	14
Français (FR)	15
Deutsch (DE)	29
Nederlands (NL)	43
Italiano (IT)	57
Español (ES)	71
Português (PT)	85
Polski (PL)	99
Čeština (CZ)	113
Slovenčina (SK)	127
Hrvatski (HR)	141
Slovenščina (SL)	155
Русский (RU)	169
Norsk (NO)	183
Svenska (SV)	197
Suomi (FI)	211
Dansk (DK)	225
Română (RO)	239
Ελληνικά (EL)	253
Türkçe (TR)	267
Hungarian (HU)	281
٢٩٦	
(AR) العربية	

Product Information

Model Number: _____

Manufactured Date: _____

Warranty

We have purposely designed our high-quality products so that they can grow with both your child and your family. Because we stand by our product, our gear is covered by a custom warranty per product, starting from the day it was purchased. Please have the proof of purchase, model number and manufactured date available when you contact us.

For warranty information please visit:

www.nunababy.com

Click the "Warranty" link on the homepage.

Contact

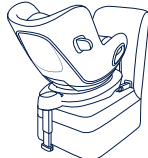
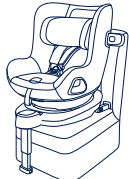
For replacement parts, service, or additional warranty questions, please contact our customer service department.



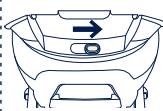


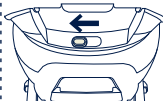
info@nunababy.com
www.nunababy.com

NUNA International B.V.
 Van der Valk Boumanweg 178 C
 2352JD Leiderdorp
 The Netherlands

Child Usage Requirements

This product is suitable for use with children who meet the following requirements:

Child's Size	Installation Mode	Figure for Installation	Reference Age	Seat Position	Infant Insert Instructions
40cm-105cm/ ≤19kg	Rearward Facing Mode		<4 years	Position 1-5	We recommend using the full infant insert while the baby is under 60cm and ≤13kg. It can be used until they outgrow the insert. The infant insert increases side impact protection.
76cm-105cm/ ≤19kg	Forward Facing Mode		15 months to 4 years	Position 1-5	Remove the infant insert when forward facing mode.

Child's Age	Installation Mode	Installation		Swivel Lock
<15M	Rearward Facing Mode			
>15M	Rear/ Forward Facing Mode			

- 1 - This is an "i-Size" Enhanced Child Restraint System. It is approved according to UN Regulation No.129, for use in, i-Size compatible vehicle seating positions as indicated by vehicle manufacturers in the vehicle users' manual.
- 2 - In if doubt, consult either the Enhanced Child Restraint System manufacturer or the retailer.

⚠ WARNING

Failure to follow these warnings and instructions could result in serious injury or death.

DO BE cautious that the rigid items and plastic parts of an enhanced child restraint system shall be located and installed so that they are not liable to become trapped by a moveable seat or in a door of the vehicle.

DO NOT use the rearward facing enhanced child restraint system in seating positions where there is an active frontal airbag installed.

To use this enhanced child restraint according to the UN Regulation No.129, your child must meet the following requirements.

Rearward Facing:

Child height 40cm-105cm/ Child weight ≤19kg;

Forward Facing:

Child height 76cm-105cm/ Child weight ≤19kg;

IMPORTANT - DO NOT USE FORWARD FACING BEFORE THE CHILD'S AGE EXCEEDS 15 MONTHS (Refer to instructions)

Any support-leg should be in contact with the vehicle floor and any straps restraining the child should be adjusted to the child's body. The straps should not be twisted.

Ensure that any lap strap is worn low down, so that the pelvis is firmly engaged, shall be stressed.

This enhanced child restraint should be replaced when it has been subject to violent stresses in an accident. An accident can cause damage to it that you cannot see.

Consider the danger of making any alterations or additions to the device without approval of the adequate authority, and the danger of not following closely to the installation instructions provided by the enhanced child restraint manufacturer.

Please keep this enhanced child restraint away from direct sunlight, otherwise it may become too hot for child's skin. Always test the temperature by touching the enhanced child restraint before placing child in it.

Children should not be left unattended in their enhanced child restraint system.

Any luggage or other objects liable to cause injuries in the event of a collision shall be properly secured.

The enhanced child restraint may not fit in all approved vehicles when used in one of these positions.

The enhanced child restraint system shall **NOT BE USED** without the soft goods.

The soft goods should not be replaced with any other than the one recommended by the manufacturer, because the soft goods constitutes an integral part of the restraint performance.

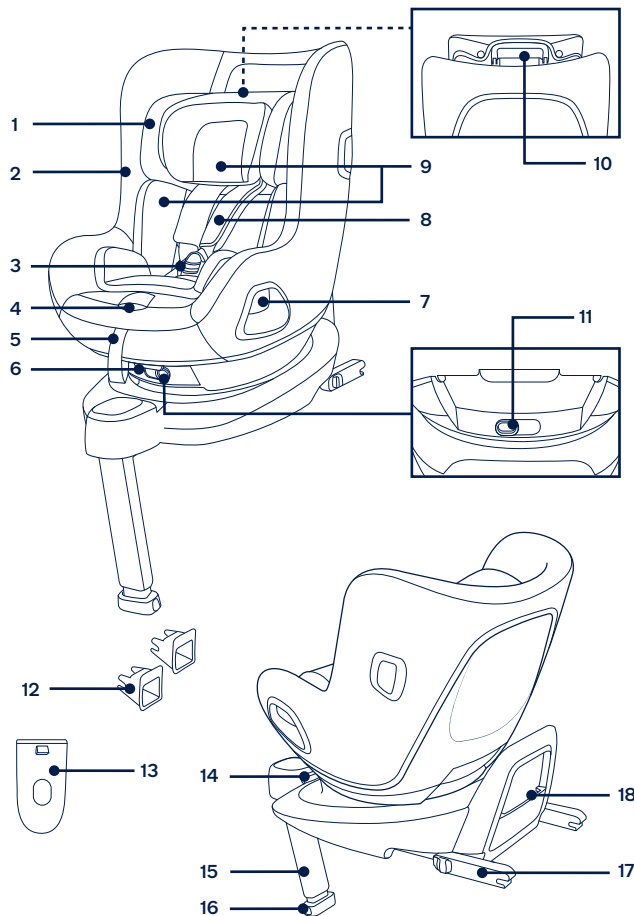
The instructions should be retained on the enhanced child restraint for its life period.

Please also pay attention to the instructions and warnings in the vehicle manufacturer's handbook.

Parts List

Make sure all parts are available before assembly. If any part is missing, please contact local retailer. No tools are required for assembly.

- | | | | |
|----|-------------------------------|----|--|
| 1 | Head Support | 11 | Swivel Lock |
| 2 | Seat Pad | 12 | ISOFIX Guides |
| 3 | Buckle | 13 | Side Impact Protection Pod |
| 4 | Webbing Adjustment Button | 14 | ISOFIX Adjustment Button |
| 5 | Adjustment Webbing | 15 | Load Leg |
| 6 | Recline Adjustment Button | 16 | Load Leg Adjustment Button |
| 7 | Rotating Button | 17 | ISOFIX Connector |
| 8 | Shoulder Harness Covers | 18 | Instruction Manual Storage Compartment |
| 9 | Infant Insert | | |
| 10 | Head Support Adjustment Lever | | |



Product Set Up

Installation Concerns

This enhanced child restraint system is only suitable for vehicle seats equipped with ISOFIX anchorage bars. **(1)**

DO NOT use the rearward facing enhanced child restraint system in seating positions where there is an active frontal airbag installed. **(2)** Death or serious injury may occur. Please reference vehicle owner's manual for more information.

DO NOT install this enhanced child restraint system on vehicle seats that face sideways or rearward with respect to the moving direction of the vehicle.

Please refer to your vehicle owner's manual for recommended or suggested installation positions. **(3)**

It is recommended to install this enhanced child restraint on the rear vehicle seat. **(4)**

Product Use

Installation

- 1 - Attach the ISOFIX guides to the vehicle's ISOFIX anchor bars (see vehicle owner's manual). **(5)** The ISOFIX guides can protect the surface of the vehicle seat from being torn. They can also guide the ISOFIX connectors.
- 2 - Unfold the load leg from storage compartment. **(6)**
- 3 - Extend the ISOFIX connectors by pressing the ISOFIX adjustment button while pulling on the connector. **(7)**
- 4 - Press the ISOFIX adjustment button to adjust the ISOFIX connectors. Line up the ISOFIX connectors with the ISOFIX guides, and then click both ISOFIX connectors into the ISOFIX anchor bars. **(8)**
 - ! Make sure that both ISOFIX connectors are securely attached to the vehicle's ISOFIX anchor bars. There should be two audible clicks and the colors of the indicators on both ISOFIX connectors should be completely green. **(8)-1**
 - ! Check to make sure the base is securely installed by pulling on both ISOFIX connectors.

- 5 - After placing the base on the vehicle seat, extend the load leg to floor **(9)**. When the load leg is installed correctly, the load leg indicator will show green. Red will be shown when installed incorrectly. **(9)-2**

The load leg has multiple positions. When the load leg indicator shows red this means the load leg is in the wrong position.

- ! Make sure the load leg is in full contact with the vehicle floor pan.
- ! Squeeze the load leg adjustment button, then shorten the load leg upwards. **(9)-1**

The completely assembled base is shown as **(10)**.

- ! The ISOFIX connectors must be attached and locked onto the ISOFIX anchor bars. **(10)-1**
- ! The load leg must be installed correctly with green indicator. **(10)-2**

- 6 - To remove the base, press the secondary lock button **(11)-1** first followed by the button **(11)-2** on the ISOFIX connectors before removing the base from the vehicle seat. **(11)**
- 7 - For transporting, press ISOFIX Adjustment button and move the ISOFIX connectors back into the storage position. **(12)**

Use Side Impact Protection

- 1 - The enhanced child restraint is delivered with removable side impact protection pod. This side impact protection pod **MUST** be used on the door side of the vehicle. Installation shown in **(13)**.
- 2 - Press the release button to remove side impact protection pod. **(14)**

Height Adjustment

for Head Support and Shoulder Harnesses

Please adjust the head support and check if the shoulder harnesses are at the correct height according to **(15)-(18)**.

- ! When used in rearward facing mode, the shoulder harness height must be even with or just below the top of child's shoulders. **(15)**
- ! When used in forward facing mode, the shoulder harness height must be even with the top of child's shoulders. **(16)**

Pull the head support adjustment lever **(17)**, meanwhile pull up or down the head support until it snaps into one of the 6 positions. The head support positions are shown as **(18)**.

Recline Adjustment

- 1 - Squeeze the recline adjustment button to adjust the enhanced child restraint to the proper position. **(19)**
- 2 - Both rear facing mode and forward facing mode have 5 recline positions, the recline angles are shown as. **(20)**

Rearward Facing Mode

(Child height 40cm-105cm/ Child weight ≤19kg)

- ! Please install the enhanced child restraint on the rear vehicle seat, and then place the child in the enhanced child restraint.
 - ! Please slide swivel lock to the right when using the enhanced child restraint in rearward facing mode. **(21)**
- 1 - Press and hold the ISOFIX adjustment button and push the enhanced child restraint system back until it comes in contact with the vehicle seatback. **(22)**
 - 2 - Press and hold the rotation button to rotate for easier side loading/unloading of the child, then rotate the seat to the rear facing position. **(23)**
 - ! Press the rotation button on either side to rotate the enhanced child restraint.
 - ! Always make sure the child restraint is in the lock position (rearward facing / forward facing) even when the child is not in it.
 - 3 - Press the harness adjustment button while pulling the shoulder harnesses to the desired length (Pull from below the fixed shoulder pads to lengthen). **(24)**
 - 4 - Unlock the buckle of the harnesses by pressing the red button. **(25)**
 - 5 - Place the buckle tongues against the magnetic area on the outer side of the enhanced child restraint so that the tongues are held in place. **(26)**

Use Infant Insert



We recommend using the full infant insert while the baby is under 60cm and ≤13kg. It can be used until they outgrow the insert.
The infant insert increases side impact protection.

- 6 - Place the child into the enhanced child restraint and pass both arms through the harnesses.
- 7 - Engage the buckle. Please refer to **(27)**.
- 8 - Rotate the enhanced child restraint to rearward facing. The enhanced child restraint indicator will show green. **(28)**
- 9 - Pull down the adjustment webbing and adjust it to the proper length to make sure your child is properly secured. **(29)**
 - ! Always keep child secured in harness and properly tightened by removing any slack.

Forward Facing Mode

(Child height 76cm-105cm/ Child weight ≤19kg)
(Child's Age ≥15 Month)

- ! Please install the enhanced child restraint on the rear vehicle seat, and then place the child in the enhanced child restraint.
 - ! Please slide swivel lock to the left when using the enhanced child restraint in forward facing mode. **(30)**
- 1 - Press and hold the rotation button to rotate for easier side loading/unloading of the child, then rotate the seat to the forward facing position. **(31)(32)**
 - ! Press the rotation button on either side to rotate the enhanced child restraint.
 - ! Always make sure the child restraint is in the lock position (rearward facing / forward facing) even when the child is not in it.

- 2 - Press the harness adjustment button while pulling the shoulder harnesses to the desired length (Pull from below the fixed shoulder pads to lengthen). (33)
- 3 - Unlock the buckle of the harnesses by pressing the red button. (34)
 - ! Remove the infant insert when in forward facing mode.
- 4 - Place the buckle tongues against the magnetic area on the outer side of the enhanced child restraint so that the tongues are held in place. (35)
- 5 - Rotate the enhanced child restraint seat to forward facing, the enhanced child restraint indicator will show green. (36)
- 6 - Pull down the adjustment webbing and adjust it to the proper length to make sure your child is properly secured. (37)
 - ! Always keep child secured in harness and properly tightened by removing any slack.
 - ! **DO NOT** use forward facing unless your child is at least 76cm AND 15 months old.

Detach & Assemble Soft Goods

Press the red button to disengage the buckle. (38)

Follow steps (39) - (44) to detach soft goods.

To re-attach the soft goods please repeat the above steps in reverse.

Cleaning and Maintenance

Please store the infant insert somewhere out of the child's reach.

Please wash the soft goods with cold water under 30°C.

DO NOT iron the soft goods.

DO NOT bleach or dry clean the soft goods.

DO NOT use undiluted neutral detergent, gasoline or other organic solvent to wash the enhanced child restraint. It may cause damage to the enhanced child restraint.

DO NOT twist the soft goods to dry with great force. It may leave the soft goods with wrinkles.

Please hang dry the soft goods in the shade.

Please remove the enhanced child restraint from the vehicle seat if it will not be in use for a long period of time.

**IMPORTANT !
CONSERVEZ CES
INSTRUCTIONS
POUR RÉFÉRENCE
ULTÉRIEURE :
*LIRE ATTENTIVEMENT***

Sommaire

Informations sur le produit	17
Garantie	
Contact	
Conditions d'utilisation avec un enfant	18
Avertissement	19
Liste des pièces	21
Installation du produit	23
Utilisation du produit	23
Nettoyage et maintenance	28

Informations sur le produit

Numéro de modèle : _____

Date de fabrication : _____

Garantie

Nous avons conçu spécialement nos produits de haute qualité afin qu'ils puissent accompagner le développement de votre enfant et de votre famille. Nous soutenons notre produit en couvrant notre matériel par une garantie personnalisée, commençant le jour de son achat. Ayez la preuve d'achat, le numéro de modèle et la date de fabrication à disposition lorsque vous nous contactez.

Pour des informations sur la garantie, veuillez visiter :

www.nunababy.com

Cliquez sur le lien « Garantie » dans la page d'accueil

Contact

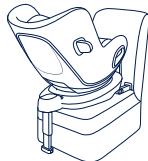
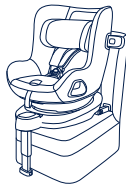
Pour des informations sur les pièces de rechange, le service ou des questions supplémentaires sur la garantie, veuillez contacter notre service client.

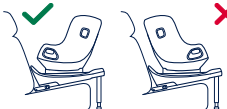
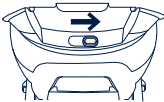

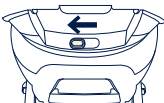
info@nunababy.com

www.nunababy.com

Conditions d'utilisation avec un enfant

Ce produit est adapté aux enfants répondant aux exigences suivantes:

Taille de l'enfant	Mode d'installation	Illustration pour l'installation	Âge de référence	Position du siège	Instructions relatives au support pour bébé
40 cm - 105 cm / ≤ 19kg	Mode face à l'arrière		<4 ans	Position 1-5	Nous conseillons d'utiliser l'insert pour bébé intégral lorsque le bébé fait moins de 60cm et ≤13kg. Il peut être utilisé jusqu'à ce que les enfants deviennent trop grands pour l'insert. L'insert pour bébé augmente la protection contre les impacts latéraux.
76cm - 105 cm / ≤ 19kg	Mode face à l'avant		15 mois jusqu'à 4 ans	Position 1-5	Retirez l'insert pour bébé en mode face à l'avant.

Âge de l'enfant	Mode d'installation	Installation	Verrouillage de pivotement
< 15M	Mode face à l'arrière		
> 15 M	Mode face à l'arrière/face à l'avant		

- 1 - Il s'agit d'un dispositif de retenue pour enfants amélioré « i-Size ». Il est approuvé conformément à la réglementation UN n°129 pour une utilisation dans des positions de sièges de véhicules compatibles i-Size comme indiqué par le constructeur dans le manuel de l'utilisateur du véhicule.
- 2 - En cas de doute, consultez le fabricant du dispositif de retenue pour enfants amélioré ou le distributeur.

AVERTISSEMENT

Ne pas suivre ces avertissements et instructions peut conduire à de sérieuses blessures ou la mort.

VEUILLEZ vous assurer que les éléments rigides et les pièces en plastique du système de retenue pour enfants amélioré soient situés et installés de sorte qu'ils ne soient pas susceptibles de se coincer sous un siège mobile ou dans la porte du véhicule.

N'UTILISEZ PAS le système de retenue pour enfants amélioré face à l'arrière dans des positions d'assise où un airbag frontal actif est installé.

Pour utiliser ce dispositif de retenue pour enfants amélioré conformément à la réglementation UN N°129, votre enfant doit respecter les conditions suivantes.

Face à l'arrière :

Taille de l'enfant 40cm-105cm / Poids de l'enfant \leq 19kg

Face à l'avant :

Taille de l'enfant 76cm-105cm / Poids de l'enfant \leq 19kg

IMPORTANT - NE PAS UTILISER FACE À L'AVANT AVANT QUE L'ÂGE DE L'ENFANT ATTEIGNE 15 MOIS (voir les instructions)

Tout piètement de support doit être en contact avec le plancher du véhicule et les sangles retenant l'enfant doivent être ajustées sur le corps de l'enfant. La ceinture ne doit pas être entortillée.

Veillez vérifier que toute sangle sous-abdominale est installée vers le bas, de manière à ce que le bassin soit fermement engagé, ceci est important.

Ce dispositif de retenue pour enfants amélioré doit être remplacé s'ils a été soumis à des tensions violentes dans un accident. Un accident peut les endommager, même si vous ne voyez pas les dommages.

Soyez conscient du danger d'apporter des modifications ou des ajouts au dispositif sans l'approbation de l'autorité concernée ainsi que du danger de ne pas respecter strictement les instructions d'installation fournies par le fabricant du dispositif de retenue pour enfants amélioré.

Veillez conserver ce dispositif de retenue pour enfants amélioré à l'écart de la lumière directe du soleil, car il pourrait devenir trop chaud pour la peau de l'enfant. Testez toujours la température en touchant le dispositif de retenue pour enfants amélioré avant de placer l'enfant dedans.

Les enfants ne doivent pas rester dans le dispositif de retenue pour enfants amélioré sans surveillance.

Tout bagage et autres objets susceptibles de causer des blessures en cas de collision doivent être correctement sécurisés.

Le dispositif de retenue pour enfants amélioré ne s'adapte peut être pas dans tous les véhicules homologués s'il est utilisé dans l'une de ces positions.

Le dispositif de retenue pour enfants amélioré **NE DOIT PAS** être utilisé sans les pièces souples.

Les pièces souples ne doivent pas être remplacées par des pièces autres que celles recommandées par le fabricant, car les pièces souples font partie intégrante des performances du dispositif de retenue.

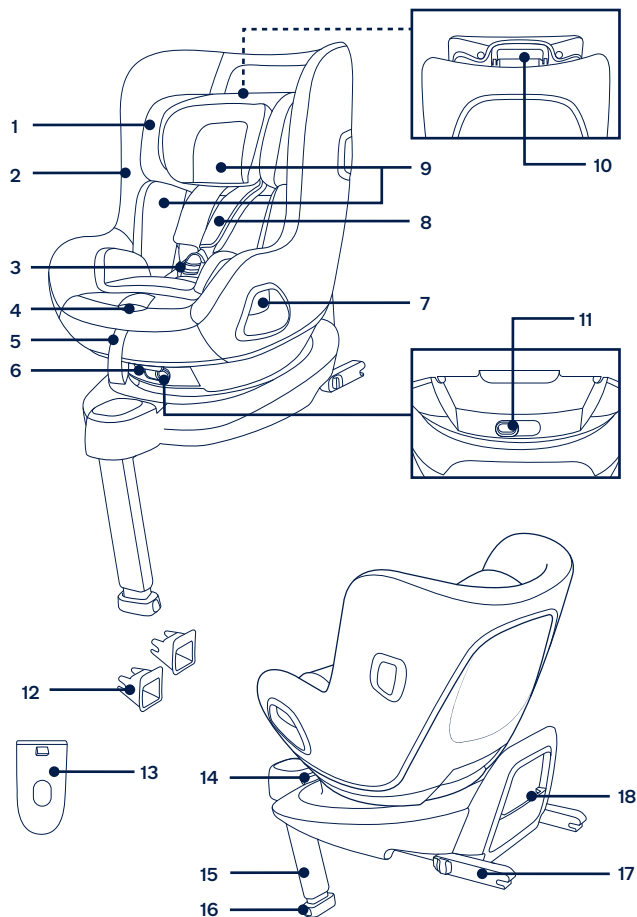
Les instructions doivent être conservées sur le système de retenue pour enfants amélioré pendant sa durée de vie.

Veillez également respecter les instructions et les avertissements figurant dans le manuel du constructeur du véhicule.

Liste des pièces

Assurez-vous que toutes les pièces sont présentes avant le montage. Si une pièce est manquante, contactez votre revendeur local. Le montage ne nécessite aucun outil.

- | | |
|---|---|
| 1 Appui-tête | 21 Verrouillage du pivotement |
| 2 Assise de siège | 22 Guides ISOFIX |
| 3 Boucle | 23 Dispositif de protection contre les chocs latéraux |
| 4 Bouton de réglage de la sangle | 24 Bouton de réglage ISOFIX |
| 5 Sangle de réglage | 25 Piètement de charge |
| 6 Bouton de réglage de l'inclinaison | 26 Bouton de réglage du piètement de charge |
| 7 Bouton de rotation | 27 Connecteur ISOFIX |
| 8 Housses des harnais d'épaules | 28 Compartiment de rangement du manuel d'instructions |
| 9 Support pour bébé | |
| 10 Levier de réglage du support de tête | |



Installation du produit

Problèmes liés à l'installation

Ce dispositif de retenue pour enfants amélioré convient uniquement aux sièges de véhicules équipés de barres d'ancrage ISOFIX. (1)

N'UTILISEZ PAS le système de retenue pour enfants amélioré face à l'arrière dans des positions d'assise où un airbag frontal actif est installé. (2) Ceci peut créer un risque de blessures ou de mort. Veuillez vous reporter au manuel de l'utilisateur du véhicule pour plus d'informations.

N'INSTALLEZ PAS ce dispositif de retenue pour enfants amélioré sur des sièges de véhicules orientés latéralement ou face à l'arrière par rapport à la direction de déplacement du véhicule.

Veuillez consulter le manuel du propriétaire de votre véhicule pour connaître les positions d'installation recommandées ou suggérées. (3)

Il est recommandé d'installer ce dispositif de retenue pour enfants amélioré sur le siège arrière du véhicule. (4)

Utilisation du produit

Installation

- 1 - Fixez les guides ISOFIX aux barres d'ancrage ISOFIX du véhicule (voir le manuel du propriétaire du véhicule). (5) Les guides ISOFIX peuvent protéger la surface du siège du véhicule contre les déchirements. Ils peuvent aussi guider les connecteurs ISOFIX.
 - 2 - Dépliez le piètement de charge du compartiment de stockage (6)
 - 3 - Étendez les connecteurs ISOFIX en appuyant sur le bouton de réglage ISOFIX et en tirant sur le connecteur. (7)
 - 4 - Appuyez sur le bouton de réglage ISOFIX pour ajuster les connecteurs ISOFIX. Alignez les connecteurs avec les guides ISOFIX, puis insérez les deux connecteurs ISOFIX dans les barres d'ancrage ISOFIX. (8)
- ! Vérifiez que les deux connecteurs ISOFIX sont bien fixés aux barres d'ancrage ISOFIX du véhicule. Vous devriez entendre deux clics audibles, et les indicateurs des deux connecteurs ISOFIX doivent être complètement verts. (8)-1
- ! Vérifiez que la base est bien installée en tirant sur les deux connecteurs ISOFIX.

- 5 - Après avoir placé la base sur le siège du véhicule, étendez le piètement de charge jusqu'au sol (9). Lorsque le piètement de charge est correctement installé, l'indicateur du piètement de charge s'allume en vert. Il sera allumé en rouge si l'installation est incorrecte. (9)-2

Le piètement de charge a plusieurs positions. Lorsque l'indicateur de piètement de charge est rouge, cela signifie que le piètement de charge est dans une mauvaise position.

- ! Vérifiez que le piètement de charge est complètement en contact avec le plancher du véhicule.
- ! Appuyez sur le bouton de réglage du piètement de charge, puis réduisez sa longueur vers le haut. (9)-1

La base complètement assemblée est illustrée dans (10).

- ! Les connecteurs ISOFIX doivent être attachés et verrouillés sur les barres d'ancrage ISOFIX. (10)-1
- ! Le piètement de charge doit être installé correctement avec l'indicateur vert. (10)-2

- 6 - Pour retirer l'embase, appuyez d'abord sur le bouton de verrouillage secondaire (11)-1 puis sur le bouton (11)-2 sur les connecteurs ISOFIX avant de retirer l'embase du siège du véhicule. (11)
- 7 - Pour le transport, appuyez sur le bouton de réglage ISOFIX et remettez les connecteurs ISOFIX en position de rangement. (12)

Utilisation du dispositif de protection contre les chocs latéraux

- 1 - Le dispositif de retenue pour enfants amélioré est livré avec un module de protection contre les chocs latéraux amovible. Ce module de protection contre les chocs latéraux **DOIT** être utilisé du côté de la porte du véhicule. L'installation est indiquée dans (13).
- 2 - Appuyez sur le bouton d'ouverture pour retirer le module de protection contre les chocs latéraux. (14)

Réglage de la hauteur

pour le repose-tête et le harnais pour épaules

Veillez ajuster le support pour tête et vérifier si le harnais pour épaules est à la bonne hauteur conformément à (15)-(18).

- ! En cas d'utilisation face à l'arrière, la hauteur des harnais d'épaules doit être au niveau ou en dessous du sommet des épaules de l'enfant. (15)
- ! En cas d'utilisation en mode face à l'avant, la hauteur des harnais d'épaules doit être au niveau du sommet des épaules de l'enfant. (16)

Tirez le levier d'ajustement du support pour la tête (17) tout en tirant sur le support vers le haut ou le bas pour le placer sur l'une des 6 positions. Les positions du support de tête sont illustrées en (18).

Réglage de l'inclinaison

- 1- Appuyez sur le bouton de réglage de l'inclinaison, pour ajuster le dispositif de retenue pour enfants amélioré à la bonne position. (19)
- 2- Le mode face à l'arrière et le mode face à l'avant ont tous deux 5 positions d'inclinaison, les angles d'inclinaison sont indiqués comme suit. (20)

Mode face à l'arrière

(Taille de l'enfant 40cm-105cm / Poids de l'enfant ≤19kg)

- ! Veuillez installer le dispositif de retenue pour enfants amélioré sur le siège arrière du véhicule, puis placez l'enfant dans le dispositif de retenue pour enfants amélioré.
 - ! Veuillez pousser le verrouillage du pivotement vers la droite lorsque vous utilisez le dispositif de retenue pour enfants amélioré en mode face à l'arrière. (21)
- 1- Appuyez et maintenez enfoncé le bouton de réglage ISOFIX et poussez le dispositif de retenue pour enfants amélioré vers l'arrière jusqu'à ce qu'il entre en contact avec le dossier du siège du véhicule. (22)
 - 2- Appuyez et maintenez enfoncé le bouton de rotation afin de le tourner pour une installation/un retrait latéral plus facile de l'enfant, puis tournez le siège en position face à l'arrière. (23)

! Appuyez sur le bouton de rotation sur l'un des deux côtés pour tourner le dispositif de retenue pour enfants amélioré.

! Assurez-vous toujours que le dispositif de retenue pour enfants est en position verrouillée (face à l'arrière / face à l'avant) même lorsque l'enfant n'est pas dans le siège.

- 3- Appuyez sur le bouton de réglage du harnais, tout en tirant les harnais d'épaules jusqu'à la longueur souhaitée (Tirez depuis le dessous des rembourrages d'épaules fixes pour allonger). (24)
- 4- Déverrouillez la boucle des harnais en appuyant sur le bouton rouge. (25)
- 5- Placez les languettes de la boucle contre la zone magnétique sur le bord extérieur du dispositif de retenue pour enfants amélioré pour que les languettes soient maintenues en place. (26)

Utiliser l'insert pour bébé



Nous conseillons d'utiliser l'insert pour bébé intégral lorsque le bébé fait moins de 60cm et ≤13kg. Il peut être utilisé jusqu'à ce que les enfants deviennent trop grands pour l'insert.

L'insert pour bébé augmente la protection contre les impacts latéraux.

- 6- Placez l'enfant dans le dispositif de retenue pour enfants amélioré et passez les deux bras à travers le harnais.
 - 7- Fermez la boucle. Veuillez consulter (27).
 - 8- Faites tourner le dispositif de retenue pour enfants amélioré pour qu'il soit face à l'arrière. L'indicateur du dispositif de retenue pour enfants amélioré sera vert (28)
 - 9- Tirez sur la toile d'ajustement et ajustez-la à la bonne longueur pour vous assurer que votre enfant est correctement attaché. (29)
- ! Maintenez toujours l'enfant attaché dans le harnais et correctement serré en éliminant le jeu éventuel.

Mode face à l'avant

(Taille de l'enfant 76cm-105cm / Poids de l'enfant ≤19kg)
(Âge de l'enfant ≥15 mois)

- ! Veuillez installer le dispositif de retenue pour enfants amélioré sur le siège arrière du véhicule, puis placez l'enfant dans le dispositif de retenue pour enfants amélioré.
- ! Veuillez pousser le verrouillage du pivotement vers la gauche lorsque vous utilisez le dispositif de retenue pour enfants amélioré en mode face à l'avant. (30)
- 1 - Appuyez et maintenez le bouton de rotation enfoncé pour tourner pour une installation/un retrait latéral plus facile de l'enfant, puis tournez le siège en position face à l'arrière. (31)(32)
- ! Appuyez sur le bouton de rotation sur l'un des deux côtés pour tourner le dispositif de retenue pour enfants amélioré.
- ! Assurez-vous toujours que le dispositif de retenue pour enfants est en position verrouillée (face à l'arrière / face à l'avant) même lorsque l'enfant n'est pas dans le siège.
- 2 - Appuyez sur le bouton de réglage du harnais, tout en tirant les harnais d'épaules jusqu'à la longueur souhaitée (Tirez depuis le dessous des rembourrages d'épaules fixes pour allonger). (33)
- 3 - Déverrouillez la boucle des harnais en appuyant sur le bouton rouge. (34)
 - ! Retirez l'insert pour bébé en mode face à l'avant.
- 4 - Placez les languettes de la boucle contre la zone magnétique sur le bord extérieur du dispositif de retenue pour enfants amélioré pour que les languettes soient maintenues en place. (35)
- 5 - Si le dispositif de retenue pour enfants amélioré est bien fixé, l'indicateur du dispositif de retenue pour enfants amélioré sera de couleur verte. (36)
- 6 - Tirez sur la toile d'ajustement et ajustez-la à la bonne longueur pour vous assurer que votre enfant est correctement attaché. (37)
 - ! Maintenez toujours l'enfant attaché dans le harnais et correctement serré en éliminant le jeu éventuel.
 - ! **NE PAS** utiliser en mode face à l'avant si votre enfant ne mesure pas au moins 76 cm ET a moins de 15 mois.

Détacher et assembler les pièces souples

Appuyez sur le bouton rouge pour désengager la boucle. (38)

Suivez les étapes (39) - (44) pour détacher les parties souples.

Pour fixer à nouveau les parties souples, veuillez répéter les étapes ci-dessus dans l'ordre inverse.

Nettoyage et maintenance

Rangez l'insert pour bébé dans un endroit hors de portée de l'enfant.

Lavez les pièces souples à l'eau froide à moins de 30 C.

NE PAS repasser les pièces souples.

NE PAS nettoyer les pièces souples à sec ou à l'eau de Javel.

NE PAS utiliser de détergents neutres non dilués, de l'essence ou d'autres solvants organiques pour laver le dispositif de retenue pour enfants amélioré. Cela pourrait endommager le dispositif de retenue pour enfants amélioré.

NE PAS essorer les pièces souples avec trop de force. Des plis pourraient apparaître sur les pièces souples.

Laissez les pièces souples sécher à l'ombre.

Veuillez retirer le dispositif de retenue pour enfants amélioré du véhicule si vous ne prévoyez pas de l'utiliser pendant une longue période.

WICHTIG!
BEWAHREN SIE DIESE
ANWEISUNGEN
ZUM KÜNFTIGEN
NACHSCHLAGEN AUF:
SORGFÄLTIG LESEN

Inhalt

Produktinformationen	31
Garantie	
Kontakt	
Anforderungen an die Nutzung mit Kind	32
Warnung	33
Teileliste	35
Produkt aufbauen	37
Produkt verwenden	37
Reinigung und Wartung	42

Produktinformationen

Modellnummer: _____

Fertigungsdatum: _____

Garantie

Wir haben unsere hochwertigen Produkte so entwickelt, dass Sie mit Ihrem Kind und Ihrer Familie wachsen. Da wir uns durch unsere Produkte hervorheben, ist unser Sortiment je nach Produkt durch eine angepasste Garantie ab Kaufdatum abgedeckt. Bitte halten Sie bei Kontaktaufnahme mit uns Kaufbeleg, Modellnummer und Fertigungsdatum bereit.

Garantieinformationen finden Sie unter:

www.nunababy.com

Klicken Sie auf der Startseite auf den „Garantie“-Link.

Kontakt

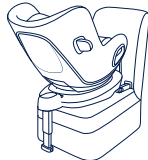
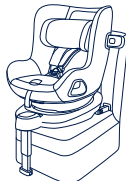
Wenden Sie sich für Ersatzteile, Service und weitere Garantiefragen an unseren Kundendienst.





info@nunababy.com

www.nunababy.com

Anforderungen an die Nutzung mit Kind

Dieses Produkt eignet sich für Kinder, die folgende Anforderungen erfüllen:

Körpergröße des Kindes	Installationsmodus	Abbildung zur Installation	Referenzalter; Sitzposition;	Anleitung für Babyeinsatz
40 bis 105 cm/ ≤19kg	Rückwärts gerichteter Modus		< 4 Jahre Position 1-5;	Sie sollten den vollständigen Kleinkindensatz verwenden, solange das Baby weniger als 60 cm misst und 13 kg oder weniger wiegt. Kann verwendet werden, bis das Kind aus dem Einsatz herausgewachsen ist. Der Babyeinsatz ist mit einem seitlichen Aufprallschutz verstärkt.
76 bis 105 cm/ ≤19kg	Vorwärts gerichteter Modus		15 Monate bis 4 Jahre Position 1-5;	Entfernen Sie den Babykeil im Fahrtrichtung-Modus.

Alter des Kindes	Installationsmodus	Installation	Lenkstopp
< 15 Monate	Rückwärts gerichteter Modus		
> 15 Monate	Rückwärts/ vorwärts gerichteter Modus		

- 1 - Dies ist ein fortschrittliches „i-Size“-Kinderrückhaltesystem. Es ist gemäß UN-Richtlinie Nr. 129 für die Verwendung in „i-Size“-kompatiblen Fahrzeugsitzpositionen zugelassen, wie vom Fahrzeughersteller im Handbuch Ihres Fahrzeugs aufgeführt ist.
- 2 - Bitte wenden Sie sich im Zweifelsfall an den Hersteller oder Händler des fortschrittlichen Kinderrückhaltesystems.

! WARNUNG

Nichtbeachtung dieser Warnungen und Anweisungen könnte zu schweren Verletzungen oder zum Tode führen.

ACHTEN Sie darauf, feste Teile und Kunststoffteile eines fortschrittlichen Kinderrückhaltesystems so zu platzieren und zu installieren, dass sie nicht in einem Tür Sitz oder a Fahrzeugtür eingeklemmt werden.

Verwenden Sie das entgegen der Fahrtrichtung ausgerichtete Kinderrückhaltesystem **NICHT** in Sitzpositionen, an denen ein aktiver Front-Airbag installiert ist.

Zur Nutzung dieses fortschrittlichen Kinderrückhaltesystems entsprechend der UN-Richtlinie Nr. 129 muss Ihr Kind die folgenden Voraussetzungen erfüllen.

Blick gegen die Fahrtrichtung:
Körpergröße des Kindes 40 – 105 cm/ Gewicht des Kindes $\leq 19\text{kg}$:

Blick in Fahrtrichtung:
Körpergröße des Kindes 76 – 105 cm/Gewicht des Kindes $\leq 19\text{kg}$:

WICHTIG - NICHT IN FAHRTRICHTUNG VERWENDEN, BEVOR DAS KIND NICHT EIN ALTER VON 15 MONATEN ÜBERSCHRITTEN HAT (siehe Anweisungen)

Alle Standbein müssen den Fahrzeugboden berühren und alle Haltegurte müssen entsprechend dem Körper des Kindes angepasst werden. Die Gurte dürfen nicht verdreht sein.

Stellen Sie sicher, dass der Beckengurt so tief wie möglich angelegt ist, damit das Becken sicher gehalten wird.

Dieses Kinderrückhaltesystem sollte ersetzt werden, wenn sie übermäßiger Belastung in einem Unfall ausgesetzt waren. Ein Unfall kann es beschädigen, ohne sichtbare Spuren aufzuweisen.

Beachten Sie die Gefahren durch nicht von einer zuständigen Stelle zugelassenen Veränderungen oder Ergänzungen an diesem Produkt. Beachten Sie außerdem die Gefahren bei Nichteinhaltung der Installationsanweisungen des Herstellers eines Kinderrückhaltesystems.

Bitte platzieren Sie dieses Kinderrückhaltesystem nicht im direkten Sonnenlicht; andernfalls kann es zu heiß für die Haut Ihres Kindes werden. Fassen Sie das Kinderrückhaltesystem zum Testen der Temperatur immer erst an, bevor Sie das Kind hineinsetzen.

Kinder dürfen nicht unbeaufsichtigt im verstärkten Kinderrückhaltesystem zurückgelassen werden.

Gepäck und andere Gegenstände, die bei einem Unfall Verletzungen verursachen könnten, sollten angemessen gesichert werden.

Das fortschrittliche Kinderrückhaltesystem passt bei Verwendung an einer dieser Positionen möglicherweise nicht in alle zugelassenen Fahrzeuge.

Das fortschrittliche Kinderrückhaltesystem sollte **NICHT** ohne die Textilteile verwendet werden.

Die Textilteile sollten ausschließlich durch die vom Hersteller empfohlenen Teile ersetzt werden, da sie das Verhalten des Kinderrückhaltesystems wesentlich beeinflussen.

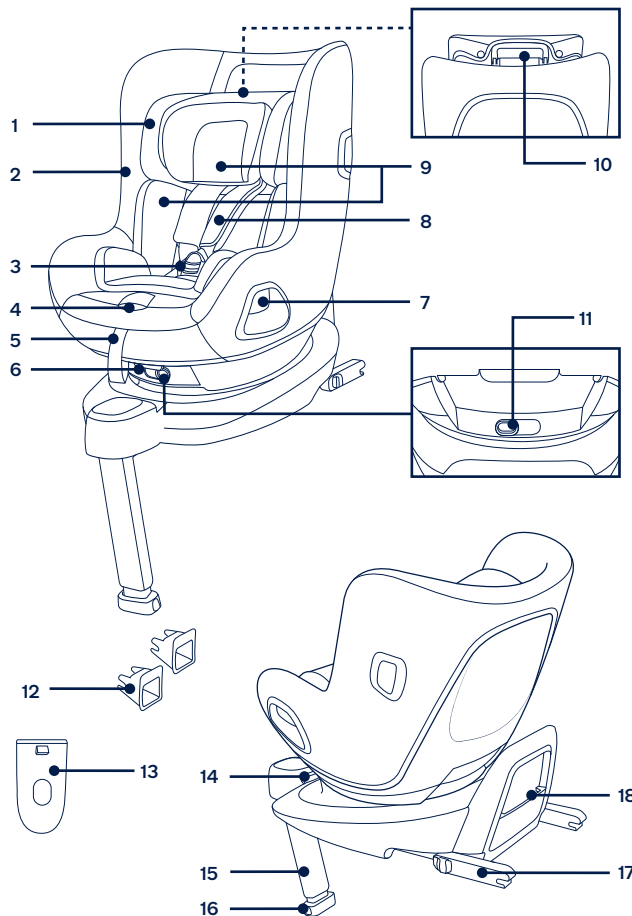
Die Anweisungen sollten während der Einsatzzeit beim verstärkten Kinderrückhaltesystem aufbewahrt werden.

Bitte beachten Sie außerdem die Anweisungen und Warnhinweise im Handbuch des Fahrzeugherstellers.

Teileliste

Überprüfen Sie vor der Montage, ob alle Teile vorhanden sind. Falls etwas fehlen sollte, wenden Sie sich an Ihren Händler vor Ort. Für die Montage werden keine Werkzeuge benötigt.

- | | | | |
|----|-------------------------|----|--|
| 1 | Kopfstütze | 11 | Lenkstopp |
| 2 | Sitzauflage | 12 | ISOFIX-Führungen |
| 3 | Verschluss | 13 | Seitenaufprallschutz-Schale |
| 4 | Gurtverstellknopf | 14 | ISOFIX-Einstellknopf |
| 5 | Gurtführungseinstellung | 15 | Standbein |
| 6 | Neigungseinstellknopf | 16 | Standbein-Einstellknopf |
| 7 | Drehknopf | 17 | ISOFIX-Anschluss |
| 8 | Schultergurtabdeckungen | 18 | Fach zur Aufbewahrung der Gebrauchsanweisung |
| 9 | Babyeinsatz | | |
| 10 | Kopfstützenversteller | | |



Produkt aufbauen

Hinweise zur Installation

Dieses fortschrittliche Kinderrückhaltesystem eignet sich nur für Fahrzeugsitze mit ISOFIX-Verankerungsstange. (1)

Verwenden Sie das entgegen der Fahrtrichtung ausgerichtete Kinderrückhaltesystem **NICHT** in Sitzpositionen, an denen ein aktiver Front-Airbag installiert ist. (2) Andernfalls drohen schwere oder sogar tödliche Verletzungen. Weitere Informationen entnehmen Sie bitte dem Fahrzeughandbuch.

Befestigen Sie dieses fortschrittliche Kinderrückhaltesystem **NICHT** an Fahrzeugsitzen, die in Bezug auf die Fahrtrichtung zur Seite oder nach hinten weisen.

Die empfohlenen Installationspositionen entnehmen Sie bitte der Bedienungsanleitung Ihres Fahrzeugs. (3)

Sie sollten dieses fortschrittliche Kinderrückhaltesystem auf dem Rücksitz installieren. (4)

Produkt verwenden

Installation

1 - Bringen Sie die ISOFIX-Führungen an den ISOFIX-Verankerungsstangen des Fahrzeugs an (siehe Fahrzeughandbuch). (5) Die ISOFIX-Führungen können die Oberfläche des Fahrzeugsitzes vor Verschleiß schützen. Sie sind auch eine Führung für die ISOFIX-Befestigungen.

2 - Klappen Sie das Standbein aus dem Aufbewahrungsfach auf. (6)

3 - Ziehen Sie die ISOFIX-Befestigungen aus, indem Sie den ISOFIX-Einstellknopf drücken, während Sie an der Befestigung ziehen. (7)

4 - Drücken Sie zum Anpassen der ISOFIX-Verbinder den ISOFIX-Freigabeknopf. Richten Sie die ISOFIX-Befestigungen mit den ISOFIX-Führungen aus und rasten Sie beide ISOFIX-Befestigungen in den ISOFIX-Verankerungsstangen ein. (8)

! Achten Sie darauf, dass beide ISOFIX-Befestigungen gut mit den ISOFIX-Verankerungsstangen des Fahrzeugs verbunden sind. Sie sollten zwei Klickgeräusche hören und die Anzeigen an beiden ISOFIX-Verbindungen sollten vollständig grün sein. (8)-1

! Vergewissern Sie sich, dass die Basis sachgemäß installiert ist, indem Sie an beiden ISOFIX-Befestigungen ziehen.

5 - Ziehen Sie das Standbein bis zum Boden aus, nachdem Sie die Basis auf dem Fahrzeugsitz platziert haben (9). Wenn das Standbein richtig installiert ist, wird die Standbeinanzeige grün. Rot bedeutet, dass die Installation nicht ordnungsgemäß ausgeführt wurde. (9)-2

Das Standbein hat mehrere Positionen. Wenn die Standbeinanzeige rot ist, befindet sich das Standbein in der falschen Position.

! Vergewissern Sie sich, dass das Standbein komplett auf dem Fahrzeugboden aufliegt.

! Drücken Sie den Standbein-Einstellknopf zusammen. Verkürzen Sie dann das Standbein, indem Sie es nach oben schieben. (9)-1

Die vollständig montierte Basis wird gezeigt in (10).

! Die ISOFIX-Befestigungen müssen Balken den ISOFIX-Verankerungsstangen verbunden und dort eingerastet sein. (10)-1

! Das Standbein muss richtig installiert sein, was durch eine grüne Anzeige überprüft werden kann. (10)-2

6 - Drücken Sie zum Entfernen der Basis zunächst den zweiten Verschlussknopf (11)-1 angezeigt den Knopf (11)-2 an den ISOFIX-Verbindern, bevor Sie die Basis vom Autositz abnehmen. (11)

7 - Zum Transportieren den ISOFIX-Einstellknopf drücken und die ISOFIX-Befestigungen zurück in die Aufbewahrungsposition bewegen. (12)

Seitlichen Aufprallschutz verwenden

1 - Das fortschrittliche Kinderrückhaltesystem wird mit abnehmbarem seitlichem Aufprallschutz geliefert. Dieser seitliche Schutz Aufprallschutz **MUSS** auf der Türseite des Fahrzeugs verwendet werden. Installation in (13) abgebildet.

2 - Drücken Sie den Freigabeknopf zum Entfernen des Seitenaufprallschutzes. (14)

Höhenanpassung

für Kopfstütze und Schultergurte

Bitte passen Sie die Kopfstütze an und prüfen, ob sich der Schultergurt auf der richtigen Höhe befindet (vgl. (15)-(18)).

! Bei Verwendung im rückwärts gerichteten Modus müssen die Schultergurte gleich hoch wie die Oberseite der Schultern des Kindes oder knapp darunter verlaufen. (15)

! Bei Verwendung in Fahrtrichtung muss die Höhe der Schultergurte der Höhe der Schultern des Kindes entsprechen. (16)

Ziehen Sie den Kopfstützeinstellhebel (17) und schieben Sie die Kopfstütze dann herauf oder herunter, bis sie in einer der 6 Positionen einrastet. Die Positionen der Kopfstütze sind in Abb. (18) dargestellt.

Neigungseinstell

- 1- Drücken Sie den Neigungseinstellknopf zur Anpassung der Position des fortschrittlichen Kinderrückhaltesystems. (19)
- 2- Sowohl der Modus in Fahrtrichtung als auch der rückwärts gerichtete Modus haben 5 Neigungspositionen, die Neigungswinkel werden gezeigt in. (20)

Rückwärts gerichteter Modus

(Körpergröße des Kindes 40 – 105 cm/ Gewicht des Kindes ≤ 19 kg)

! Installieren Sie das fortschrittliche Kinderrückhaltesystem am Rücksitz eines Fahrzeugs und setzen Sie das Kind dann in das fortschrittliche Kinderrückhaltesystem.

! Schieben Sie den Lenkstoff nach rechts, wenn das erweiterte Kinderrückhaltesystem im Modus entgegen der Fahrtrichtung verwendet wird. (21)

- 1- Halten Sie den ISOFIX-Einstellknopf gedrückt und drücken Sie das erweiterte Kinderrückhaltesystem zurück, bis es die Rückenlehne des Fahrzeugsitzes berührt. (22)
- 2- Drücken und halten Sie den Drehknopf, damit Sie das Kind leichter seitlich hineinsetzen/herausnehmen können. Drehen Sie den Sitz dann in die rückwärts gerichtete Position. (23)

! Drücken Sie den Drehknopf an beiden Seiten, damit Sie das fortschrittliche Kinderrückhaltesystem drehen können.

! Achten Sie immer darauf, dass das Kinderrückhaltesystem verriegelt ist (entgegen der Fahrtrichtung / in Fahrtrichtung), selbst wenn sich das Kind nicht darin befindet.

- 3- Drücken Sie den Gurteinstellknopf, während Sie die Schultergurte in die gewünschte Länge bringen (ziehen Sie zum Verlängern von unterhalb der befestigten Schulterpolster). (24)
- 4- Lösen Sie den Verschluss der Gurte, indem Sie den roten Knopf drücken. (25)
- 5- Platzieren Sie die Steckzungen am Magnetbereich an der Außenseite des fortschrittlichen Kinderrückhaltesystems so, dass die Zungen gehalten werden. (26)

Verwendung des Babyeinsatz



Sie sollten den vollständigen Kleinkindeinsatz verwenden, solange das Baby weniger als 60 cm misst und 13 kg oder weniger wiegt. Kann verwendet werden, bis das Kind aus dem Einsatz herausgewachsen ist.

Der Babyeinsatz ist mit einem seitlichen Aufprallschutz verstärkt.

- 6- Setzen Sie das Kind in das fortschrittliche Kinderrückhaltesystem und führen Sie beide Arme durch die Gurte.
 - 7- Rasten Sie den Verschluss ein. Bitte beachten Sie (27).
 - 8- Drehen Sie das fortschrittliche Kinderrückhaltesystem so, dass es entgegen der Fahrtrichtung ausgerichtet ist. Die Anzeige am fortschrittlichen Kinderrückhaltesystem wird grün. (28)
 - 9- Ziehen Sie die Gurtführung herab und stellen Sie sie auf die passende Länge ein, so dass Ihr Kind sicher ordnungsgemäß wird. (29)
- ! Achten Sie stets darauf, dass Ihr Kind sicher angeschnallt und gut befestigt ist, indem Sie jeglichen Durchhang beseitigen.

Vorwärts gerichteter Modus

(Größe des Kindes 76 bis 105 cm / Gewicht des Kindes ≤ 19 kg)
(Alter des Kindes ≥ 15 Monate)

- ! Installieren Sie das fortschrittliche Kinderrückhaltesystem am Rücksitz eines Fahrzeugs und setzen Sie das Kind dann in das fortschrittliche Kinderrückhaltesystem.
- ! Schieben Sie den Lenkstoff nach links, wenn das erweiterte Kinderrückhaltesystem im Modus in Fahrtrichtung verwendet wird. (30)
- 1- Halten Sie den Drehknopf zum Drehen gedrückt, damit Sie das Kind einfacher hineinsetzen und herausnehmen können. Drehen Sie den Sitz dann zurück in die Position in Fahrtrichtung. (31)(32)
- ! Drücken Sie den Drehknopf an beiden Seiten, damit Sie das fortschrittliche Kinderrückhaltesystem drehen können.
- ! Achten Sie immer darauf, dass das Kinderrückhaltesystem verriegelt ist (entgegen der Fahrtrichtung / in Fahrtrichtung), selbst wenn sich das Kind nicht darin befindet.
- 2- Drücken Sie den Gurteinstellknopf, während Sie die Schultergurte in die gewünschte Länge bringen (ziehen Sie zum Verlängern von unterhalb der befestigten Schulterpolster). (33)
- 3- Lösen Sie den Verschluss der Gurte, indem Sie den roten Knopf drücken. (34)
- ! Entfernen Sie den Babykeil im Fahrtrichtung-Modus.
- 4- Platzieren Sie die Steckzungen am Magnetbereich an der Außenseite des fortschrittlichen Kinderrückhaltesystems so, dass die Zungen gehalten werden. (35)
- 5- Drehen Sie das fortschrittliche Kinderrückhaltesystem so, dass es in Fahrtrichtung ausgerichtet ist. Die Anzeige am fortschrittlichen Kinderrückhaltesystem wird grün. (36)
- 6- Ziehen Sie die Gurtführung herab und stellen Sie sie auf die passende Länge ein, so dass Ihr Kind sicher ordnungsgemäß wird. (37)
- ! Achten Sie stets darauf, dass Ihr Kind sicher angeschnallt und gut befestigt ist, indem Sie jeglichen Durchhang beseitigen.
- ! Verwenden Sie das Produkt **NICHT** in Fahrtrichtung, bevor das Kind mindestens 76 cm groß UND 15 Monate alt ist.

Textilteile anbringen und entfernen

Drücken Sie den roten Knopf zum Lösen der Schnalle. (38)

Befolgen Sie zum Abnehmen der Textilteile die Schritte (39)-(44).

Bringen Sie die Textilteile wieder an, indem Sie die obigen Schritte in umgekehrter Reihenfolge befolgen.

Reinigung und Wartung

Bitte bewahren Sie den Babyeinsatz außerhalb der Reichweite von Kindern auf.

Bitte waschen Sie die Textilteile mit kaltem Wasser unter 30 °C.

Sie dürfen die Textilteile **NICHT** bügeln.

Sie dürfen die Textilteile **NICHT** bleichen oder in die chemische Reinigung geben.

Reinigen Sie dieses fortschrittliche Kinderrückhaltesystem **NICHT** mit unverdünntem, neutralen Reinigungsmittel, Benzin oder einem anderen organischen Lösungsmittel. Diese können das fortschrittliche Kinderrückhaltesystem beschädigen.

Wringen Sie die Textilteile **NICHT** kräftig aus. Andernfalls könnten an den Textilteilen Falten zurückbleiben.

Bitte hängen Sie die Textilteile zum Trocknen im Schatten auf.

Bitte entfernen Sie das fortschrittliche Kinderrückhaltesystem vom Fahrzeugsitz, wenn es längere Zeit nicht verwendet wird.

**BELANGRIJK!
DEZE INSTRUCTIES
BEWAREN VOOR
LATER GEBRUIK:
AANDACHTIG LEZEN**

Inhoud

Productinformatie	45
Garantie	
Contact	
Vereisten kindergebruik	46
Waarschuwing	47
Onderdelenlijst	49
Installeren product	51
Gebruik product	51
Reiniging en onderhoud	56

Productinformatie

Modelnummer: _____

Fabricagedatum: _____

Garantie

Wij hebben onze hoogwaardige producten opzettelijk zo ontworpen dat ze kunnen mee kunnen groeien met zowel uw kind als uw familie. Omdat wij achter ons product staan, wordt onze uitrusting gedekt door een aangepaste garantie per product, beginnend op de dag van aanschaf. Houd het aankoopbewijs, het modelnummer en de fabricagedatum klaar als u contact met ons opneemt.

Ga voor garantie-informatie naar:
www.nunababy.com
 Klik op de link "Garantie" op de homepage.

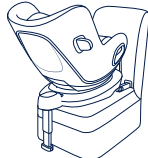
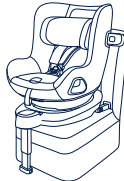
Contact



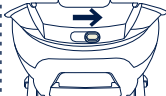



Neem contact op met onze klantenservice-afdelingen voor vervangende onderdelen, service of aanvullende vragen over de garantie.

info@nunababy.com
www.nunababy.com

Vereisten kindergebruik

Dit product is geschikt voor gebruik met kinderen die aan de volgende eisen voldoen:

Grootte kind	Installatie-stand	Afbeelding voor installatie	Referentieleeftijd	Stoelpositie	Instructies voor plaatsen kind
40cm-105cm/ ≤19kg	Achteruit kijkende modus		<4 jaar	Stand 1 - 5	We adviseren het gebruik van het volledige baby-inzetstuk zolang de baby kleiner is dan 60cm en ≤13kg. Het kan worden gebruikt tot ze uit het inzetstuk groeien. Het babyinzetstuk verbetert de bescherming tegen zijdelingse inslagen.
76cm-105cm/ ≤19kg	Vooruit kijkende modus		15 maanden tot 4 jaar	Stand 1 - 5	Verwijder het baby-inzetstuk in de vooruit kijkende modus.

Leeftijd van kind	Installatie-stand	Installatie		Draaislot
<15M	Achteruit kijkende modus			
>15M	Achteruit/ Vooruit kijkende modus			

- Dit is een "i-Size" verbeterd kinderzitstelsel. Het is goedgekeurd volgens VN-verordening nr. 129 voor gebruik in voor "i-Size geschikte" standen van autostoelen zoals is aangegeven door de fabrikant van de auto in de handleiding.
- Neem in geval van twijfel contact op met de fabrikant van het verbeterde kinderzitstelsel of de verkoper.

WAARSCHUWING

Niet-naleving van de waarschuwingen en de instructies kan ernstig letsel of de dood veroorzaken.

ZORG ERVOOR dat de stugge items en plastic onderdelen van een verbeterd kinderzitstelsel zo moeten worden geplaatst en geïnstalleerd dat ze niet klem kunnen komen door een verplaatsbare stoel of in een deur van het voertuig.

Gebruik **NIET** het naar achteren kijkende verbeterde kinderzitstelsel in stoelposities waarbij een actieve frontale airbag is geïnstalleerd.

Om dit verbeterde kinderzitje volgens de VN-verordening nr. 129 te kunnen gebruiken, moet uw kind aan de volgende voorwaarden voldoen.

Naar achteren kijkend:
Lengte kind 40 cm-105cm/ gewicht kind ≤ 19 kg;

Naar voren kijkend:
Lengte kind 76cm-105cm/ gewicht kind ≤ 19 kg;

BELANGRIJK - NIET VOORUIT KIJKEND GEBRUIKEN VOORDAT HET KIND OUDER IS DAN 15 MAANDEN (raadpleeg instructies)

Elke steunvoet moet in contact staan met de vloer van het voertuig en alle riemen die het kind vastzetten, moeten worden afgesteld op het lichaam van het kind. De riemen mogen niet gedraaid zijn.

Zorg ervoor dat elke middelriem laag wordt gedragen, zodat het bekken stevig vast zit.

Dit verbeterde kinderzitje moet worden vervangen als ze onderworpen zijn geweest aan zware spanningen bij een ongeluk. Een ongeluk kan daar schade aan veroorzaken die u niet kunt zien.

Houd rekening met het gevaar van het aanbrengen van veranderingen of aanvullingen aan het apparaat zonder goedkeuring van de aangewezen instantie, en het gevaar van het niet nauwkeurig volgen van de aanwijzingen als geleverd door de fabrikant van het verbeterde kinderzitje.

Houd dit verbeterde kinderzitje uit de buurt van direct zonlicht, anders kan het te heet worden voor de huid van uw kind. Test altijd de temperatuur door het aanraken van het verbeterde kinderzitje voordat u het kind erin plaatst.

Kinderen mogen niet zonder toezicht achter worden gelaten in het verbeterde kinderzitje.

Bagage en andere voorwerpen die in geval van botsing letsel kunnen veroorzaken, moeten goed zijn vastgezet.

Het verbeterde kinderzitje past wellicht niet in alle goedgekeurde voertuigen bij gebruik in een van deze standen.

Het verbeterde kinderzitje mag **NIET WORDEN GEBRUIKT** zonder de zachte onderdelen.

Vervang de zachte onderdelen alleen door de onderdelen die door de fabrikant worden aanbevolen omdat de zachte onderdelen een integraal onderdeel vormen van de werking van het kinderzitje.

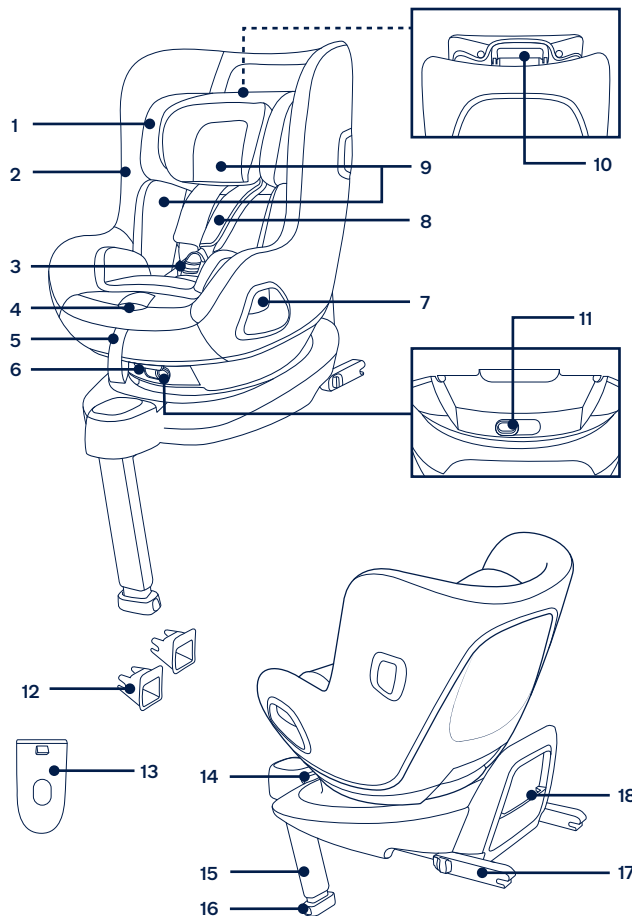
De instructies moeten gedurende de gehele levensduur worden bewaard bij het verbeterde kinderzitje.

Let tevens op de instructies en waarschuwingen in het handboek van de fabrikant van het voertuig.

Onderdelenlijst

Zorg dat alle onderdelen voor het opslaan droog zijn. Als er items ontbreken of beschadigd zijn, kunt u contact opnemen met uw leverancier. Voor de montage is geen gereedschap nodig.

- | | | | |
|----|------------------------------|----|---------------------------------|
| 1 | Hoofdsteun | 11 | Draaislot |
| 2 | Zitkussen | 12 | ISOFIX-geleiders |
| 3 | Gesp | 13 | Bescherming voor inslag opzij |
| 4 | Instelknop spanband | 14 | ISOFIX-instelknop |
| 5 | Instellen gordel | 15 | Steunvoet |
| 6 | Instelknop schuine stand | 16 | Instelknop beenruimte |
| 7 | Draaiknop | 17 | ISOFIX-aansluiting |
| 8 | Afdekkingen schouderriemen | 18 | Opslagvak instructiehandleiding |
| 9 | Baby-inzetstuk | | |
| 10 | Instelhendel voor hoofdsteun | | |



Installeren product

Opletten bij installatie

Dit verbeterde kinderzitsysteem is alleen geschikt voor autostoelen uitgerust met ISOFIX-ankerbalken. (1)

Gebruik **NIET** het naar achteren kijkende verbeterde kinderzitsysteem in stoelposities waarbij een actieve frontale airbag is geïnstalleerd. (2) Dit kan de dood of ernstig letsel als gevolg hebben. Zie de handleiding van het voertuig voor meer informatie.

Installeer dit verbeterde kinderzitsysteem **NIET** op stoelen die opzij of naar achteren kijken ten opzichte van de rijrichting van het voertuig.

Raadpleeg de gebruikershandleiding van uw auto voor aanbevolen of gesuggereerde installatieposities. (3)

Aanbevolen wordt om dit verbeterde kinderzitje op de autostoel achter te plaatsen. (4)

Gebruik product

Installatie

- 1 - Bevestig de ISOFIX-geleiders aan de ISOFIX-ankerbalken van het voertuig (zie de handleiding van het voertuig). (5) De ISOFIX-geleiders voorkomen dat het oppervlak van de autostoel gescheurd wordt. Ze kunnen tevens de ISOFIX-aansluitingen geleiden.
- 2 - Vouw de steunvoet uit het opslagvak. (6)
- 3 - Verleng de ISOFIX-aansluitingen door op de ISOFIX-instelknop te drukken terwijl u trekt aan de aansluiting. (7)
- 4 - Druk op de ISOFIX-instelknop om de ISOFIX-aansluitingen in te stellen. Lijn de ISOFIX-aansluitingen uit met de ISOFIX-ankerpunten en klik beide ISOFIX-aansluitingen op de ISOFIX-ankerbalken. (8)
 - ! Zorg ervoor dat beide ISOFIX-aansluitingen stevig zijn bevestigd aan de ISOFIX-ankerbalken van het voertuig. U moet twee klikken horen en de kleuren van de indicatoren op beide ISOFIX-aansluitingen moeten groen zijn. (8)-1
 - ! Controleer of de voet goed vast zit door aan beide ISOFIX-aansluitingen te trekken.

- 5 - Nadat de voet op de autostoel is geplaatst, moet u de steunvoet tot de vloer verlengen (9). Wanneer de steunvoet juist is geïnstalleerd, brandt de steunvoetindicator groen. Rood wordt getoond indien onjuist geïnstalleerd. (9)-2

De steunvoet heeft meerdere standen. Als de steunvoetindicator rood is, betekent dit dat de steunvoet in de verkeerde stand staat.

- ! Zorg ervoor dat de steunvoet volledig in contact is met de vloer van het voertuig.
- ! Knijp de instelknop van de steunvoet in en kort de steunvoet in naar boven. (9)-1

De volledig gemonteerde voet is afgebeeld als (10).

- ! De ISOFIX-aansluitingen moeten worden aangesloten en vergrendeld op de ISOFIX-ankerbalken. (10)-1
- ! De steunvoet moet goed zijn geplaatst en de indicator moet groen zijn. (10)-2

- 6 - Om de voet te verwijderen, drukt u eerst op de tweede vergrendelingsknop (11)-1 en daarna op de knop (11)-2 op de ISOFIX-aansluitingen voordat u de voet van de autostoel verwijdert. (11)
- 7 - Voor transport terug u op de ISOFIX-instelknop en beweegt u de ISOFIX-aansluitingen terug in de opslagpositie. (12)

Gebruik de afscherming voor inslag opzij

- 1 - Dit verbeterde kinderzitje wordt geleverd met verwijderbare afscherming voor inslag opzij. Deze bescherming voor inslag opzij **MOET** worden gebruikt aan de deurzijde van het voertuig. Installatie getoond in (13).
- 2 - Druk op de ontgrendelknop om de bescherming voor inslag opzij te verwijderen. (14)

Hoogteafstelling

voor hoofdsteun en schouderriemen

Pas de hoogtesteun aan en controleer of de schouderriemen op de juiste hoogte zijn volgens (15)-(18).

- ! Bij gebruik in de achteruit kijkende modus moet de hoogte voor de schouderriemen gelijklopen met of net onder de schouders van het kind staan. (15)

- ! Bij gebruik in de vooruit kijkende stand moet de hoogte voor de schouderriemen gelijklopen met de bovenkant van de schouders van het kind. (16)

Trek aan de hendel voor de afstelling van de hoofdsteen (17), en trek tegelijkertijd de hoofdsteen op of omlaag tot het in een van de 6 standen klikt. De standen van de hoofdsteen zijn afgebeeld in (18).

Instelling schuine stand

- 1- Knijp de instelknop schuinstand in om het verbeterde kinderzitje in de juiste stand te zetten. (19)
- 2- Zowel de achteruit kijkende modus als de vooruit kijkende modus heeft 5 schuine standen. De hoeken van de stand zijn afgebeeld in. (20)

Achteruit kijkende modus

(Lengte kind 40 cm-105cm/ gewicht kind ≤19kg)

- ! Installeer het verbeterde kinderzitje op de achterbank en plaats het kind vervolgens in het verbeterde kinderzitje.
 - ! Schuif de draaivergrendeling naar rechts bij gebruik van het verbeterde kinderzitje in de achteruit kijkende modus. (21)
- 1- Houd de ISOFIX-instelknop ingedrukt en duw het systeem van het verbeterde kinderzitje naar achteren totdat het in contact komt met de rugleuning van de autostoel. (22)
 - 2- Houd de draaiknop ingedrukt om te draaien voor eenvoudiger plaatsen/ uitnemen van het kind aan de zijkant, en draai de stoel vervolgens naar de achteruit kijkende stand. (23)
 - ! Druk op de draaiknop op een van beide zijden voor het draaien van het verbeterde kinderzitje.
 - ! Zorg er altijd voor dat het kinderzitje in de vergrendelde stand staat (naar achteren kijkend / naar voren kijkend), zelfs wanneer het kind er niet in zit.
 - 3- Druk op de instelknop voor de gordels terwijl u de schoudergordels uittrekt naar de gewenste lengte (trek vanaf onder de vaste schouderkussens om te verlengen). (24)
 - 4- Maak de gesp van de gordels los door op de rode knop te drukken. (25)

- 5- Plaats de gesp tongen tegen het magnetische gebied op de buitenzijde van het verbeterde kinderzitje zodat de tongen op de plaats worden gehouden. (26)

Het baby-inzetstuk gebruiken



We adviseren het gebruik van het volledige baby-inzetstuk zolang de baby kleiner is dan 60cm en ≤13kg. Het kan worden gebruikt tot ze uit het inzetstuk groeien.

Het babyinzetstuk verbetert de bescherming tegen zijdelingse inslagen.

- 6- Zet het kind in het verbeterde kinderzitje en steek beide armen door de riemen.
- 7- Maak de gesp vast. Raadpleeg (27).
- 8- Draai het verbeterde kinderzitje naar achteruit kijkend. De indicator van het verbeterde kinderzitje wordt groen. (28)
- 9- Trek de rieminstelling omlaag en stel hem op de juiste lengte af om ervoor te zorgen dat uw kind goed vast zit. (29)
 - ! Houd het kind altijd goed vast in de gordels door het wegnemen van alle vrije ruimte.

Vooruit kijkende modus

(Lengte kind 76cm-105cm / gewicht kind ≤19kg)

(Leeftijd kind ≥ 15 maanden)

- ! Installeer het verbeterde kinderzitje op de achterbank en plaats het kind vervolgens in het verbeterde kinderzitje.
 - ! Schuif de draaivergrendeling naar links bij gebruik van het verbeterde kinderzitje in de vooruit kijkende modus. (30)
- 1- Houd de draaiknop ingedrukt om te draaien voor eenvoudiger plaatsen/ uitnemen van het kind aan de zijkant, en draai de stoel vervolgens naar de vooruit kijkende stand. (31)(32)
 - ! Druk op de draaiknop op een van beide zijden voor het draaien van het verbeterde kinderzitje.

- ! Zorg er altijd voor dat het kinderzitje in de vergrendelde stand staat (naar achteren kijkend / naar voren kijkend), zelfs wanneer het kind er niet in zit.
- 2 - Druk op de instelknop voor de gordels terwijl u de schoudergordels uittrekt naar de gewenste lengte (trek vanaf onder de vaste schouderkussens om te verlengen). (33)
- 3 - Maak de gesp van de gordels los door op de rode knop te drukken. (34)
 - ! Verwijder het baby-inzetstuk in de vooruit kijkende modus.
- 4 - Plaats de gespongen tegen het magnetische gebied op de buitenzijde van het verbeterde kinderzitje zodat de tongen op de plaats worden gehouden. (35)
- 5 - Draai het verbeterde kinderzitje naar vooruit kijkend, en de indicator van het verbeterde kinderzitje wordt groen. (36)
- 6 - Trek de rieminstelling omlaag en stel hem op de juiste lengte af om ervoor te zorgen dat je kind goed vast zit. (37)
 - ! Houd het kind altijd goed vast in de gordels door het wegnemen van alle vrije ruimte.
 - ! Gebruik **NIET** voren kijkend tenzij uw kind ten minste 76cm EN 15 maanden oud is.

Zachte voorwerpen los- en vastmaken

Druk op de rode knop om de riem te ontgrendelen. (38)

Volg de stappen (39) - (44) voor het losmaken van zachte voorwerpen.

Om het zachte materiaal opnieuw te bevestigen, herhaalt u de bovenstaande stappen in omgekeerde volgorde.

Reiniging en onderhoud

Berg het baby-inzetstuk ergens buiten het bereik van het kind op.

Was de zachte onderdelen met koud water onder de 30°C.

De zachte voorwerpen **NIET** strijken.

De zachte voorwerpen **NIET** bleken of laten stomen.

Gebruik **GEEN** onverdund neutraal schoonmaakmiddel, benzine of andere organische materialen om het verbeterde kinderzitje te wassen. Dat kan het verbeterde kinderzitje beschadigen.

De zachte onderdelen **NIET** draaien voor drogen met veel kracht. Dit kan kreuken achterlaten in de zachte onderdelen.

Laat zachte onderdelen hangend drogen in de schaduw.

Haal het verbeterde kinderzitje uit de autostoel als het voor langere tijd niet wordt gebruikt.

**IMPORTANTE!
CONSERVARE
LE ISTRUZIONI
PER FUTURE
CONSULTAZIONI:
*LEGGERE
ATTENTAMENTE***

Indice

Informazioni sul prodotto	59
Garanzia	
Contatti	
Requisiti del bambino per l'utilizzo	60
Avvertenze	61
Elenco parti	63
Configurazione del prodotto	65
Utilizzo del prodotto	65
Pulizia e manutenzione	70

Informazioni sul prodotto

Numero modello: _____

Data di produzione: _____

Garanzia

Abbiamo progettato appositamente i nostri prodotti di alta qualità in modo che crescano con il bambino e con la famiglia. Poiché crediamo nel nostro prodotto, i nostri dispositivi sono coperti da una garanzia personalizzata per prodotto che comincia dal giorno dell'acquisto. Al momento di contattarci, sono necessari la prova d'acquisto, il numero di modello e la data di produzione.

Per informazioni sulla garanzia, visitare il sito:
www.nunababy.com
 Fare clic sul link "Garanzia" nella homepage.

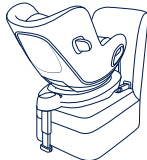
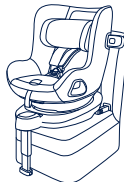
Contatto

Per la sostituzione di parti, manutenzione o domande sulla garanzia, contattare il dipartimento di assistenza al cliente.

info@nunababy.com
www.nunababy.com

Requisiti del bambino per l'utilizzo

Questo prodotto è adatto per l'uso con bambini con i seguenti requisiti:

Dimensioni del bambino	Modalità di installazione	Figura per l'installazione	Età di riferimento	Posizione del seggiolino	Istruzioni per l'inserto per neonati
40 cm-105 cm / ≤19kg	Modalità in senso contrario alla marcia		<4 anni	Posizione 1-5	Si consiglia di utilizzare l'inserto completo finché il bambino non raggiunge i 60 cm e ≤13 kg. Può essere utilizzato finché il bambino non diventa troppo grande per l'inserto. Il cuscinetto per neonati aumenta la protezione dagli impatti laterali.
76 cm-105 cm / ≤19kg	Modalità in senso di marcia		Da 15 mesi a 4 anni	Posizione 1-5	Rimuovere l'inserto per neonati in modalità nel senso di marcia.

Età del bambino	Modalità di installazione	Installazione		Blocco rotazione
<15M	Modalità in senso contrario alla marcia			
>15M	Modalità in senso contrario alla marcia / in senso di marcia			

- 1 - È un dispositivo avanzato di ritenuta per bambini "i-Size". È omologato in base alla Normativa UN N. 129, per l'utilizzo a bordo dei veicoli compatibili i-Size nelle posizioni di seduta indicate dal produttore nel manuale dell'utente del veicolo.
- 2 - In caso di dubbi, consultare il produttore o il rivenditore del dispositivo avanzato di ritenuta per bambini.

AVVERTENZE

La mancata osservanza delle seguenti avvertenze e istruzioni potrebbe causare lesioni gravi o decesso.

PRESTARE attenzione in modo che gli oggetti rigidi e le parti in plastica di un dispositivo avanzato di ritenuta per bambini siano posizionati e installati in modo che non rischino di rimanere incastrati in un sedile o nella portiera del veicolo.

NON usare un dispositivo avanzato di ritenuta per bambini in modalità contraria al senso di marcia nei sedili in cui è installato un airbag anteriore attivo.

Per utilizzare il dispositivo avanzato di ritenuta per bambini in conformità alla normativa UN N. 129, il bambino deve soddisfare i seguenti requisiti.

Modalità contraria al senso di marcia:

Altezza del bambino 40 cm–105 cm/Peso del bambino \leq 19kg:

Modalità in senso di marcia:

Altezza del bambino 76 cm–105 cm/Peso del bambino \leq 19kg:

IMPORTANTE: NON UTILIZZARLO NEL SENSO DI MARCIA PRIMA CHE IL BAMBINO SUPERI I 15 MESI DI ETÀ (fare riferimento alle istruzioni)

La gamba di supporto deve essere a contatto con il pianale del veicolo e le bretelle che trattengono il bambino devono essere adattate al suo corpo. Le cinghie non devono essere attorcigliate.

È estremamente importante che la cinghia addominale sia indossata in basso in modo da sostenere il bacino.

Il dispositivo avanzato di ritenuta per bambini deve essere sostituito se è stato sottoposto a violenti sollecitazioni in caso di incidente. Un incidente può causare danni impossibili da notare.

Considerare il pericolo di apportare modifiche o aggiunte al dispositivo senza approvazione dell'autorità competente, e il pericolo di non seguire attentamente le istruzioni di installazione fornite dal produttore del dispositivo avanzato di ritenuta per bambini.

Tenere il dispositivo avanzato di ritenuta per bambini lontano dalla luce solare diretta per evitare di causare ustioni alla pelle del bambino. Testare sempre la temperatura toccando il dispositivo avanzato di ritenuta per bambini prima di far sedere il bambino.

Non lasciare i bambini incustoditi nel dispositivo avanzato di ritenuta per bambini.

I bagagli o altri oggetti che potrebbero causare lesioni in caso di collisione devono essere fissati adeguatamente.

Il dispositivo avanzato di ritenuta per bambini potrebbe non essere adatto a tutti i veicoli approvati se utilizzato in una di queste posizioni.

Il dispositivo avanzato di ritenuta per bambini **NON DEVE ESSERE UTILIZZATO** senza il rivestimento imbottito.

Il rivestimento imbottito deve essere sostituito con altri consigliati dal produttore, in quanto costituiscono parte integrante delle prestazioni del sistema di ritenuta.

Le istruzioni devono essere conservate sul dispositivo avanzato di ritenuta per bambini per tutta la durata.

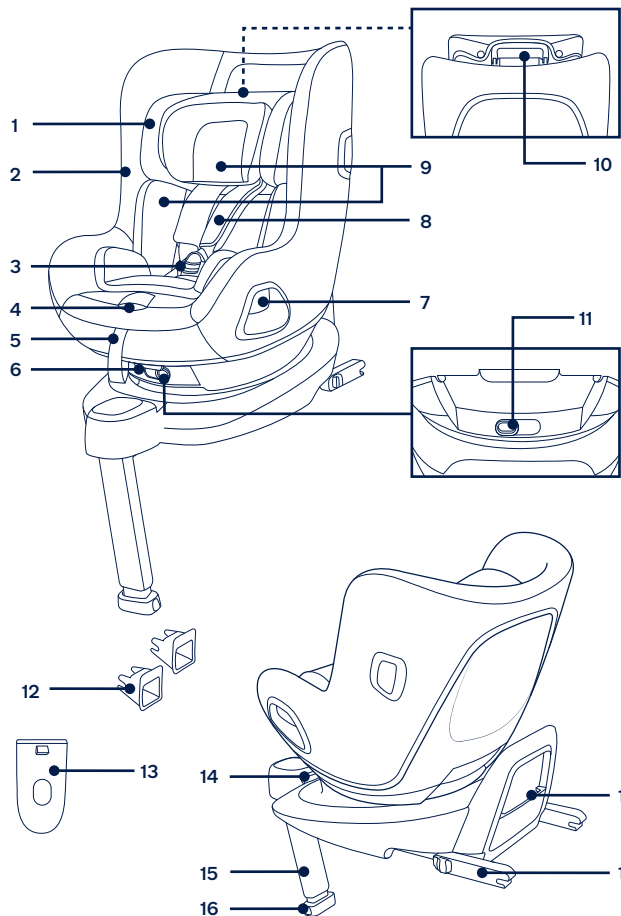
Inoltre, prestare attenzione alle istruzioni e alle avvertenze nel manuale del produttore del veicolo.

Elenco parti

Assicurarsi che tutti i pezzi siano disponibili prima dell'assemblaggio. Se manca qualche pezzo, contattare il rivenditore locale. Per l'assemblaggio non è necessario nessun attrezzo.

- 1 Poggiatesta
- 2 Imbottitura
- 3 Fibbia
- 4 Pulsante del regolatore
- 5 Regolatore
- 6 Pulsante di regolazione dell'inclinazione
- 7 Pulsante di rotazione
- 8 Coperture cintura per le spalle
- 9 Inserto per neonati
- 10 Leva di regolazione poggiatesta

- 11 Blocco rotazione
- 12 Guide ISOFIX
- 13 Aletta di protezione dagli impatti laterali
- 14 Pulsante di regolazione ISOFIX
- 15 Gamba di supporto
- 16 Pulsante di regolazione gamba di supporto
- 17 Attacco ISOFIX
- 18 Vano di conservazione del manuale di istruzioni



Configurazione del prodotto

Dubbi sull'installazione

Questo dispositivo avanzato di ritenuta per bambini è adatto solo per sedili dei veicoli dotati di barre di aggancio ISOFIX. (1)

NON usare un dispositivo avanzato di ritenuta per bambini in modalità contraria al senso di marcia nei sedili in cui è installato un airbag anteriore attivo. (2) Potrebbero verificarsi lesioni gravi o il decesso. Per ulteriori informazioni, fare riferimento al manuale del veicolo.

NON installare questo dispositivo avanzato di ritenuta per bambini su sedili dei veicoli rivolti lateralmente o verso la parte posteriore rispetto al senso di marcia del veicolo.

Fare riferimento al manuale del veicolo per le posizioni di installazioni consigliate. (3)

Si raccomanda di installare questo dispositivo avanzato di ritenuta per bambini sul sedile posteriore del veicolo. (4)

Utilizzo del prodotto

Installazione

- 1 - Fissare le guide ISOFIX alle barre di aggancio ISOFIX (vedere il manuale di istruzioni del veicolo). (5) Le guide ISOFIX possono proteggere la superficie del sedile del veicolo dall'essere strappata. Possono anche guidare gli agganci ISOFIX.
- 2 - Aprire la gamba di supporto. (6)
- 3 - Estendere gli agganci ISOFIX premendo il pulsante di regolazione ISOFIX mentre si tira l'aggancio. (7)
- 4 - Premere il pulsante di regolazione ISOFIX per regolare gli agganci ISOFIX. Allineare gli agganci ISOFIX con le guide ISOFIX, quindi fare clic su entrambi gli agganci ISOFIX nelle barre di aggancio ISOFIX. (8)
 - ! Assicurarsi che entrambi gli agganci ISOFIX siano saldamente fissati alle barre di aggancio ISOFIX del veicolo. Si devono avvertire due clic e il colore degli indicatori su entrambi gli agganci ISOFIX deve essere completamente verde. (8)-1
 - ! Assicurarsi che la base sia installata saldamente tirando entrambi gli agganci ISOFIX.

- 5 - Dopo aver posizionato la base sul sedile del veicolo, estendere la gamba di supporto fino al pianale dell'auto (9). Quando la gamba di supporto è installata correttamente, il relativo indicatore viene visualizzato in verde. Viene visualizzato in rosso quando non è installata correttamente. (9)-2

La gamba di supporto presenta varie posizioni. Se l'indicatore del supporto è rosso significa che la gamba di supporto è in una posizione non corretta.

- ! Assicurarsi che la gamba di supporto sia a contatto con il pianale del veicolo.
- ! Premere il pulsante di regolazione della gamba di supporto, quindi accorciarla verso l'alto. (9)-1

La base completamente montata viene mostrata in (10).

- ! Gli agganci ISOFIX devono essere fissati e bloccati sulle barre di aggancio ISOFIX. (10)-1
- ! La gamba di supporto deve essere installata correttamente con l'indicatore verde. (10)-2

- 6 - Per rimuovere la base, premere il pulsante di bloccaggio secondario (11)-1, quindi il pulsante (11)-2 sui connettori ISOFIX prima di rimuovere la base dal sedile del veicolo. (11)
- 7 - Per il trasporto, premere il pulsante di regolazione ISOFIX e spostare di nuovo gli agganci ISOFIX nella posizione di conservazione. (12)

Utilizzo dell'aletta di protezione dagli impatti laterali

- 1 - Il dispositivo avanzato di ritenuta per bambini è provvisto di aletta di protezione dagli impatti laterali rimovibile. Questa aletta di protezione dagli impatti laterali **DEVE** essere utilizzata sul lato della porta del veicolo. Installazione mostrata in (13).
- 2 - Premere il pulsante di rilascio per rimuovere l'aletta di protezione dagli impatti laterali. (14)

Regolazione dell'altezza

del bigger font

Regolare il poggiatesta e controllare se le cinture per le spalle sono all'altezza corretta in base a (15)-(18).

- ! Se utilizzato in modalità contraria al senso di marcia, la cintura per le spalle deve essere all'altezza o appena sotto la parte superiore delle spalle del bambino. (15)
- ! Se utilizzo in modalità in senso di marcia, la cintura per le spalle deve essere all'altezza della parte superiore delle spalle del bambino. (16)

Tirare la leva di regolazione del poggiatesta (17), quindi tirare verso l'alto verso il basso il poggiatesta finché non scatta in una delle 6 posizioni. Le posizioni del poggiatesta sono mostrate in (18).

Regolazione della reclinazione

- 1 - Premere il pulsante di regolazione della reclinazione per regolare il dispositivo avanzato di ritenuta per bambini nella posizione corretta. (19)
- 2 - Sono disponibili 5 posizioni di reclinazione in modalità contraria al senso di marcia e in modalità in senso di marcia. Gli angoli di reclinazione sono mostrati di seguito. (20)

Modalità contraria al senso di marcia

(Altezza del bambino 40 cm-105 cm/Peso del bambino \leq 19kg)

- ! Montare prima il dispositivo avanzato di ritenuta per bambini sul sedile posteriore della vettura e posizionare poi il bambino nel dispositivo avanzato di ritenuta per bambini.
 - ! Far scorrere il blocco della rotazione a scorrimento verso destra per ruotare il dispositivo avanzato di ritenuta per bambini nella modalità contraria al senso di marcia. (21)
- 1 - Tenere premuto il pulsante di regolazione ISOFIX e spingere il dispositivo avanzato di ritenuta per bambini indietro finché non viene a contatto con il retro del sedile del veicolo. (22)
 - 2 - Tenere premuto il pulsante di rotazione per ruotare al fine di sistemare/togliere lateralmente il bambino in modo più semplice, quindi ruotare il sedile fino alla posizione contraria al senso di marcia. (23)

! Premere il pulsante di rotazione su uno dei lati per ruotare il dispositivo avanzato di ritenuta per bambini.

! Assicurarsi sempre che il dispositivo di ritenuta per bambini sia in posizione bloccata in senso contrario alla marcia/in senso di marcia anche quando il bambino non è al suo interno.

- 3 - Premere il pulsante di regolazione della cintura, mentre si estraggono le cinture per le spalla fino alla lunghezza desiderata (tirare da sotto le imbottiture per le spalle fisse per allungare). (24)
- 4 - Sganciare la fibbia delle bretelle premendo il pulsante rosso. (25)
- 5 - Posizionare le linguette della fibbia contro l'area magnetica sul lato esterno del dispositivo avanzato di ritenuta per bambini in modo che le linguette siano tenute in posizione. (26)

Uso dell'insero per neonati



Si consiglia di utilizzare l'insero completo finché il bambino non raggiunge i 60 cm e \leq 13 kg. Può essere utilizzato finché non diventa troppo grande per l'insero.

Il cuscino per neonati aumenta la protezione dagli impatti laterali.

- 6 - Mettere il bambino nel dispositivo avanzato di ritenuta per bambini e infilare le braccia nelle cinture.
 - 7 - Agganciare la fibbia. Fare riferimento a (27).
 - 8 - Ruotare il dispositivo avanzato di ritenuta per bambini in modalità contraria al senso di marcia. L'indicatore del dispositivo avanzato di ritenuta per bambini viene visualizzato in verde. (28)
 - 9 - Tirare verso il basso il regolatore e regolarlo alla lunghezza adeguata per assicurarsi che sia correttamente allacciato. (29)
- ! Mantenere sempre il bambino protetto con la cintura e stretto correttamente rimuovendo eventuali allentamenti.

Modalità in senso di marcia

(Altezza del bambino 76 cm-105 cm/Peso del bambino ≤19kg)
(Età del bambino ≥ 15 mesi)

- ! Montare prima il dispositivo avanzato di ritenuta per bambini sul sedile posteriore della vettura e riporre poi il bambino nel dispositivo avanzato di ritenuta per bambini.
- ! Far scorrere il blocco della rotazione a scorrimento verso sinistra per ruotare il dispositivo avanzato di ritenuta per bambini nella modalità in senso di marcia. (30)
- 1- Tenere premuto il pulsante di rotazione per ruotare al fine di sistemare/togliere lateralmente il bambino in modo più semplice, quindi ruotare la seduta fino alla posizione in senso di marcia. (31)(32)
- ! Premere il pulsante di rotazione su uno dei lati per ruotare il dispositivo avanzato di ritenuta per bambini.
- ! Assicurarsi sempre che il dispositivo di ritenuta per bambini sia in posizione bloccata in senso contrario alla marcia/in senso di marcia anche quando il bambino non è al suo interno.
- 2- Premere il pulsante di regolazione della cintura, mentre si estraggono le cinture per le spalle fino alla lunghezza desiderata (tirare da sotto le imbottiture per le spalle fisse per allungare). (33)
- 3- Sganciare la fibbia delle bretelle premendo il pulsante rosso. (34)
 - ! Rimuovere l'inserto per neonati in modalità in senso di marcia.
- 4- Posizionare le linguette della fibbia contro l'area magnetica sul lato esterno del dispositivo avanzato di ritenuta per bambini in modo che le linguette siano tenute in posizione. (35)
- 5- Ruotando il dispositivo avanzato di ritenuta per bambini in senso di marcia, l'indicatore del dispositivo avanzato di ritenuta per bambini è verde. (36)
- 6- Tirare verso il basso il regolatore e regolarlo alla lunghezza adeguata per assicurarsi che sia correttamente allacciato. (37)
 - ! Mantenere sempre il bambino protetto con la cintura e stretto correttamente rimuovendo eventuali allentamenti.
 - ! **NON** utilizzare la modalità in senso di marcia a meno che il bambino non abbia 76 cm di altezza E 15 mesi di età.

Rimozione e montaggio del rivestimento imbottito

Premere il pulsante rosso per sganciare la fibbia. (38)

Seguire i passi (39) - (44) per rimuovere il rivestimento imbottito.

Per inserire di nuovo il rivestimento imbottito, ripetere le procedure di cui sopra in ordine inverso.

Pulizia e manutenzione

Conservare l'inserto per neonati lontano dalla portata dei bambini.

Lavare il rivestimento imbottito con acqua fredda sotto i 30°C.

NON stirare il rivestimento imbottito.

NON candeggiare e non lavare a secco il rivestimento imbottito.

NON usare un detergente neutro non diluito, benzina o altri solventi organici per lavare il dispositivo avanzato di ritenuta per bambini. Potrebbero danneggiare il dispositivo avanzato di ritenuta per bambini.

NON attorcigliare il rivestimento imbottito per asciugare con grande forza. Si potrebbero lasciare grinze sul rivestimento imbottito.

Appendere il rivestimento imbottito all'ombra per asciugare.

Rimuovere il dispositivo avanzato di ritenuta per bambini dal sedile del veicolo se non viene usato per un lungo periodo di tempo.

NUNA International B.V. Nuna e tutti i logo associati sono marchi di fabbrica.

¡IMPORTANTE!
GUARDE ESTAS
INSTRUCCIONES PARA
FUTURAS CONSULTAS:
LÉALAS
DETENIDAMENTE

Contenido

Información del producto	73
Garantía	
Contacto	
Requisitos de los niños para su uso	74
Advertencia	75
Lista de piezas	77
Montaje del producto	79
Uso del producto	79
Limpieza y mantenimiento	84

Información del producto

Número de modelo: _____

Fecha de fabricación: _____

Garantía

Hemos diseñado a propósito nuestros productos de alta calidad para que puedan crecer tanto con su hijo como con su familia. Como respaldamos nuestros productos, nuestros artículos están cubiertos por una garantía a medida para cada producto, a partir de la fecha en la que fue adquirido. Tenga preparada la prueba de compra, el número de modelo y la fecha de fabricación cuando se ponga en contacto con nosotros.

Para obtener información acerca de la garantía, visite:

www.nunababy.com

Haga clic en el enlace "Garantía" en la página de inicio.

Contacto

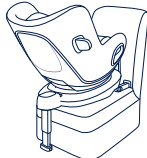
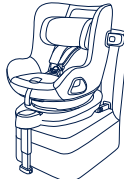
Para obtener información sobre piezas de repuesto y servicio técnico, o para resolver dudas acerca de la garantía adicional, póngase en contacto con nuestro departamento de atención al cliente.







info@nunababy.com

www.nunababy.com

Requisitos de los niños para su uso

Este producto es apto para su uso con niños que cumplan los siguientes requisitos:

Dimensioni del bambino	Modalità di installazione	Figura per l'installazione	Età di riferimento	Posizione del seggiolino	Istruzioni per l'inserto per neonati
40 cm-105 cm / ≤19kg	Modalità contraria al senso di marcia		<4 anni	Posizione 1-5	Si consiglia di utilizzare l'inserto completo finché il bambino non raggiunge i 60 cm e ≤13 kg. Può essere utilizzato finché non diventa troppo grande per l'inserto. Il cuscino per neonati aumenta la protezione dagli impatti laterali.
76 cm-105 cm / ≤19kg	Modalità in senso di marcia		Da 15 mesi a 4 anni	Posizione 1-5	Rimuovere l'inserto per neonati in modalità in senso di marcia.

Edad del niño	Modo de instalación	Instalación		Bloqueo giratorio
<15 M	Modo de orientación hacia atrás			
>15 M	Modo de orientación hacia atrás o hacia adelante			

- 1 - Este es un sistema de sujeción para niños "i-Size" mejorado. Está aprobado conforme a la Norma N° 129 de la ONU, para el uso en vehículos compatibles con posiciones de sentado i-Size, tal y como indican los fabricantes de vehículos en los manuales de usuario del vehículo.
- 2 - En caso de duda, consulte al fabricante o al distribuidor del dispositivo de sujeción para niños mejorado.

ADVERTENCIA

Si no sigue las advertencias e instrucciones que se exponen a continuación, podría provocar graves lesiones o, incluso, la muerte.

TENGA cuidado para que los elementos rígidos y las piezas de plástico de un dispositivo de sujeción para niños mejorado se coloquen e instalen de manera que no puedan quedar atrapados por un asiento móvil o en una puerta del vehículo.

NO use los sistemas de sujeción para niños mejorados con orientación hacia atrás en asientos donde haya un airbag frontal activo instalado.

Para utilizar este dispositivo de sujeción para niños mejorado de acuerdo con la norma n.º 129 de la ONU, el niño deberá cumplir los siguientes requisitos:

Posición hacia atrás:

Altura del niño: 40 cm-105 cm / Peso del niño: \leq 19kg;

Posición hacia adelante:

Altura del niño: 76cm-105 cm / Peso del niño: \leq 19kg;

IMPORTANTE - NO UTILIZAR ORIENTADO HACIA DELANTE ANTES DE LOS 15 MESES (consulte las instrucciones)

Cualquier pata de soporte debe estar en contacto con el suelo del vehículo y las correas que sujetan al niño deben ajustarse al cuerpo de este. Las correas no debe estar retorcidas.

Asegúrese de que ninguna correa de seguridad quede demasiado baja, de forma que la pelvis quede firmemente sujeta.

Este dispositivo de sujeción para niños mejorado se debe reemplazar si ha estado sometido a tensiones violentas en un accidente. Un accidente puede causar daños no visibles en dichos elementos.

Considere el peligro de realizar alteraciones o modificaciones al dispositivo sin la aprobación de la autoridad adecuada y el peligro de no seguir estrictamente las instrucciones de instalación facilitadas por el fabricante del dispositivo de sujeción para niños mejorado.

Mantenga el dispositivo de sujeción para niños mejorado alejado de la luz directa del sol ya que, si no lo hace, podría alcanzar temperaturas demasiado altas para la piel de su hijo. Compruebe siempre la temperatura tocando el dispositivo de sujeción para niños mejorado antes de colocar al niño en él.

Los niños no deben dejarse desatendidos en el sistema de sujeción para niños mejorado.

Sujete correctamente el equipaje y cualquier otro objeto susceptible de provocar lesiones en caso de colisión.

El respaldo del niño mejorado puede no caber en todos los vehículos aprobados cuando se utiliza en una de estas posiciones.

NO UTILICE el sistema de sujeción para niños mejorado sin el acolchado.

El acolchado no deberá sustituirse por uno que no esté recomendado por el fabricante, ya que el acolchado constituye una parte esencial del funcionamiento del dispositivo de sujeción.

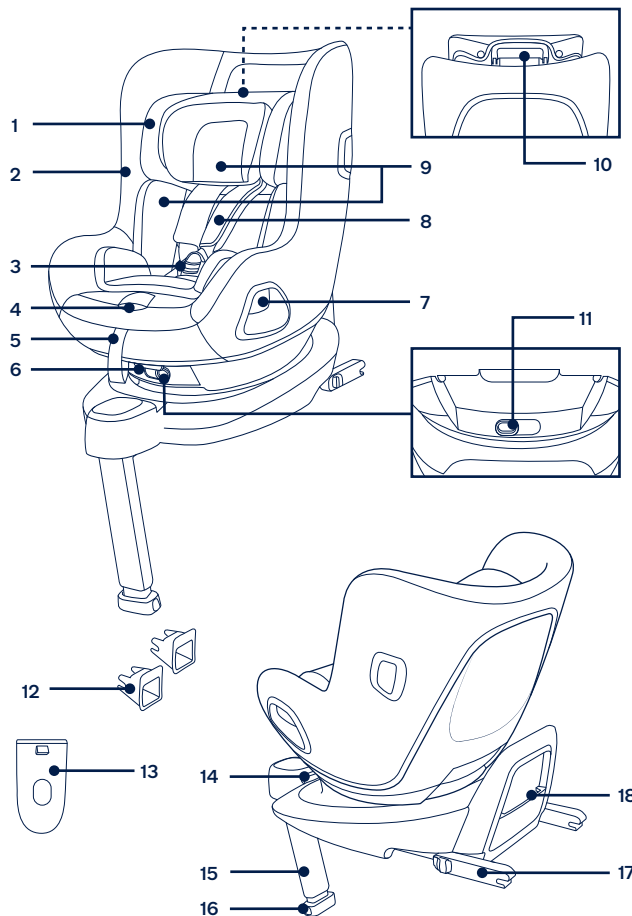
Las instrucciones deben conservarse en el sistema de sujeción para niños mejorado durante su período de vida útil.

También preste atención a las instrucciones y advertencias del manual del fabricante del vehículo.

Lista de piezas

Asegúrese de que están disponibles todas las piezas antes de montar el producto. Si falta alguna pieza, póngase en contacto con su proveedor local. No se necesita ninguna herramienta para el montaje.

- | | |
|--|--|
| 1 Reposacabezas | 21 Bloqueo giratorio |
| 2 Acolchado del asiento | 22 Guías ISOFIX |
| 3 Hebilla | 23 Funda de protección contra impactos laterales |
| 4 Botón de ajuste de la cincha | 24 Botón de ajuste ISOFIX |
| 5 Cincha de ajuste | 25 Pata de carga |
| 6 Botón de ajuste de la inclinación | 26 Botón de ajuste de la pata de carga |
| 7 Botón de giro | 27 Conector ISOFIX |
| 8 Protector del arnés de los hombros | 28 Compartimento de almacenamiento del manual de instrucciones |
| 9 Accesorio para niños pequeños | |
| 10 Palanca de ajuste del reposacabezas | |



Montaje del producto

Consideraciones acerca de la instalación

Este sistema de sujeción para niños mejorado solamente es adecuado para asientos de vehículos con barras de anclaje ISOFIX. (1)

NO use los sistemas de sujeción para niños mejorados con orientación hacia atrás en asientos donde haya un airbag frontal activo instalado. (2) Si lo hace, podrían producirse lesiones graves o, incluso, la muerte. Consulte el manual de usuario del vehículo para obtener más información.

NO instale este sistema de sujeción para niños mejorado en asientos de vehículo cuya posición esté orientada hacia un lado o hacia atrás con respecto a la dirección de conducción del vehículo.

Consulte el manual del propietario del vehículo para conocer las posiciones de instalación recomendadas o sugeridas. (3)

Le recomendamos que instale este dispositivo de sujeción para niños mejorado en los asientos traseros. (4)

Uso del producto

Instalación

- 1 - Acople las guías ISOFIX en las barras de anclaje ISOFIX del vehículo (consulte el manual del propietario del vehículo). (5) Las guías ISOFIX pueden proteger la superficie del asiento del vehículo contra roturas. También sirven para guiar los conectores ISOFIX.
 - 2 - Extienda la pata de carga desde el compartimento de almacenamiento. (6)
 - 3 - Extienda los conectores ISOFIX presionando el botón de desbloqueo mientras tira del conector. (7)
 - 4 - Pulse el botón de ajuste ISOFIX para guardar los conectores ISOFIX. Alinee los conectores ISOFIX con las guías ISOFIX y, a continuación, introduzca ambos conectores ISOFIX en las barras de anclaje ISOFIX hasta que escuche un clic. (8)
- ! Asegúrese de que ambos conectores ISOFIX queden firmemente sujetos a las barras de anclaje ISOFIX del vehículo. Deberá escuchar dos clics y los colores de los indicadores de ambos conectores ISOFIX deberán aparecer completamente en verde. (8)-1

! Para asegurarse de que la base está instalada de forma segura, tire de ambos conectores ISOFIX.

- 5 - Una vez colocada la base en el asiento del vehículo, extienda la pata de carga hasta el suelo (9). Cuando la pata de carga esté instalada correctamente, el indicador de la pata de carga se mostrará en color verde. Se mostrará en color rojo cuando se instale incorrectamente. (9)-2

La pata de carga tiene varias posiciones. Cuando el indicador de la pata de carga aparece en rojo significa que la posición de la pata de carga no es correcta.

! Asegúrese de que la pata de carga esté totalmente en contacto con el suelo del vehículo.

! Apriete el botón de ajuste de la pata de carga y, a continuación, acorte la pata de carga tirando de ella hacia arriba. (9)-1

La base montada completamente aparece en la figura (10).

! Los conectores ISOFIX se deben fijar y bloquear en las barras de anclaje ISOFIX. (10)-1

! La pata de carga debe estar correctamente instalada con el indicador en verde. (10)-2

- 6 - Para retirar la base, pulse primero el botón de desbloqueo secundario (11)-1 y, a continuación, el botón (11)-2 de los conectores ISOFIX antes de quitar la base del asiento del vehículo. (11)
- 7 - Para el transporte, pulse el botón de ajuste de ISOFIX y mueva los conectores ISOFIX hacia atrás en la posición de almacenamiento. (12)

Usar la protección contra impactos laterales

- 1 - El dispositivo de sujeción para niños mejorado se entrega con una protección contra impactos laterales extraíble. Esta funda de protección contra impactos laterales **DEBE** usarse en el lado de la puerta del vehículo. Instalación mostrada en (13).
- 2 - Presione el botón de liberación para quitar la funda de protección contra impactos laterales. (14)

Ajuste de la altura

de los arneses de los hombros y del reposacabezas

Ajuste el reposacabezas y compruebe si la altura de los arneses de los hombros es la correcta, tal y como se indica en las figuras (15)-(18).

- ! Cuando se utilice en el modo orientado hacia atrás, los arneses de los hombros deberán estar a la altura de los hombros del niño o por debajo. (15)
- ! Cuando utilice el modo orientado hacia adelante, los arneses de los hombros deberán estar a la altura de los hombros del niño. (16)

Tire de la palanca de ajuste del reposacabezas (17) al mismo tiempo que tira hacia arriba o hacia abajo del reposacabezas hasta que quede fijado en una de las 6 posiciones. Las posiciones del reposacabezas se indican en la Fig. (18).

Ajuste de la inclinación

- 1 - Pulse el botón de ajuste de la inclinación para ajustar el dispositivo de sujeción para niños mejorado en la posición correcta. (19)
- 2 - Tanto el modo orientado hacia atrás como el modo orientado hacia adelante tienen 5 posiciones de inclinación. Los ángulos de inclinación se muestran en la figura. (20)

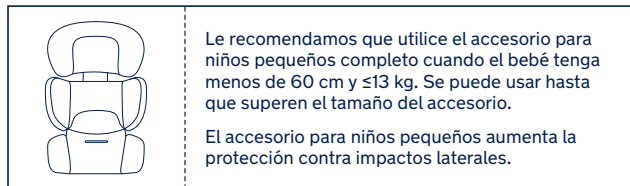
Modo orientado hacia atrás

(Altura del niño: 40 cm-105 cm / Peso del niño: ≤19kg)

- ! Instale el dispositivo de sujeción para niños mejorado en el asiento trasero del vehículo y, a continuación, coloque al niño en dicho dispositivo.
 - ! Deslice el bloqueo giratorio hacia la derecha cuando utilice el sistema de sujeción para niños mejorado en el modo de orientación hacia atrás. (21)
- 1 - Mantenga presionado el botón de ajuste ISOFIX y empuje el sistema de sujeción para niños mejorado hacia atrás hasta que entre en contacto con el respaldo del asiento del vehículo. (22)
 - 2 - Mantenga presionado el botón de giro para girar y facilitar la carga y descarga lateral del niño y, a continuación, gire el asiento hacia la posición orientada hacia atrás. (23)

- ! Presione el botón de giro de cada lado para girar el dispositivo de sujeción para niños mejorado.
 - ! Asegúrese siempre de que el dispositivo de sujeción para niños esté en la posición de bloqueo (orientación hacia atrás u orientación hacia adelante), incluso cuando el niño no esté en él.
- 3 - Presione el botón de ajuste del arnés y tire al mismo tiempo de los arneses de los hombros hacia afuera hasta que la longitud sea la adecuada. (Tire desde debajo de las hombreras fijas para alargar). (24)
 - 4 - Desbloquee la hebilla de los arneses pulsando el botón rojo. (25)
 - 5 - Coloque las lengüetas de la hebilla contra el área magnética del lado exterior del sistema de sujeción para niños mejorado para que dichas lengüetas se mantengan en su lugar. (26)

Uso del accesorio para niños pequeños



- 6 - Coloque al niño en el dispositivo de sujeción para niños mejorado y pase ambos brazos por los arneses.
 - 7 - Enganche la hebilla. Consulte la página (27).
 - 8 - Gire el sistema de sujeción para niños mejorado a la posición de orientación hacia atrás. El indicador del sistema de sujeción para niños mejorado se iluminará en verde. (28)
 - 9 - Empuje hacia abajo la cincha de ajuste y ajústela de forma que la longitud sea la adecuada para garantizar que su hijo quede sujeto correctamente. (29)
- ! Mantenga siempre al niño asegurado en el arnés y bien sujeto sin que haya holguras.

Modo orientado hacia adelante

Altura del niño entre 76 cm y 105 cm/Peso del niño ≤ 19kg
(Edad del niño ≥ 15 meses).

- ! Instale el dispositivo de sujeción para niños mejorado en el asiento trasero del vehículo y, a continuación, coloque al niño en dicho dispositivo.
 - ! Deslice el bloqueo giratorio hacia la izquierda cuando utilice el sistema de sujeción para niños mejorado en el modo de orientación hacia adelante. (30)
- 1- Mantenga presionado el botón de giro para girar y facilitar la carga y descarga lateral del niño y, a continuación, gire el asiento hacia la posición orientada hacia adelante. (31)(32)
 - ! Presione el botón de giro de cada lado para girar el dispositivo de sujeción para niños mejorado.
 - ! Asegúrese siempre de que el dispositivo de sujeción para niños esté en la posición de bloqueo (orientación hacia atrás u orientación hacia adelante), incluso cuando el niño no esté en él.
- 2- Presione el botón de ajuste del arnés y tire al mismo tiempo de los arneses de los hombros hacia afuera hasta que la longitud sea la adecuada. (Tire desde debajo de las hombreras fijas para alargar). (33)
 - 3- Desbloquee la hebilla de los arneses pulsando el botón rojo. (34)
 - ! Retire el accesorio para niños pequeños cuando el producto se utilice orientado hacia adelante.
 - 4- Coloque las lengüetas de la hebilla contra el área magnética del lado exterior del sistema de sujeción para niños mejorado para que dichas lengüetas se mantengan en su lugar. (35)
 - 5- Gire el dispositivo de sujeción para niños mejorado hacia la posición de orientación hacia adelante; el indicador de dicho sistema se mostrará en verde. (36)
 - 6- Empuje hacia abajo la cincha de ajuste y ajústela de forma que la longitud sea la adecuada para garantizar que su hijo quede sujeto correctamente. (37)
- ! Mantenga siempre al niño asegurado en el arnés y bien sujeto sin que haya holguras.

! NO use la posición de orientación hacia adelante a menos que su hijo tenga al menos 76 cm Y 15 meses de edad.

Desmontaje y montaje del acolchado

Presione el botón rojo para soltar la hebilla. (38)

Siga los pasos (39) - (44) para desmontar el acolchado.

Para volver a montar los materiales mullidos, repita los pasos anteriores en orden inverso.

Limpieza y mantenimiento

Guarde el accesorio para niños pequeños en algún lugar fuera del alcance del niño.

Lave el acolchado con agua fría por debajo de los 30 °C.

NO planche el acolchado.

NO limpie en seco ni utilice lejía para lavar el acolchado.

NO utilice detergentes neutros sin diluir, gasolina u otros disolventes orgánicos para limpiar el dispositivo de sujeción para niños mejorado. Si lo hace, puede dañar el dispositivo de sujeción para niños mejorado.

NO retuerza con demasiada fuerza el acolchado cuando lo seque. Podrían quedar arrugas en el acolchado.

Deje secar el acolchado en un lugar alejado de la luz directa del sol.

Retire este dispositivo de sujeción para niños mejorado del asiento del vehículo cuando no vaya a utilizarlo durante un periodo prolongado de tiempo.

IMPORTANTE!
GUARDE ESTAS
INSTRUÇÕES PARA
REFERÊNCIA FUTURA:
LER ATENTAMENTE

Índice

Informações sobre o produto	87
Garantia	
Contactos	
Requisitos de utilização	88
Aviso	89
Lista de componentes	91
Montagem do produto	93
Utilização do produto	93
Limpeza e manutenção	98

Informações sobre o produto

Número de modelo: _____

Data de fabrico: _____

Garantia

Concebemos propositadamente os nossos produtos de alta qualidade para que possam acompanhar o crescimento do seu filho e da sua família. Porque confiamos nos nossos produtos, os nossos equipamentos estão cobertos por uma garantia personalizada por produto, a partir do dia da sua compra. Quando nos contactar, tenha disponíveis o comprovativo de compra, o número do modelo e a data de fabrico.

Para obter informações sobre a garantia, visite:

www.nunababy.com

Clique no link "Garantia" na página inicial.

Contactos

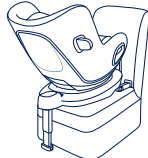
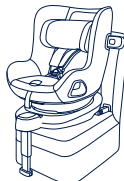
Para peças de substituição, assistência técnica ou outras questões sobre a garantia, contacte o nosso departamento de apoio ao cliente.



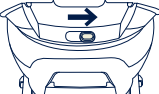



info@nunababy.com

www.nunababy.com

Requisitos de utilização

Este produto é adequado para crianças que cumpram os seguintes requisitos:

Tamanho da criança	Modo de instalação	Figura para instalação	Idade de referência	Posição de utilização	Instruções do redutor para bebé
40-105 cm/ ≤ 19kg	Modo virado para a retaguarda		<4 anos	Posição 1-5	Recomendamos que utilize o redutor completo se o bebé tiver até 60 cm e ≤ 13 kg. Pode ser utilizado até que o redutor esteja pequeno para o tamanho do bebé. O redutor aumenta a protecção contra impactos laterais.
76-105 cm/ ≤ 19kg	Modo virado para a frente		15 meses a 4 anos	Posição 1-5	Remove o redutor quando no modo virado para a frente.

Idade da criança	Modo de instalação	Instalação	Bloqueio rotativo
< 15 meses	Modo virado para a retaguarda	 	
> 15 meses	Modo virado para a frente/retaguarda	 	

- Este é um sistema avançado de retenção para crianças "i-Size". Está aprovado ao abrigo da Regulamentação UN N.º.129 para utilização em veículos com lugares sentados compatíveis com "i-Size", como indicado no manual do utilizador do fabricante do veículo.
- Em caso de dúvida, consulte o fabricante ou o revendedor do sistema avançado de retenção para crianças.

AVISO

O incumprimento dos avisos e instruções pode resultar em lesões graves ou morte.

TENHA atenção ao facto de as peças rígidas e plásticas de um dispositivo avançado de retenção para crianças deverem estar localizadas e instaladas de forma a não ficarem presas num assento móvel ou na porta do veículo.

NÃO utilize o sistema de retenção para crianças virado para a retaguarda em lugares sentados onde esteja instalado um airbag frontal ativo.

Para utilizar este dispositivo avançado de retenção para crianças de acordo com a Regulamentação UN N.º 129, a criança deve cumprir os seguintes requisitos.

Virado para a retaguarda:

Altura da criança 40 - 105 cm/Peso da criança \leq 19kg;

Virado para a frente:

Altura da criança 76 - 105 cm/Peso da criança \leq 19kg;

IMPORTANTE - NÃO UTILIZE O DISPOSITIVO VIRADO PARA A FRENTE SE A CRIANÇA TIVER UMA IDADE INFERIOR A 15 MESES (Consulte as instruções)

Qualquer perna de apoio deve estar em contacto com o piso do veículo e as correias que restringem a criança devem ser ajustadas ao corpo da criança. As correias não devem estar torcidas.

Certifique-se de que a correia subabdominal está o mais baixo possível para que a cintura esteja bem segura.

Este dispositivo avançado de retenção para crianças deve ser substituído caso tenha sido sujeito a esforços violentos num acidente. Um acidente pode causar danos não visíveis.

Não devem ser efetuadas alterações ou adições ao dispositivo sem a aprovação de uma autoridade competente e devem ser seguidas as instruções de instalação fornecidas pelo fabricante do dispositivo avançado de retenção para crianças.

Mantenha este dispositivo avançado de retenção para crianças afastado de luz solar direta, caso contrário, este poderá tornar-se demasiado quente para a pele da criança. Verifique sempre a temperatura tocando no dispositivo avançado de retenção para crianças antes de colocar a criança.

As crianças não devem permanecer sem supervisão no sistema avançado de retenção.

Todas as bagagens ou outros objetos que possam causar ferimentos em caso de colisão, devem estar corretamente fixos.

O dispositivo avançado de retenção para crianças poderá não caber em todos os veículos aprovados quando for utilizado numa destas posições.

O sistema avançado de retenção para crianças **NÃO DEVE SER UTILIZADO** sem a capa de tecido acolchoado.

A capa de tecido acolchoado não deve ser substituída por qualquer outra que não seja recomendada pelo fabricante, pois é parte integrante do sistema de retenção.

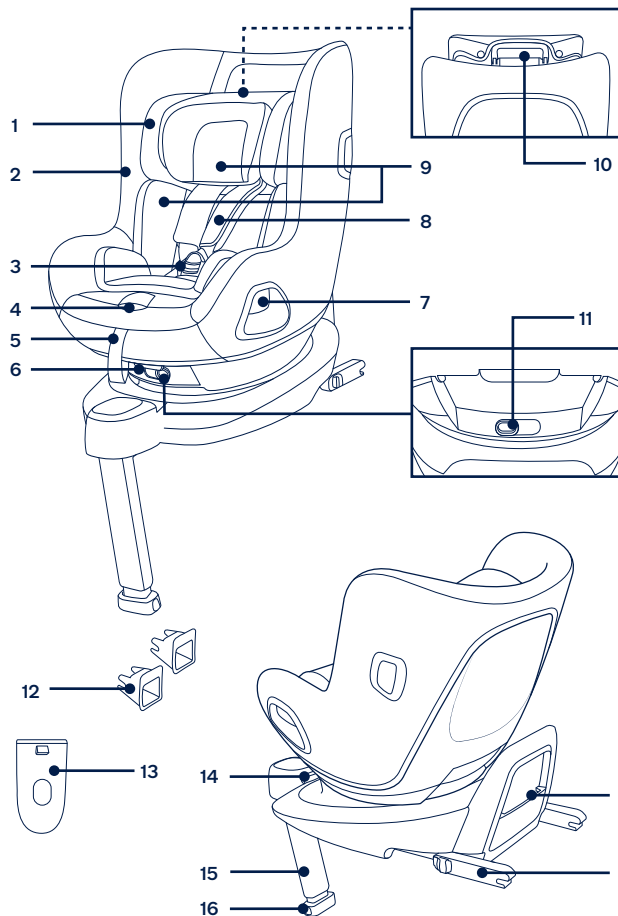
As instruções devem ser guardadas no dispositivo avançado de retenção para crianças durante toda a sua vida útil.

Tenha também em atenção as instruções e avisos do manual do fabricante do veículo.

Lista de componentes

Certifique-se de que todas as peças estão disponíveis antes da montagem. Se alguma peça estiver em falta, contacte o revendedor local. Não são necessárias ferramentas para a montagem.

- | | |
|--|---|
| 1 Apoio de cabeça | 11 Bloqueio rotativo |
| 2 Capa de tecido acolchoado | 12 Guias ISOFIX |
| 3 Fivela | 13 Módulo de proteção contra impactos laterais |
| 4 Botão da correia de ajuste | 14 Botão de ajuste ISOFIX |
| 5 Correia de ajuste | 15 Perna de carga |
| 6 Botão de ajuste de reclinção | 16 Botão de ajuste da perna de carga |
| 7 Botão de rotação | 17 Conector ISOFIX |
| 8 Capas das alças | 18 Compartimento de armazenamento do manual de instruções |
| 9 Redutor para bebê | |
| 10 Alavanca de ajuste do apoio de cabeça | |



Montagem do produto

Cuidados na instalação

Este dispositivo avançado de retenção para crianças é adequado para bancos de veículos equipados com barras de fixação ISOFIX. (1)

NÃO utilize o sistema de retenção para crianças virado para a retaguarda em lugares sentados onde esteja instalado um airbag frontal ativo. (2) Poderão ocorrer ferimentos graves ou mesmo a morte. Consulte o manual do proprietário do veículo para obter mais informações.

NÃO instale este sistema avançado de retenção para crianças em bancos de veículo virados para o lado ou para a retaguarda em relação à direção de deslocamento do veículo.

Consulte o manual do veículo para obter as posições de instalação recomendadas ou sugeridas. (3)

Recomendamos que instale este dispositivo avançado de retenção para crianças no banco traseiro do veículo. (4)

Utilização do produto

Instalação

- 1 - Encaixe os guias ISOFIX nas barras de fixação ISOFIX do veículo (ver manual do proprietário do veículo). (5) Os guias ISOFIX podem proteger a superfície do banco do veículo contra roturas. Também servem para guiar os conectores ISOFIX.
- 2 - Desdobre a perna de carga a partir do compartimento de armazenamento. (6)
- 3 - Estique os conectores ISOFIX pressionando o botão de ajuste ISOFIX enquanto puxa o conector. (7)
- 4 - Pressione o botão de ajuste ISOFIX para ajustar os conectores ISOFIX. Alinhe os conectores ISOFIX com os guias ISOFIX e, em seguida, encaixe ambos os conectores ISOFIX nas barras de fixação ISOFIX. (8)
 - ! Certifique-se de que ambos os conectores ISOFIX estão corretamente encaixados nas barras de fixação ISOFIX do veículo. Deverá ouvir dois cliques e a cor dos indicadores de ambos os conectores ISOFIX deverá ser completamente verde. (8)-1
 - ! Certifique-se de que a base está firmemente instalada puxando por ambos os conectores ISOFIX.

- 5 - Depois de colocar a base no banco do veículo, estique a perna de carga até ao piso do veículo (9). Se o indicador da perna de apoio apresentar a cor verde, significa que a perna de apoio está corretamente instalada. A cor vermelha indica uma instalação incorreta. (9)-2

A perna de carga tem múltiplas posições. Se o indicador da perna de apoio apresentar a cor vermelha, significa que a perna de apoio está numa posição incorreta.

- ! Certifique-se de que a perna de carga está em contacto com o piso do veículo.
- ! Aperte o botão de ajuste da perna de carga e, em seguida, encurte a perna de carga para cima. (9)-1

A ilustração (10) apresenta a base totalmente montada.

- ! Os conectores ISOFIX devem estar encaixados e bloqueados nas barras de fixação ISOFIX. (10)-1
- ! A perna de carga deve estar corretamente instalada com o indicador em cor verde. (10)-2

- 6 - Para remover a base, pressione primeiro o botão de bloqueio secundário (11)-1 e, em seguida, o botão (11)-2 nos conectores ISOFIX antes de remover a base do banco do veículo. (11)
- 7 - Para transportar, pressione o botão de ajuste ISOFIX e retraia os conectores ISOFIX para a posição de armazenamento. (12)

Utilizar a proteção contra impactos laterais

- 1 - O dispositivo avançado de retenção para crianças é fornecido com um módulo de proteção contra impactos laterais. Este módulo de proteção contra impactos laterais **DEVE** ser utilizado no lado da porta do veículo. Instalação apresentada em (13).
- 2 - Pressione o botão de desengate para remover o módulo de proteção contra impactos laterais. (14)

Ajuste da altura

para o apoio de cabeça e alças

Ajuste o apoio de cabeça e verifique se as alças se encontram à altura correta de acordo com as figuras (15)-(18).

- ! Quando o dispositivo for utilizado no modo virado para a retaguarda, as alças deverão estar colocadas ao nível ou ligeiramente abaixo dos ombros da criança. (15)

- ! Quando o dispositivo for utilizado no modo virado para a frente, as alças deverão estar colocadas ao nível dos ombros da criança. (16)

Puxe a alavanca de ajuste do apoio de cabeça (17), e ajuste o apoio de cabeça para cima ou para baixo até que este encaixe numa das 6 posições. As posições do apoio de cabeça são apresentados na ilustração (18).

Ajuste da reclinção

- 1- Aperte o botão de ajuste da reclinção para ajustar o dispositivo avançado de retenção para crianças para a posição adequada. (19)
- 2- Ambos os modos virados para a retaguarda e para a frente têm 5 posições de reclinção. Os ângulos de reclinção são apresentados na figura. (20)

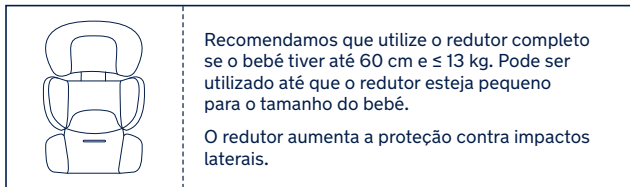
Modo virado para a retaguarda

(Altura da criança 40 - 105 cm/Peso da criança ≤ 19 kg)

- ! Instale o dispositivo avançado de retenção para crianças no assento traseiro do veículo e, em seguida, coloque a criança no dispositivo.
 - ! Deslize o bloqueio rotativo para a direita quando utilizar o sistema avançado de retenção para crianças no modo virado para a retaguarda. (21)
- 1- Mantenha pressionado o botão de ajuste ISOFIX e empurre o sistema avançado de retenção para crianças para trás até entrar em contacto com o encosto do veículo. (22)
 - 2- Mantenha pressionado o botão de rotação para rodar e colocar/retirar a criança lateralmente de forma fácil e, em seguida rode a cadeira para a posição virada para a retaguarda. (23)
 - ! Pressione o botão de rotação num dos lados para rodar o dispositivo avançado de retenção.
 - ! Certifique-se de que o sistema de retenção para crianças está na posição bloqueada (virado para a retaguarda/virado para a frente) mesmo quando não está a ser utilizado.
 - 3- Pressione o botão de ajuste das alças, enquanto puxa as alças até ao comprimento desejado (Puxe debaixo das ombreiras fixas para alongar). (24)
 - 4- Abra o cinto de segurança pressionando o botão vermelho. (25)

- 5- Encoste as linguetas do cinto contra a área magnética no lado exterior do dispositivo avançado de retenção para crianças para que as linguetas fiquem fixas no lugar. (26)

Utilizar o redutor para bebé



- 6- Coloque a criança no dispositivo avançado de retenção para crianças e passe ambos os braços pelas correias.
- 7- Encaixe a fivela. Consulte a ilustração (27).
- 8- Rode o dispositivo de retenção para crianças e vire-o para a retaguarda. O indicador do dispositivo avançado de retenção para crianças apresentará a cor verde. (28)
- 9- Puxe a cinta de ajuste para baixo e ajuste-a para o comprimento adequado para garantir que a criança está segura. (29)
 - ! Mantenha a criança segura com as correias e devidamente apertada eliminando quaisquer folgas.

Modo virado para a frente

(Altura da criança 76 - 105 cm/Peso da criança ≤ 19 kg)

(Idade da criança ≥ 15 meses)

- ! Instale o dispositivo avançado de retenção para crianças no assento traseiro do veículo e, em seguida, coloque a criança no dispositivo.
 - ! Deslize o bloqueio rotativo para a esquerda quando utilizar o sistema avançado de retenção para crianças no modo virado para a frente. (30)
- 1- Mantenha pressionado o botão rotativo para rodar e facilitar a colocação/remoção da criança e, em seguida, rode a cadeira para a posição virada para a frente. (31)(32)
 - ! Pressione o botão de rotação num dos lados para rodar o dispositivo avançado de retenção.

- ! Certifique-se de que o sistema de retenção para crianças está na posição bloqueada (virado para a retaguarda/virado para a frente) mesmo quando não está a ser utilizado.
- 2 - Pressione o botão de ajuste das alças, enquanto puxa as alças até ao comprimento desejado (Puxe debaixo das ombreiras fixas para alongar). (33)
- 3 - Abra o cinto de segurança pressionando o botão vermelho. (34)
 - ! Remova o redutor quando no modo virado para a frente.
- 4 - Encoste as linguetas do cinto contra a área magnética no lado exterior do dispositivo avançado de retenção para crianças para que as linguetas fiquem fixas no lugar. (35)
- 5 - Rode o dispositivo avançado de retenção para a frente, o indicador do dispositivo avançado de retenção apresentará a cor verde. (36)
- 6 - Puxe a cinta de ajuste para baixo e ajuste-a para o comprimento adequado para garantir que a criança está segura. (37)
 - ! Mantenha a criança segura com as correias e devidamente apertada eliminando quaisquer folgas.
 - ! **NÃO** utilize o dispositivo virado para a frente se a criança não tiver pelo menos 76 cm E 15 meses.

Retirar e montar a capa de tecido acolchoado

Pressione o botão vermelho para abrir a fivela. (38)

Siga os passos (39) - (44) para retirar a capa de tecido acolchoado.

Para voltar a colocar a capa de tecido, repita os passos indicados acima na ordem inversa.

Limpeza e manutenção

Guarde o redutor afastado do alcance de crianças.

Lave a capa de tecido acolchoado com água fria a uma temperatura inferior a 30 °C.

NÃO engome a capa de tecido.

NÃO utilize lixívia nem lave a seco a capa de tecido acolchoado.

NÃO utilize detergentes neutros não diluídos, gasolina ou outros solventes orgânicos para lavar o dispositivo avançado de retenção para crianças. Poderá danificar o dispositivo avançado de retenção.

NÃO torça a capa de tecido acolchoado para a secar rapidamente. Poderá enrugar as capas de tecido acolchoado.

Deixe secar as capas de tecido acolchoado num local à sombra.

Retire o dispositivo avançado de retenção para crianças do veículo se não pretende utilizá-lo durante um longo período.

**WAŻNE!
PRZED UŻYCIEM
PRODUKTU PROSIMY
ZAPOZNAĆ SIĘ
Z ZAWIERAJĄCĄ
WAŻNE INFORMACJE
INSTRUKCJĄ I
ZACHOWAĆ JĄ NA
PRZYSZŁY UŻYTEK.
PRZECZYTAJ
UWAŻNIE**

Spis treści

Informacje o produkcie	101
Gwarancja	
Kontakt	
Przeznaczenie	102
Ostrzeżenie	103
Lista części	105
Konfiguracja produktu	107
Korzystanie z produktu	107
Czyszczenie i konserwacja	112

Informacje o produkcie

Numer modelu: _____

Data produkcji: _____

Gwarancja

Nasze wysokiej jakości produkty zaprojektowaliśmy tak, aby mogły rosnąć razem z Twoim dzieckiem jak również z całą rodziną. Ponieważ jesteśmy przekonani o jakości naszych produktów, nasz produkt objęty jest 2 letnią gwarancją konsumencką już od dnia jego zakupu. Zachowaj dowód zakupu, numer modelu oraz datę produkcji podczas kontaktu w sprawie gwarancji.

W celu uzyskania informacji na temat gwarancji, odwiedź naszą stronę internetową:

www.nunababy.com

Kliknij „Gwarancja” na stronie głównej.

Kontakt

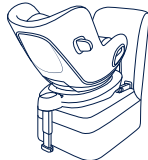
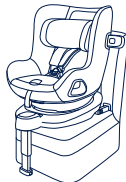
W celu uzyskania informacji na temat części zamiennych, serwisu lub jakichkolwiek dodatkowych pytań skontaktuj się z naszym działem obsługi klienta.



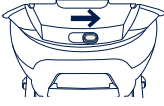


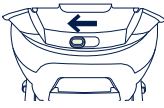
info@nunababy.com

www.nunababy.com

Wymagania dotyczące używania przez dzieci

Produkt nadaje się dla dzieci spełniających następujące wymagania:

Wymiary dziecka	Tryb montażu	Instalacja	Wiek odziecka	Pozycja fotela	Użycie wkładki dla noworodka
40 - 105 cm / ≤19kg	Tyłem do kierunku jazdy		<4 lat	Pozycja 1-5	Rekomendujemy używanie wkładki dla noworodka do 60cm i wadze 13kg lub lub do momentu, kiedy dziecko z niej wyrośnie. Wkładka dodatkowo chroni dziecko przed uderzeniem bocznym.
76 - 105 cm / ≤19kg	Przodem do kierunku jazdy		15 miesięcy do 4 lat	Pozycja 1-5	Usuń wkładki i umieść uprząż w przeznaczonym do tego schowku

Wiek dziecka	Tryb montażu	Montaż	Blokada obrotu
<15 miesięcy	Tryb skierowania do tyłu	 	
>15 miesięcy	Tryb skierowania do tyłu/do przodu	 	

1 - Ten fotelik jest zgodny z Ulepszonym Systemem Zabezpieczenia Dziecka i-Size. Został on zatwierdzony przez regulację UN nr.129 do użytkowania w pojazdach kompatybilnych z systemem i-Size co potwierdza zapis w oficjalnej instrukcji pojazdu.

2 - W przypadku jakichkolwiek wątpliwości należy się skonsultować z producentem fotelika lub z lokalnym dostawcą.

⚠ OSTRZEŻENIE

Niestosowanie się do tych ostrzeżeń i instrukcji, może spowodować poważne obrażenia lub śmierć.

Upewnij się, że fotelik zainstalowany jest w taki sposób, że żaden z jego elementów nie zaburza pracy ruchomych elementów w samochodzie lub nie blokuje otwierania drzwi.

Pod żadnym pozorem nie montuj fotelika tyłem do kierunku jazdy na siedzeniu z aktywną poduszką powietrzną.

W celu użycia powyższego produktu zgodnie z regulacją UN nr.129, dziecko musi spełnić poniższe wymagania.

Ustawienie tyłem do kierunku jazdy:

Wzrost dziecka 40 - 105 cm/Waga dziecka ≤ 19 kg;

Ustawienie przodem do kierunku jazdy:

Wzrost dziecka 76 - 105 cm/Waga dziecka ≤ 19 kg;

WAŻNE - NIE NALEŻY INSTALOWAĆ FOTELIKA PRZODEM DO KIERUNKU JAZDY, ZANIM DZIECKO NIE PRZEKROCZY WIEKU 15 MIESIĘCY (patrz instrukcje).

Noga stabilizująca powinna stykać się z podłogą pojazdu, a pasy, którymi przypięte jest dziecko powinny być dopasowane do ciała dziecka. Pasy nie mogą być skręcone.

Należy upewnić się, że pas biodrowy jest zapięty nisko tak, aby obejmował również miednicę.

Pod żadnym pozorem nie kontynuuj użytkowania fotelika jeśli przeszedł jakikolwiek wypadek -nawet najmniejszy. Wymień go natychmiast, ponieważ może posiadać zniszczenia strukturalne, niewidoczne na pierwszy rzut oka.

NIE należy wykonywać żadnych zmian lub usprawnień w foteliku bez zatwierdzenia użytych części przez właściwy organ. Należy ściśle przestrzegać instrukcji instalacji, którą zapewnia producent fotelików dziecięcych.

Zabezpiecz fotelik przed działaniem promieni słonecznych, ponieważ po nagraniu może być zbyt gorący w kontakcie ze skórą dziecka. Zawsze sprawdzaj temperaturę tapicerki (szczególnie w upalne dni) przed usadzeniem dziecka w foteliku.

NIGDY nie zostawiaj dziecka w foteliku bez nadzoru osoby dorosłej.

Wszelki bagaż lub inne przedmioty, które mogą spowodować obrażenia ciała w razie kolizji powinny być prawidłowo zabezpieczone.

Fotejestl może nie pasować do wszystkich zatwierdzonych pojazdów jeśli używane w jednej z tych pozycji.

NIE używaj tego fotelika bez miękkich elementów.

Miękkie elementy nie powinny być wymieniane na żadne inne niż te, które zostały zarekomendowane przez producenta fotelika. Miękkie komponenty są integralną częścią wpływającą na system przytrzymywania dziecka.

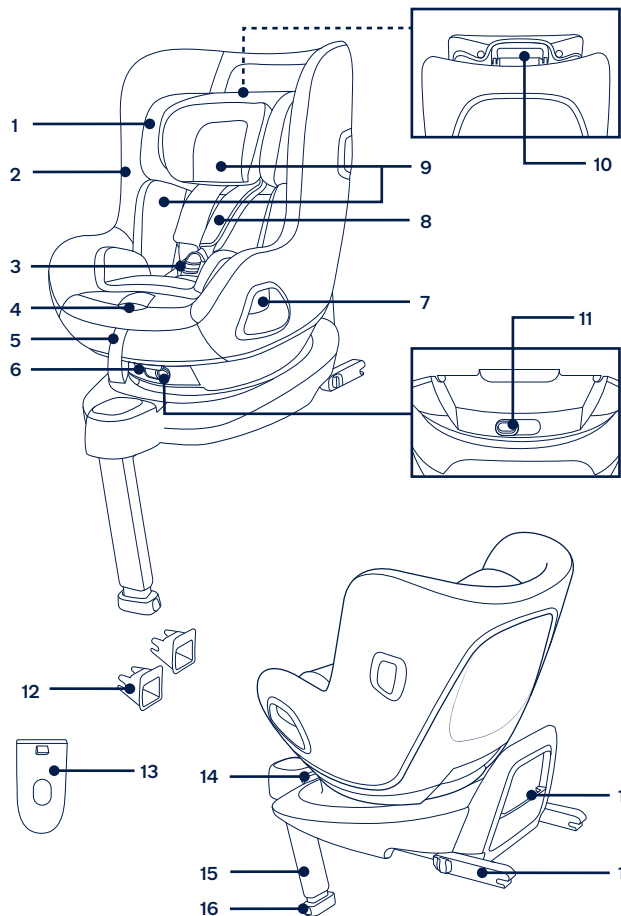
Instrukcja powinna być przechowywana w foteliku przez cały czas jego użytkowania.

Należy także zapoznać się z instrukcją obsługi i postępowania producenta pojazdu.

Lista części

Upewnij się, że wszystkie części znajdują się w zestawie zanim rozpoczniesz montaż. Jeśli brakuje jakiegokolwiek części, skontaktuj się z lokalnym sprzedawcą. Montaż nie wymaga użycia żadnych dodatkowych narzędzi.

- | | | | |
|----|---|----|---|
| 1 | Zagłówki | 11 | Blokada obrotu |
| 2 | Tapicerka | 12 | Prowadnice ISOFIX |
| 3 | Klamra | 13 | Wkładka zabezpieczenia przed uderzeniem bocznym |
| 4 | Przycisk regulacji upręży | 14 | Przycisk regulacji ISOFIX |
| 5 | Taśma ściągająca pasy | 15 | Wspornik obciążenia |
| 6 | Przycisk regulacji pozycji spoczynkowej | 16 | Przycisk regulacji wspornika obciążenia |
| 7 | Przycisk obrotu fotela | 17 | Złącze ISOFIX |
| 8 | Nakładki naramienne | 18 | Wnęka przechowywania instrukcji obsługi |
| 9 | Wkładka dla noworodka | | |
| 10 | Uchwyt regulacji zagłówka | | |



Konfiguracja produktu

Wskazówki dotyczące instalacji

Fotelik może być montowany na kanapach pojazdów z zatwierdzoną pozycją mocowania w systemie i-Size ISOFIX. **(1)**

NIE należy instalować fotelika samochodowego dla dziecka tyłem do kierunku jazdy na siedzeniu z aktywną poduszką powietrzną. **(2)** Może to spowodować śmierć lub poważne obrażenia. Aby pozyskać więcej informacji, zapoznaj się z instrukcją obsługi swojego samochodu.

NIE należy instalować fotelika samochodowego dla dziecka na kanapach pojazdu, które ustawione są bokiem lub tyłem do kierunku jazdy.

Dalsze informacje dotyczące zalecanych lub sugerowanych pozycji montażu znajdują się w instrukcji pojazdu. **(3)**

Zaleca się montowanie fotelika na tylnym siedzeniu pojazdu. **(4)**

Korzystanie z produktu

Montaż

- 1 - Nakieruj wkładki pilotujące ISOFIX na mocowania ISOFIX w samochodzie. (sprawdź podręcznik właściciela pojazdu). **(5)** Wkładki zabezpieczą kanapę w samochodzie przed rozpruciem, jak również naprowadzą złącza ISOFIX.
 - 2 - Rozłóż nogę stabilizującą. **(6)**
 - 3 - Wysuń złącza ISOFIX poprzez naciśnięcie przycisku zwalniania, jednocześnie pociągając złącze. **(7)**
 - 4 - Naciśnij przycisk regulatora mocowania ISOFIX, aby wyregulować złącza ISOFIX. Umieść w linii zaczepy ISOFIX oraz wkładki pilotujące, a następnie wepnij zaczepy ISOFIX w punkty mocowania ISOFIX w samochodzie. **(8)**
- ! Upewnij się, że oba zaczepy ISOFIX są właściwie wpasowane w punktach mocowania w samochodzie. Powinieneś usłyszeć dwa kliknięcia, a kolor wskaźników w obu zaczepach powinien być całkowicie zielony. **(8)-1**
- ! Pociągnij za zaczepy ISOFIX, aby upewnić się, że są prawidłowo zamontowane.

- 5 - Po zamontowaniu bazy na kanapie w samochodzie, wydłuż nogę stabilizującą tak, aby dotykała podłogi samochodu. **(9)** Wskaźnik długości nogi pokaże kolor zielony, gdy zostanie zamontowana prawidłowo. Czerwony kolor oznacza, że montaż jest nieprawidłowy. **(9)-2**

Noga stabilizująca posiada kilka poziomów regulacji. Gdy wskaźnik długości nogi pokazuje kolor czerwony, oznacza to, iż jej pozycja jest nieprawidłowa.

- ! Upewnij się, że noga stabilizująca całkowicie przylega do podłogi auta.
- ! Aby skrócić nogę, naciśnij przycisk regulacji nogi i pociągnij ją do góry. **(9)-1**

Zamontowaną bazę pokazano na rysunku **(10)**.

- ! Złącza ISOFIX muszą być zabezpieczone w punktach mocowania ISOFIX. **(10)-1**
 - ! Zielony wskaźnik na nodze stabilizującej potwierdza poprawność instalacji. **(10)-2**
- 6 - Aby usunąć bazę, naciśnij najpierw drugi przycisk blokady **(11)-1**, a następnie przycisk **(11)-2** na złączach ISOFIX, przed usunięciem bazy z siedzenia pojazdu. **(11)**
 - 7 - W celu przeniesienia, naciśnij przycisk regulacji ISOFIX i przesun złącza ISOFIX do tyłu do pozycji przechowywania. **(12)**

Zastosowanie osłon bocznych

- 1 - Fotelik został wyposażony w odłączane absorbery boczne (strefy zgniotu). Do jazdy należy aktywować boczne absorbery w celu lepszej ochrony przed uderzeniami bocznymi tylko po stronie znajdującej się najbliższej drzwi. Patrz rys **(13)**.
- 2 - Naciśnij przycisk zwalniania, aby odłączyć absorber boczny. **(14)**

Regulacja wysokości zagłówka i pasów bezpieczeństwa

Wyreguluj wysokość zagłówka i sprawdź, czy mocowanie górnych pasów znajduje się na prawidłowej wysokości zgodnie z **(15)-(18)**.

- ! Mocowanie górnych pasów w trybie tyłem do kierunku jazdy powinno znajdować się w pozycji jak najbliższej ramion, jednak nie powyżej linii barków. **(15)**

- ! Mocowanie górnych pasów w trybie przodem do kierunku jazdy powinno znajdować się w pozycji jak najbliżej ramion, na linii barków. (16)

Złap uchwyt regulacji wysokości zagłówek (17), ciągnij zagłówek w górę lub w dół, aż zablokuje się w jednej z 6 możliwych wysokości. (18)

Regulacja pozycji spoczynkowej

- 1- Wciśnij przycisk regulacji pozycji spoczynkowej, aby dopasować fotelik do odpowiedniej pozycji. (19)
- 2- Możliwe ustawienie 5 pozycji nachylenia w trybie tyłem i przodem do kierunku jazdy. (20)

Tryb instalacji tyłem do kierunku jazdy

(Wzrost dziecka 40cm-105 cm/Waga dziecka ≤ 19 kg)

- ! Zainstaluj fotel na tylnej kanapie pojazdu, a następnie usadź w nim dziecko.
 - ! Podczas używania podwyższonego fotelika samochodowego w trybie skierowania do tyłu, przesun blokadę obrotu w prawo. (21)
- 1- Naciśnij i przytrzymaj przycisk regulacji ISOFIX i pchnij system podwyższonego fotelika dla dziecka do tyłu, aż do zetknięcia z tyłem siedzenia pojazdu. (22)
 - 2- Naciśnij przycisk obrotu, aby obrócić fotel w celu łatwiejszego usadzenia/wyjmowania dziecka, a następnie do pozycji przewożenia tyłem do kierunku jazdy. (23)
 - ! Naciśnij przycisk obrotu z dowolnej strony, aby obrócić fotelik.
 - ! Zawsze należy się upewnić, że fotelik samochodowy znajduje się w pozycji blokady (tyłem do kierunku jazdy / przodem do kierunku jazdy), nawet jeśli nie ma w nim dziecka.
 - 3- Podczas naciskania przycisku regulacji, który znajduje się z przodu fotelika, pociągnij oba mocowania naramiennych pasów bezpieczeństwa w foteliku. (24)
 - 4- Odblokuj klamrę pasa poprzez naciśnięcie czerwonego przycisku. (25)
 - 5- Uchwyty klamry uprząży umieść po bokach fotelika za pomocą magnesów dla wygody usadzenia dziecka w foteliku. (26)

Zabezpieczanie dziecka w foteliku samochodowym z zastosowaniem wkładki dla noworodka



Rekomendujemy używanie wkładki dla noworodka do 60cm (ok. 13kg) wzrostu lub do momentu, kiedy dziecko z niej wyrośnie.

Wkładka dodatkowo chroni dziecko przed uderzeniem bocznym.

- 6- Umieść dziecko w foteliku i przelóż oba ramiona dziecka przez pasy naramienne.
- 7- Zatrzasknij klamrę. Sprawdź (27).
- 8- Obróć fotelik tyłem do kierunku jazdy, aż pokaże się kolor zielony na wskaźniku. (28)
- 9- Pociągnij w dół taśmę ściągającą i dopasuj właściwą długość pasów tak, aby dziecko było właściwie zabezpieczone. (29)
 - ! Zawsze zabezpieczaj dziecko pasami wewnętrznymi (uprząż) i upewnij się czy są zapięte we właściwy sposób- bez luzów.

Tryb instalacji przodem do kierunku jazdy

(Wzrost dziecka 76cm-105 cm/ Waga dziecka ≤ 19 kg)
(Wiek dziecka ≥ 15 miesięcy)

- ! Zainstaluj fotel na tylnej kanapie pojazdu, a następnie usadź w nim dziecko.
 - ! Podczas używania podwyższonego fotelika samochodowego w trybie skierowania do przodu, przesun blokadę obrotu w lewo. (30)
- 1- Naciśnij i przytrzymaj przycisk obrotu, aby obrócić fotelik w celu ułatwienia wkładania/wyjmowania dziecka z boku, a następnie obróć fotelik do pozycji przewożenia, przodem do kierunku jazdy. (31)(32)
 - ! Przycisk obrotu fotela znajduje się po obu stronach siedziska.
 - ! Zawsze należy się upewnić, że fotelik samochodowy znajduje się w pozycji blokady (tyłem do kierunku jazdy / przodem do kierunku jazdy), nawet jeśli nie ma w nim dziecka.

- 2 - Podczas naciskania przycisku regulacji uprząży, który znajduje się z przodu fotelika, wyciągnij oba mocowania naramiennych pasów do wymaganej długości. **(33)**
- 3 - Odblokuj klamrę pasa poprzez naciśnięcie czerwonego przycisku. **(34)**
 - ! Podczas instalacji fotelika przodem do kierunku jazdy należy usunąć wkładkę dla noworodka.
- 4 - Uchwyty klamry uprząży umieść po bokach fotelika za pomocą magnesów dla wygody usadzania dziecka w foteliku. **(35)**
- 5 - Gdy fotelik zostanie poprawnie obrócony przodem do kierunku jazdy, wskaźnik zaświeci się na zielono. **(36)**
- 6 - Naciągnij i dopasuj pasy bezpieczeństwa pociągając za taśmę z przodu fotela. **(37)**
 - ! Upewnij się, że przestrzeń pomiędzy ciałem dziecka, a górnym pasem nie przekracza grubości jednej dłoni.
 - ! **NIE** należy używać trybu instalacji przodem do kierunku jazdy, aż do osiągnięcia przez dziecko wzrostu co najmniej 76cm i wieku 15 miesięcy.

Detach & Assemble Soft Goods

Press the red button to disengage the buckle. **(38)**

Follow steps **(39)** - **(44)** to detach soft goods.

To re-attach the soft goods please repeat the above steps in reverse.

Czyszczenie i konserwacja

Wkładkę dla noworodka należy przechowywać w miejscu poza zasięgiem dziecka.

Elementy miękkie należy prać w zimnej wodzie o temperaturze poniżej 30°C.

NIE należy prasować elementów miękkich.

NIE należy wybielać lub czyścić chemicznie elementów miękkich.

NIE używaj nierozcieńczonych detergentów, benzyny lub innych rozpuszczalników do mycia fotelika. Może to spowodować zniszczenie fotelika.

NIE należy wykręcać na siłę elementów miękkich w celu ich wysuszenia. Może to spowodować ich pofałdowanie.

Elementy miękkie należy suszyć w cieniu w pozycji pionowej.

Wymontuj fotelik z samochodu, jeśli nie używasz go przez dłuższy okres czasu. Schowaj fotelik w chłodnym, suchym miejscu tak, aby dziecko nie miało do niego dostępu.

DŮLEŽITÉ!
TYTO POKYNY
USCHOVEJTE PRO
BUDOUCÍ POUŽITÍ:
POZORNĚ ČTĚTE

Obsah

Informace o produktu	115
Záruka	
Kontakt	
Požadavky na používání s dítětem	116
Varování	117
Seznam dílů	119
Sestavení produktu	121
Používání produktu	121
Čištění a údržba	126

Informace o produktu

Číslo modelu: _____

Datum výroby: _____

Záruka

Naše vysoce kvalitní produkty jsou navrženy tak, aby mohly růst s vaším dítětem i s vaší rodinou. Protože si za svým produktem stojíme, vztahuje se na něj individuální záruka na produkt, která začíná platit dnem jeho zakoupení. Než nás budete kontaktovat, připravte si doklad o zakoupení, číslo modelu a datum výroby.

Informace o záruce najdete na webu:

www.nunababy.com

Klikněte na odkaz „Záruka“ na domovské stránce.

Kontakt

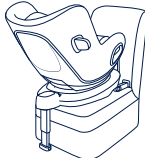
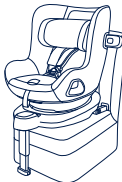
V případě náhradních dílů, servisu nebo dalších dotazů k záruce kontaktujte prosím naše oddělení zákaznického servisu.



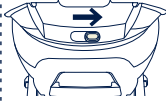


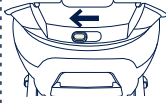
info@nunababy.com

www.nunababy.com

Požadavky na používání s dítětem

Tento produkt je vhodný pro děti, které splňují následující požadavky:

Velikost dítěte	Režim instalace	Obrázek instalace	Doporučený věk	Pozice sedadla	Pokyny pro novorozence
40 cm - 105 cm/≤19kg	Proti směru jízdy		< 4 roky	Pozice 1-5	Doporučujeme používat kompletní vložku pro novorozence pro dítě do výšky 60 cm a hmotnosti ≤13 kg. Lze ji používat do té doby, dokud dítě z vložky nevyroste. Tato vložka zvyšuje ochranu proti bočnímu nárazu.
76cm - 105 cm/≤19kg	Po směru jízdy		15 měsíců až 4 roky	Pozice 1-5	Při používání po směru jízdy vyjměte novorozeneckou vložku.

Věk dítěte	Režim instalace	Instalace	Zámek natažení koleček
< 15 měsíců	Proti směru jízdy	 	
> 15 měsíců	Režim proti/ po směru jízdy	 	

- 1 - Toto je vylepšená dětská autosedačka „i-Size“. Byla schválena v souladu s předpisem OSN č. 129 pro používání na místech k sezení v vozu, která jsou kompatibilní se standardem i-Size, jak je uvedeno výrobcem vozu v návodu na použití vozu.
- 2 - Pokud si nebudete jisti, obraťte se na výrobce nebo prodejce této vylepšené dětské autosedačky.

VAROVÁNÍ

Nedodržení těchto varování a pokynů může vést k vážnému zranění nebo smrti.

DBEJTE na to, aby pevné předměty a plastové části této vylepšené dětské autosedačky byly umístěny a instalovány tak, aby nemohly být zachyceny pohyblivým sedadlem nebo dveřmi vozidla.

NEPOUŽÍVEJTE vylepšenou dětskou autosedačku v orientaci proti směru jízdy na sedadlech, na kterých je nainstalován aktivní čelní airbag.

Abyste bylo možné používat tuto dětskou autosedačku v souladu s předpisem OSN č. 129, musí vaše dítě splňovat následující požadavky.

Orientace proti směru jízdy:

Výška dítěte 40 cm - 105 cm/hmotnost dítěte ≤ 19 kg;

Orientace po směru jízdy:

Výška dítěte 76cm - 105 cm/hmotnost dítěte ≤ 19 kg;

DŮLEŽITÉ - NEPOUŽÍVEJTE ORIENTACI PO SMĚRU JÍZDY, DOKUD VĚK DÍTĚTE NEPŘESÁHNE 15 MĚSÍCŮ (viz návod)

Opěrná noha se musí dotýkat podlahy vozidla. Všechny popruhy zajišťující dítě musí být nastaveny podle jeho těla. Popruhy nesmí být zkroucené.

Zkontrolujte, aby nebyl žádný z bederních popruhů v dolní části opotřebovaný a aby byla pánev pevně zajištěna.

Pokud byla tato vylepšená dětská autosedačka vystavena nadměrnému pnutí při dopravní nehodě, musí být vyměněna. Při dopravní nehodě může dojít ke skrytému poškození.

Zvažte nebezpečí, které s sebou nesou jakékoli úpravy nebo doplňky tohoto zařízení, které nebyly schváleny kompetentním orgánem. Dále zvažte nebezpečí, které vyplývá z nedodržení pokynů pro instalaci od výrobce této vylepšené dětské autosedačky.

Tuto vylepšenou dětskou autosedačku uchovávejte mimo přímé sluneční světlo. V opačném případě bude příliš horká pro pokožku dítěte. Před umístěním dítěte vždy dotykem zkontrolujte teplotu vylepšené dětské autosedačky.

Neponechávejte děti ve vylepšené dětské autosedačce bez dozoru.

Veškerá zavazadla nebo jiné předměty, které v případě nehody mohou způsobit zranění, musí být řádně zajištěny.

Je možné, že tuto vylepšenou dětskou autosedačku nebude možné umístit do schválených vozů při použití v některé z těchto poloh.

Tuto vylepšenou dětskou autosedačku **NELZE** používat bez látkových potahů.

Látkové potahy smí být nahrazeny pouze podle doporučení výrobce, protože se nedílnou částí podílejí na účinnosti autosedačky.

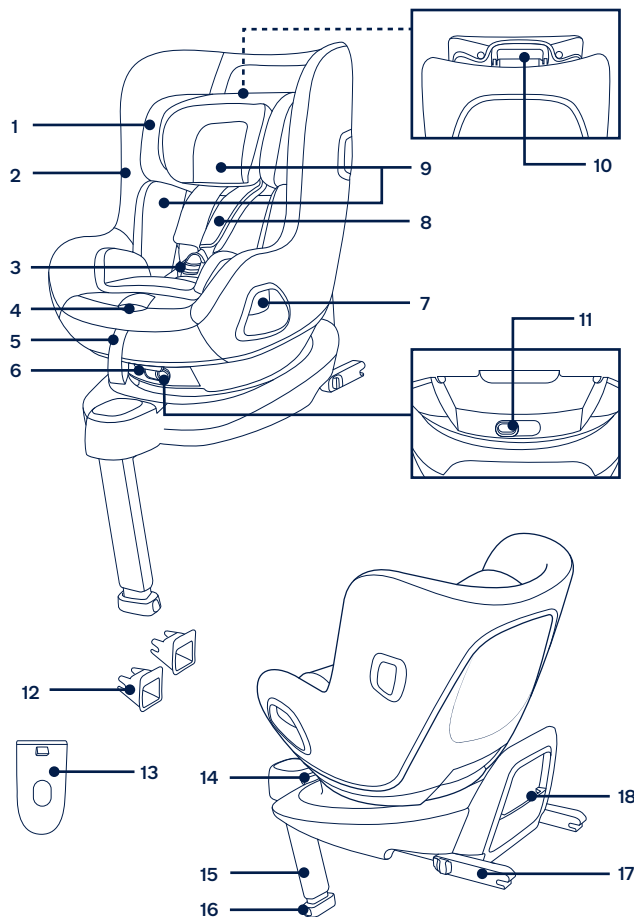
Pokyny je třeba uchovávat ve vylepšené dětské autosedačce po celou dobu používání.

Rovněž věnujte pozornost pokynům a varováním v příručce výrobce vozu.

Seznam dílů

Před sestavením se ujistěte, že nechybí žádné součásti. V případě, že některá součást chybí, kontaktujte prodejce. K sestavení nejsou zapotřebí žádné nástroje.

- | | | | |
|----|------------------------------|----|--------------------------------|
| 1 | Podhlavník | 11 | Zámek natočení koleček |
| 2 | Vložka sedačky | 12 | Vodítka ISOFIX |
| 3 | Přezka | 13 | Ochrana proti bočnímu nárazu |
| 4 | Tlačítko nastavení postroje | 14 | Tlačítko nastavení ISOFIX |
| 5 | Pás nastavení délky postroje | 15 | Opěrná noha |
| 6 | Tlačítko nastavení sklonu | 16 | Tlačítko nastavení opěrné nohy |
| 7 | Tlačítko otáčení | 17 | Konektor ISOFIX |
| 8 | Vložky ramenního postroje | 18 | Přihrádky na návod |
| 9 | Novorozenecká vložka | | |
| 10 | Páčka nastavení opěrky hlavy | | |



Sestavení produktu

Upozornění k instalaci

Tato vylepšená dětská autosedačka je vhodná pouze pro automobilová sedadla, která jsou vybavená ukotvovacími oky ISOFIX. (1)

NEPOUŽÍVEJTE vylepšenou dětskou autosedačku v orientaci proti směru jízdy na sedadlech, na kterých je nainstalován aktivní čelní airbag. (2) Mohlo by dojít k úmrtí nebo k vážnému zranění. Vyhleďte další informace v návodu na používání automobilu.

NEINSTALUJTE tuto vylepšenou dětskou autosedačku na sedadla vozu, která směřují do strany nebo dozadu vzhledem ke směru pohybu vozu.

Informace o doporučených instalačních pozicích najdete v návodu pro uživatele vozu. (3)

Doporučujeme nainstalovat tuto vylepšenou dětskou autosedačku na zadní sedadlo vozu. (4)

Používání produktu

Instalace

- 1- Připevněte vodička ISOFIX k ukotvovacím okům ISOFIX ve voze (viz návod k používání vozu). (5) Vodička ISOFIX chrání potah sedadel před potrháním. Rovněž mohou vést konektory ISOFIX.
- 2- Vyklopte opěrnou nohu z úložného prostoru. (6)
- 3- Stiskněte tlačítko nastavení ISOFIX a zároveň vytáhněte konektory ISOFIX. (7)
- 4- Stiskněte tlačítko nastavení ISOFIX a nastavte konektory ISOFIX. Zorientujte konektory ISOFIX s vodičky ISOFIX a potom zacvakněte oba konektory ISOFIX do ukotvovacích ok ISOFIX. (8)
 - ! Ujistěte se, že jsou oba konektory ISOFIX pevně uchyceny k příslušným ukotvovacím okům ISOFIX. Při správném uchycení se musí ozvat dvě cvaknutí a indikátory na obou konektorech ISOFIX musí být zcela zelené. (8)-1
 - ! Zatažením za oba konektory ISOFIX zkontrolujte, zda je základna řádně nainstalována.

- 5- Umístěte základnu na sedadlo vozidla a vysuňte opěrnou nohu k podlaze (9). Když je indikátor opěrné nohy zelený, znamená to, že opěrná noha je nainstalována správně. Červená znamená, že není nainstalována správně. (9)-2

Opěrná noha má několik pozic. Když je indikátor opěrné nohy červený, znamená to, že se opěrná noha nachází v nesprávné pozici.

- ! Opěrná noha musí být v plném kontaktu s podlahou vozidla.
- ! Stiskněte uvolňovací tlačítko opěrné nohy a potom nohu zkraťte směrem nahoru. (9)-1

Kompletně sestavená základna je zobrazena pod číslem (10)

- ! Konektory ISOFIX musí být připevněny a zajištěny do ukotvovacích ok ISOFIX. (10)-1
- ! Opěrná noha musí být nainstalována správně se zeleným indikátorem. (10)-2

- 6- Chcete-li sejmout základnu, nejdříve stiskněte tlačítko sekundárního zámku (11)-1 a potom tlačítko (11)-2 na konektorech ISOFIX. Potom sejměte základnu ze sedadla vozu. (11)
- 7- Pro převážení stiskněte tlačítko nastavení ISOFIX a zasuňte konektory ISOFIX do úložné polohy. (12)

Použití ochrany proti bočnímu nárazu

- 1- Tato vylepšená dětská autosedačka je dodávána s odnímatelnou ochranou proti bočnímu nárazu. Tato ochrana proti bočnímu nárazu **MUSÍ** být použita na straně u dveří vozidla. Instalace je uvedena na obrázku (13).
- 2- Chcete-li ochranu proti bočnímu nárazu odejmout, stiskněte uvolňovací tlačítko. (14)

Výškové nastavení

pro hlavovou opěrku a ramenní pásy

Nastavte hlavovou opěrku a zkontrolujte, zda se ramenní pásy nacházejí ve správné výšce podle (15)-(18).

- ! Při používání proti směru jízdy musí být ramenní pásy zároveň s horní stranou ramen dítěte nebo těsně pod ní. (15)
- ! Při používání po směru jízdy musí být ramenní pásy zároveň s horní stranou ramen dítěte. (16)

Zatáhněte za páčku pro nastavení výšky (17) a zároveň ji zatáhněte nahoru nebo dolů, dokud nezapadne do jedné ze 6 pozic. Pozice hlavové opěrky jsou uvedeny na obrázku (18).

Nastavení sklonu

- 1- Stiskněte tlačítko nastavení sklonu a nastavte vylepšenou dětskou autosedačku do správné pozice. (19)
- 2- Režim proti a po směru jízdy mají 5 pozic náklonu, úhly náklonu viz obrázek. (20)

Proti směru jízdy

(Výška dítěte 40 cm - 105 cm/hmotnost dítěte ≤19kg)

- ! Nainstalujte vylepšenou dětskou autosedačku na zadní sedadlo vozu a poté do ní usadte dítě.
 - ! Chcete-li otočit vylepšenou dětskou autosedačku do orientace proti směru jízdy, posuňte tlačítko zámku otáčení doprava. (21)
- 1- Stiskněte a podržte tlačítko nastavení ISOFIX a zatlačte vylepšenou dětskou autosedačku dozadu tak, aby se dotýkala opěraku sedadla vozu. (22)
 - 2- Stisknutím a podržením otočného tlačítka zaměňte stranu pro snazší vkládání/vyjímání dítěte. Potom otočte sedačku do polohy proti směru jízdy. (23)
 - ! Stiskněte tlačítko otáčení na některé straně a otočte vylepšenou dětskou autosedačku.
 - ! Vždy se ujistěte, že je dětská sedačka v zajištěné poloze (proti/po směru jízdy), i když v ní není dítě.
- 3- Stiskněte tlačítko nastavení pro postroje a zároveň vytáhněte ramenní postroj do požadované délky (tahejte zpod pevných ramenních vložek). (24)
 - 4- Stisknutím červeného tlačítka uvolněte přezku postroje. (25)
 - 5- Položte jazýčky přezky k magnetické části na vnější straně vylepšené dětské autosedačky tak, aby se jazýčky zachytily na místě. (26)

Použití vložky pro novorozence



Doporučujeme používat kompletní vložku pro novorozence pro dítě do výšky 60 cm a hmotnosti ≤13 kg. Lze ji používat do té doby, dokud dítě z vložky nevyroste.

Tato vložka zvyšuje ochranu proti bočnímu nárazu.

- 6- Usadte dítě do vylepšené dětské autosedačky a protáhněte obě jeho ruce skrz postroj.
- 7- Zapněte sponu. Viz obrázek (27).
- 8- Otočte vylepšenou dětskou autosedačku proti směru jízdy. Indikátor vylepšené dětské autosedačky má nyní zelenou barvu. (28)
- 9- Zatáhněte za pás nastavení délky postroje a utáhněte je tak, aby bylo dítě pevně připoutáno. (29)
- ! Vždy uchovávejte dítě zajištěné v řádně utaženém postroji bez zbytečné vůle.

Po směru jízdy

(Výška dítěte 76 cm - 105 cm/ hmotnost dítěte ≤19kg)
(věk dítěte ≥15 měsíců)

- ! Nainstalujte vylepšenou dětskou autosedačku na zadní sedadlo vozu a poté do ní usadte dítě.
 - ! Chcete-li otočit vylepšenou dětskou autosedačku do orientace po směru jízdy, posuňte tlačítko zámku otáčení doleva. (30)
- 1- Stisknutím a podržením otočného tlačítka zaměňte stranu pro snazší vkládání/vyjímání dítěte. Potom otočte sedačku do polohy po směru jízdy. (31)(32)
 - ! Stiskněte tlačítko otáčení na některé straně a otočte vylepšenou dětskou autosedačku.
 - ! Vždy se ujistěte, že je dětská sedačka v zajištěné poloze (proti/po směru jízdy), i když v ní není dítě.

- 2 - Stiskněte tlačítko nastavení pro postroje a zároveň vytáhněte ramenní postroj do požadované délky (tahejte spod pevných ramenních vložek). (33)
- 3 - Stisknutím červeného tlačítka uvolněte přezku postroje. (34)
! Při používání po směru jízdy vyjměte novorozeneckou vložku.
- 4 - Položte jazýčky přezky k magnetické části na vnější straně vylepšené dětské autosedačky tak, aby se jazýčky zachytily na místě. (35)
- 5 - Otočte vylepšenou dětskou autosedačku po směru jízdy, indikátor vylepšené dětské autosedačky bude mít zelenou barvu. (36)
- 6 - Zatáhněte za pás nastavení délky postroje a utáhněte je tak, aby bylo dítě pevně připoutáno. (37)
! Vždy uchovávejte dítě zajištěné v řádně utazeném postroji bez zbytečné vůle.
! **NEPOUŽÍVEJTE** po směru jízdy, pokud vaše dítě neměří alespoň 76 cm A nemá alespoň 15 měsíců.

Sejmutí a montáž látkových částí

Stiskněte červené tlačítko pro odepnutí spony. (38)

Sejměte látkové části podle kroků (39) - (44).

Při nasazování hlavové opěrky a novorozenecké vložky postupujte podle výše uvedených pokynů v obráceném pořadí.

Čištění a údržba

Novorozeneckou vložku skladujte mimo dosah dětí.

Látkové části umývejte vlažnou vodou do teploty 30°C.

Látkové části **NEŽEHLETE**.

Na látkové části **NEPOUŽÍVEJTE** bělidlo ani je nečistěte za sucha.

K mytí této vylepšené dětské autosedačky **NEPOUŽÍVEJTE** nezředěné neutrální detergenty, benzín ani jiná organická rozpouštědla. Mohlo by dojít k poškození vylepšené dětské autosedačky.

NEŽDÍMEJTE látkové části sedačky velkou silou. Může to na látkových částech zanechat záhyby.

Látkové části sušte zavěšené ve stínu.

Pokud tuto vylepšenou dětskou autosedačku nebudete delší dobu používat, vyjměte ji z vozidla.

DÔLEŽITÉ!
UCHOVAJTE TIETO
POKYNY PRE
NESKORŠIE POUŽITIE:
POZORNE SI
PREČÍTAJTE

Obsah

Informácie o výrobku	129
Záruka	
Kontakt	
Požiadavky na používanie s deťmi	130
Výstraha	131
Zoznam jednotlivých častí	133
Zostavenie výrobku	135
Používanie výrobku	135
Čistenie a údržba	140

Informácie o výrobku

Číslo modelu: _____

Dátum výroby: _____

Záruka

Zámezne sme navrhli naše výrobky vysokej kvality tak, aby mohli rásť s vaším dieťaťom aj vašou rodinou. Pretože si stojíme za naším výrobkom, naše vybavenie je kryté vlastnou zárukou na každý výrobok, začínajúc dňom zakúpenia. Ak nás budete kontaktovať, pripravte si doklad o kúpe, číslo modelu a dátum výroby.

Viac informácií o záruke nájdete na stránke:

www.nunababy.com

Na domovskej stránke kliknite na odkaz „Záruka“.

Kontakt

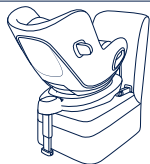
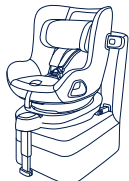
OĤadne náhradných dielov, servisu alebo ďalších otázok o záruke sa obráťte na naše oddelenie služieb zákazníkom.

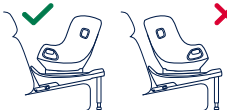


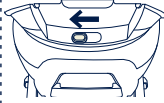
info@nunababy.com

www.nunababy.com

Požiadavky na používanie s deťmi

Tento výrobok je vhodný na používanie s deťmi, ktoré spĺňajú nasledujúce požiadavky:

Veľkosť dieťaťa	Režim inštalácie	Obrázok so znázornením inštalácie	Referenčný vek	Poloha sedačky	Pokyny k doječenskej vložke
40 až 105 cm/≤19kg	Režim smerovania tvárou dozadu		< 4 roky	Poloha 1 - 5	Odporúčame používať celú doječenskú vložku, kým má dieťa menej ako 60cm a ≤ 13 kg. Môže sa používať, kým z vložky nevyrastú. Doječenská vložka zvyšuje ochranu pri bočnom náraze.
76 až 105 cm/≤19kg	Režim smerovania tvárou dopredu		15 mesiacov až 4 roky	Poloha 1 - 5	V režime smerovania tvárou dopredu vyberte doječenskú vložku.

Vek dieťaťa	Režim inštalácie	Inštalácia	Zámok otáčania
< 15 mesiacov	Režim smerovania tvárou dozadu		
> 15 mesiacov	Režim smerovania tvárou dozadu/dopredu		

- 1 - Toto je Zosilnený detský zadržiavací systém „i-Size“. Je schválený podľa Predpisu OSN č. 129 na použitie v sedadle na sedenie pre vozidlá kompatibilné so systémom i-Size podľa toho, ako uvádzajú výrobcovia vozidiel v príručke používateľa vozidla.
- 2 - V prípade pochybností sa obráťte na výrobcu alebo predajcu Zosilneného detského zadržiavacieho systému.

⚠ VÝSTRAHA

Nedodržanie týchto výstrah a pokynov môže viesť k vážnemu poraneniu alebo smrti.

BUĎTE OBOZRETNÍ a dbajte na to, aby pevné predmety a plastové časti zosilneného detského zadržiavacieho systému boli umiestnené a inštalované tak, aby nebolo možné ich zachytenie do pohyblivých sedadiel alebo dverí vozidla.

NEPOUŽÍVAJTE zosilnený detský zadržiavací systém na miestach na sedenie, kde je nainštalovaný aktívny čelný airbag.

Na používanie tejto zosilnenej detskej autosedačky podľa Predpisu OSN č. 129 musí vaše dieťa spĺňať nasledujúce požiadavky.

Pri smerovaní tvárou dozadu:

Výška dieťaťa 40 cm – 105 cm/Hmotnosť dieťaťa ≤19kg.

Pri smerovaní tvárou dopredu:

Výška dieťaťa 76cm – 105 cm/Hmotnosť dieťaťa ≤19kg.

DÔLEŽITÉ - NEPOUŽÍVAJTE REŽIM TVÁROU DOPREDU, KÝM VEK DIEŤAŤA NEPREKROČÍ 15 MESIACOV (postupujte podľa pokynov)

Každá oporná noha musí byť v kontakte s podlahou vozidla a všetky popruhy, ktoré držia dieťa musia byť prispôbené telu dieťaťa. Popruhy nesmú byť skrútené.

Zaistite, aby bedrový popruh prechádzal nízko v spodnej časti s pevne pripútanou panvou a musí byť napnutý.

Táto zosilnená detská autosedačka sa musí vymeniť v prípade, že bola vystavená intenzívnemu namáhaniu pri nehode. Nehoda môže spôsobiť poškodenie, ktoré nemusí byť viditeľné.

Berte do úvahy nebezpečenstvo vyplývajúce z vykonávania akýchkoľvek zmien alebo doplnení zariadenia bez súhlasu zodpovedajúceho orgánu a nebezpečenstva vyplývajúceho z toho, že sa nebudú dôsledne dodržiavať pokyny na inštaláciu poskytnuté výrobcom zosilnenej detskej autosedačky.

Udržiavajte túto zosilnenú detskú autosedačku mimo priameho slnečného svetla, v opačnom prípade môže byť pre pokožku dieťaťa príliš horúca. Pred vložením dieťaťa do zosilnenej detskej autosedačky vždy otestujte teplotu tým, že sa jej dotknete.

Deti sa v zosilnenom detskom zadržiavacom systéme nesmú nechávať bez dozoru.

Akákoľvek batožina alebo iné predmety, ktoré by mohli spôsobiť zranenie v prípade kolízie, sa musia správnym spôsobom zaistiť.

Zosilnená detská autosedačka nemusí byť vhodná pre všetky schválené vozidlá, ak sa bude používať v jednej z týchto polôh.

Zosilnený detský zadržiavací systém sa **NESMIE POUŽÍVAŤ** bez mäkkých textílií.

Mäkké textílie sa nesmú nahrádzať inými než odporúčanými výrobcom, pretože mäkké textílie tvoria neoddeliteľnú súčasť charakteristických vlastností detskej autosedačky.

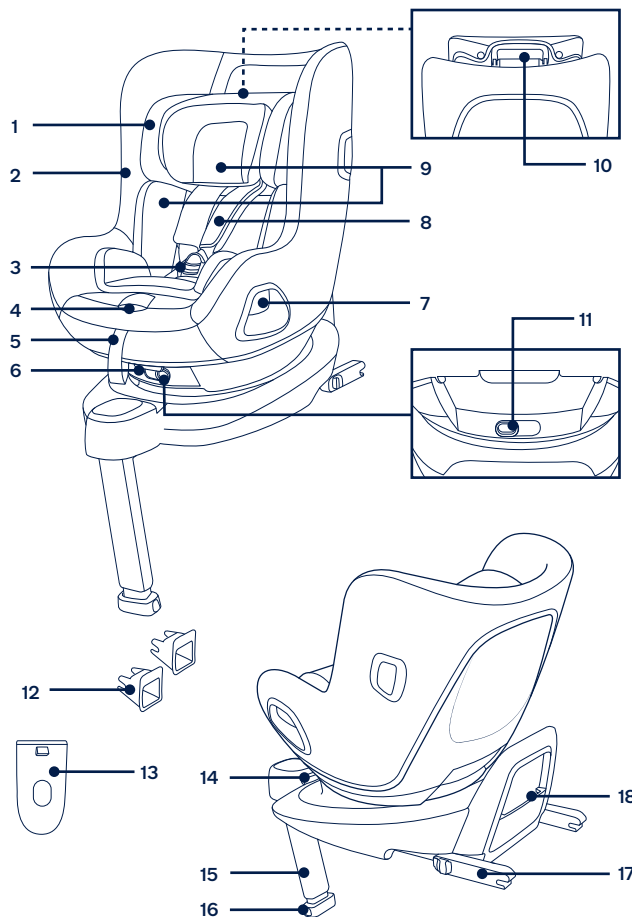
Pokyny sa musia uchovávať v zosilnenej detskej autosedačke po celú dobu jej životnosti.

Riadte sa tiež pokynmi a výstrahami v príručke výrobcu vozidla.

Zoznam jednotlivých častí

Pred zostavením skontrolujte, či máte všetky časti. Ak chýba ktorákoľvek časť, obráťte sa na miestneho predajcu. Na zostavenie nie sú potrebné žiadne nástroje.

- | | | | |
|----|-----------------------------------|----|--------------------------------------|
| 1 | Opierka hlavy | 11 | Zámok otáčania |
| 2 | Čalúnenie sedačky | 12 | Vodiace prvky ISOFIX |
| 3 | Spona | 13 | Modul ochrany proti bočnému nárazu |
| 4 | Nastavovacie tlačidlo popruhov | 14 | Nastavovacie tlačidlo ISOFIX |
| 5 | Nastavovací popruh | 15 | Oporná noha |
| 6 | Tlačidlo na nastavenie sklonu | 16 | Tlačidlo na nastavenie opornej nohy |
| 7 | Tlačidlo otáčania | 17 | Prípojka ISOFIX |
| 8 | Kryty ramenných popruhov | 18 | Úložný priestor na Návod na použitie |
| 9 | Dojčenská vložka | | |
| 10 | Páčka na nastavenie opierky hlavy | | |



Zostavenie výrobku

Záležitosti týkajúce sa inštalácie

Tento zosilnený detský zadržiavací systém je vhodný len pre sedadlá vozidiel vybavené kotevnými tyčkami ISOFIX. (1)

NEPOUŽÍVAJTE zosilnený detský zadržiavací systém na miestach na sedenie, kde je nainštalovaný aktívny čelný airbag. (2) Môže dôjsť k usmrteniu alebo vážnemu zraneniu. Viac informácií nájdete v návode na obsluhu vozidla.

NEINŠTALUJTE tento zosilnený detský zadržiavací systém na sedadlá vozidla, ktoré smerujú do boku alebo dozadu vzhľadom na smer pohybu vozidla.

Odporúčané alebo navrhované polohy inštalácie nájdete v návode na obsluhu vozidla. (3)

Odporúča sa inštalovať túto zosilnenú detskú autosedačku na zadné sedadlo vozidla. (4)

Používanie výrobku

Inštalácia

- 1 - Prípojte vodiace prvky ISOFIX ku kotevným tyčkám ISOFIX vozidla (pozrite si návod na obsluhu vozidla). (5) Vodiace prvky ISOFIX môžu ochrániť povrch sedadla vozidla pred roztrhnutím. Môžu tiež viesť prípojky ISOFIX.
- 2 - Rozložte opornú nohu z úložného priestoru. (6)
- 3 - Roztiahnite prípojky ISOFIX stlačením nastavovacieho tlačidla ISOFIX a súčasným potiahnutím za prípojku. (7)
- 4 - Stlačením nastavovacieho tlačidla ISOFIX nastavte prípojky ISOFIX. Spojovacie prvky ISOFIX zarovnajete s vodiacími prvkami ISOFIX a potom zacvaknite obidva spojovacie prvky ISOFIX na kotevné tyčky ISOFIX. (8)
 - ! Skontrolujte, či sú obe prípojky ISOFIX pevne pripojené ku kotevným tyčkám ISOFIX vozidla. Musia sa ozvať dve cvaknutia a farba indikátorov na oboch prípojkách ISOFIX musí byť úplne zelená. (8)-1
 - ! Skontrolujte, či je základňa bezpečne nainštalovaná potiahnutím oboch prípojek ISOFIX.

- 5 - Po umiestnení základne na sedadlo vozidla vyťahnite opornú nohu smerom nadol na podlahu (9). Ak bude oporná noha nainštalovaná správne, indikátor opornej nohy zobrazí zelenú farbu. Pri nesprávnej inštalácii sa zobrazí červená farba. (9)-2

Oporná noha má viac polôh. Keď indikátor opornej nohy zobrazí červenú farbu, znamená to, že je oporná noha v nesprávnej polohe.

- ! Skontrolujte, či je oporná noha v úplnom kontakte s podlahovým panelom vozidla.
- ! Stisnite nastavovacie tlačidlo opornej nohy a potom skrúťte opornú nohu smerom nahor. (9)-1

Úplne zostavená základňa je zobrazená na obrázku (10).

- ! Prípojky ISOFIX musia byť pripojené a zaistené na kotevných tyčkách ISOFIX. (10)-1
 - ! Oporná noha musí byť správne nainštalovaná so zelenou farbou indikátora. (10)-2
- 6 - Ak chcete vybrať základňu, stlačte pred jej vybratím zo sedadla vozidla najprv druhé zaistovacie tlačidlo (11)-1, potom tlačidlo (11)-2 na prípojkách ISOFIX. (11)

- 7 - Na účely prepravy stlačte nastavovacie tlačidlo ISOFIX a zasuňte prípojky ISOFIX do skladovacej polohy. (12)

Použite chránič proti bočnému nárazu

- 1 - Zosilnená detská autosedačka sa dodáva s odnímateľným modulom ochrany proti bočnému nárazu. Tento modul ochrany proti bočnému nárazu sa **MUSÍ** používať na strane dverí vozidla. Inštalácia je zobrazená na obrázku (13).
- 2 - Stlačte uvoľňovacie tlačidlo, ak chcete vybrať modul ochrany proti bočnému nárazu. (14)

Nastavenie výšky

opierky hlavy a ramenných popruhov

Nastavte opierku hlavy a skontrolujte, či sú ramenné popruhy v správnej výške podľa obr. (15)-(18).

- ! Pri používaní v režime tvárou dozadu musí byť výška ramenných popruhov zarovno s ramenami dieťaťa alebo tesne pod ich vrcholom. (15)

! Pri používaní v režime smerom tvárou dopredu musí byť výška ramenných popruhov zarovno s ramenami dieťaťa. (16)

Potiahnite páčku na nastavenie opierky hlavy (17) a pritom vytiahnite alebo zatlačte opierku hlavy, kým nezapadne do jednej z 6 polôh. Polohy opierky hlavy sú zobrazené na obr. (18).

Nastavenie sklonu

- 1- Ak chcete nastaviť zosilnenú detskú autosedačku do správnej polohy, stlačte tlačidlo na nastavenie sklonu. (19)
- 2- Obidva režimy, tvárou dozadu aj tvárou dopredu, majú 5 polôh sklonu, uhly sklonu sú zobrazené na obrázku. (20)

Režim smerovania tvárou dozadu

(Výška dieťaťa 40 cm – 105 cm/Hmotnosť dieťaťa ≤19kg)

! Nainštalujte zosilnenú detskú autosedačku na zadné sedadlo vozidla a potom do nej vložte dieťa.

! Ak používate zosilnenú detskú autosedačku v režime smerovania tvárou dozadu, posuňte zámok otáčania doprava. (21)

- 1- Stlačte a podržte nastavovacie tlačidlo ISOFIX a zatlačte zosilnený detský zadržiavací systém dozadu tak, aby sa dostal do kontaktu s operadlom sedadla vozidla. (22)
 - 2- Stlačte a podržte tlačidlo otáčania, aby ste sedačku otočili pre jednoduchšie bočné nakladanie/vykládanie dieťaťa, potom otočte sedačku do polohy tvárou smerom dozadu. (23)
- ! Ak chcete otočiť zosilnenú detskú autosedačku, stlačte tlačidlo otáčania na oboch stranách.
- ! Vždy sa uistite, že je detská autosedačka v uzamknutej polohe (smerovaní tvárou dozadu/dopredu), aj keď v nej nie je dieťa.
- 3- Stlačte nastavovacie tlačidlo popruhov, pričom vytiahnite ramenné popruhy do požadovanej dĺžky (na predĺženie vytiahnite spod pevných ramenných podušiek). (24)
 - 4- Sponu popruhov odistite stlačením červeného tlačidla. (25)
 - 5- Umiestnite jazýčky pracky oproti magnetickej oblasti na vonkajšej strane zosilnenej detskej autosedačky tak, aby jazýčky držali na svojom mieste. (26)

Použite dojčenskú vložku



Odporúčame používať celú dojčenskú vložku, kým má dieťa menej ako 60cm a ≤ 13 kg. Môže sa používať, kým z vložky nevyrastú.

Dojčenská vložka zvyšuje ochranu pri bočnom náraze.

- 6- Položte dieťa do zosilnenej detskej autosedačky a prevlečte mu obe ruky cez popruhy.
 - 7- Zapnite sponu. Pozrite si (27).
 - 8- Otočte zosilnenú detskú autosedačku smerom tvárou dozadu. Indikátor zosilnenej detskej autosedačky zobrazí zelenú farbu. (28)
 - 9- Potiahnite nastavovací popruh nadol a nastavte ho na správnu dĺžku, aby ste sa uistili, že je vaše dieťa správne zaistené. (29)
- ! Vždy majte dieťa upevnené v popruhoch a riadne ich dotiahnite, aby ste odstránili všetky uvoľnené časti.

Režim tvárou dopredu

(Výška dieťaťa 76cm - 105 cm/Hmotnosť dieťaťa ≤19kg)
(Vek dieťaťa ≥ 15 mesiacov)

- ! Nainštalujte zosilnenú detskú autosedačku na zadné sedadlo vozidla a potom do nej vložte dieťa.
- ! Ak používate zosilnenú detskú autosedačku v režime smerovania tvárou dopredu, posuňte zámok otáčania doľava. (30)
- 1- Stlačte a podržte tlačidlo otáčania, aby ste sedačku otočili pre jednoduchšie bočné nakladanie/vykládanie dieťaťa, potom otočte sedačku do polohy tvárou smerom dopredu. (31)(32)
- ! Ak chcete otočiť zosilnenú detskú autosedačku, stlačte tlačidlo otáčania na oboch stranách.
- ! Vždy sa uistite, že je detská autosedačka v uzamknutej polohe (smerovaní tvárou dozadu/dopredu), aj keď v nej nie je dieťa.

- 2 - Stlačte nastavovacie tlačidlo popruhov, pričom vyťahnite ramenné popruhy do požadovanej dĺžky (na predĺženie vyťahnite spod pevných ramenných podušiek). **(33)**
- 3 - Sponu popruhov odistite stlačením červeného tlačidla. **(34)**
 - ! V režime smerovania tvárou dopredu vyberte doječenskú vložku.
- 4 - Umiestnite jazýčky pracky oproti magnetickej oblasti na vonkajšej strane zosilnenej detskej autosedačky tak, aby jazýčky držali na svojom mieste. **(35)**
- 5 - Otočte zosilnenú detskú autosedačku smerom tvárou dopredu, indikátor zosilnenej detskej autosedačky zobrazí zelenú farbu. **(36)**
- 6 - Potiahnite nastavovací popruh nadol a nastavte ho na správnu dĺžku, aby ste sa uistili, že je vaše dieťa správne zaistené. **(37)**
 - ! Vždy majte dieťa upevnené v popruhoch a riadne ich dotiahnite, aby ste odstránili všetky uvoľnené časti.
 - ! **NEPOUŽÍVAJTE** režim smerom tvárou dopredu, kým vaše dieťa nebude mať aspoň 76 cm A 15 mesiacov.

Odpojenie a zostavenie mäkkých textílií

Stlačením červeného tlačidla rozopnite sponu. **(38)**

Na odpojenie mäkkých textílií postupujte podľa krokov **(39) - (44)**.

Ak budete chcieť pripojiť textilné prvky späť, zopakujte vyššie uvedené kroky opačne.

Čistenie a údržba

Doječenskú vložku uložte niekde mimo dosahu dieťaťa.

Textilné prvky umývajte studenou vodou s teplotou do 30 °C.

NEŽEHLITE mäkké textílie.

NEBIELTE ani chemicky nečistite mäkké textílie.

Na umývanie zosilnenej detskej autosedačky **NEPOUŽÍVAJTE** nezriedený neutrálny čistiaci prostriedok, benzín ani iné organické rozpúšťadlá. Môže to spôsobiť poškodenie zosilnenej detskej autosedačky.

NESKRÚCAJTE mäkké textílie veľkou silou, aby ste ich vysušili. Mohlo by to na textilných prvkoch zanechať zvrásnenie.

Textilné prvky vysušte ich zavesením do tieňa.

Ak sa táto zosilnená detská autosedačka nebude dlhšie nepoužívať, vyberte ju zo sedadla vozidla.

VAŽNO!
SAČUVAJTE OVE
UPUTE ZA BUDUĆU
UPORABU:
PAŽLJIVO PROČITAJTE

Sadržaj

Podaci o proizvodu	143
Jamstvo	
Kontakt	
Uvjeti za upotrebu	144
Upozorenje	145
Popis dijelova	147
Postavljanje proizvoda	149
Uporaba proizvoda	149
Čišćenje i održavanje	154

Podaci o proizvodu

Broj modela: _____

Datum proizvodnje: _____

Jamstvo

Osmislili smo i proizveli naše proizvode visoke kvalitete kako bi mogli rasti s vašim djetetom i obitelji. Budući da stojimo iza našeg proizvoda, naša je oprema pokrivena jamstvom za proizvod, počevši od dana kupnje. Prije no što nas kontaktirate pripremite dokaz o kupnji, broj modela i datum proizvodnje.

Za informacije o jamstvu posjetite:

www.nunababy.com

Kliknite na vezu "Jamstvo" na početnoj stranici.

Kontakt

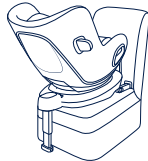
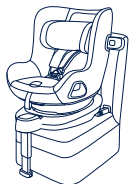
Za zamjenske dijelove, servis ili moguća pitanja u svezi jamstva kontaktirajte našu službu za korisnike.


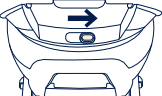
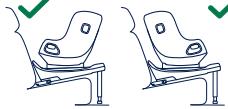

info@nunababy.com

www.nunababy.com

Uvjeti za upotrebu

Ovaj proizvod prikladan je za djecu koja su sljedećih mjera:

Veličina djeteta	Način postavljanja	Prikaz postavljanja	Približna dob	Položaj sjedenja	Upute za umetak za bebu
40cm – 105 cm / ≤19kg	Smještaj u smjeru suprotnom od vožnje		< 4 godine	Položaj 1 – 5	Preporučujemo uporabu potpunog umetka za bebu sve dok je dijete manje od 60 cm i teži ≤ 13 kg. Može se koristiti dok dijete ne preraste umetak. Umetak za bebe povećava zaštitu od bočnog sudara.
76cm – 105 cm / ≤19kg	Smještaj u smjeru vožnje		15 mjeseci do 4 godine	Položaj 1 – 5	Skinite umetak za bebu kad autosjedalicu počnete koristiti okrenutom u smjeru vožnje.

Dob djeteta	Način postavljanja	Postavljanje	Blokada okretanja
manje od 15 mjeseci	Smještaj u smjeru suprotnom od vožnje		
više od 15 mjeseci	Korištenje u smjeru suprotnom od vožnje / u smjeru vožnje.		

- 1 - Ovo je „i-Size“ napredna dječja autosjedalica. Odobrena je prema UN uredbi br. 129 za uporabu u i-Size kompatibilnim sjedećim položajima u vozilu kako je navedeno u korisničkom priručniku proizvođača vozila.
- 2 - U slučaju nedoumice provjerite kod proizvođača ili prodavača napredne dječje autosjedalice.

!UPOZORENJE

Nepoštivanje ovih upozorenja i uputa može predstavljati opasnost od ozbiljnih ozljeda sa smrtnim ishodom.

PAZITE kako ne biste postavili ili ugradili čvrste i plastične dijelove napredne dječje autosjedačice tako da se mogu zaglaviti pomicanjem sjedala u vozilu ili vratima vozila.

NE KORISTITE naprednu dječju autosjedačicu okrenutu obrnuto od smjera vožnje na sjedalu u automobilu gdje je aktiviran prednji zračni jastuk.

Za korištenje ove napredne dječje autosjedačice u skladu s UN uredbom br. 129 dijete mora imati sljedeće mjere.

U smjeru suprotnom od smjera vožnje:

Visina djeteta 40 cm – 105 cm / težina djeteta ≤19kg;

U smjeru vožnje:

Visina djeteta 76 cm – 105 cm / težina djeteta ≤19kg;

VAŽNO – NE KORISTITE OKRENUTO U SMJERU VOŽNJE PRIJE DJETETOVIH NAVRŠENIH 15 MJESECI (pogledajte upute)

Potporni nogar mora biti u kontaktu s podom vozila, a sigurnosni pojasevi za pričvršćivanje djeteta moraju biti prilagođeni veličini djeteta. Pojasevi ne smiju biti uvijeni.

Provjerite je li pojas preko krila nisko postavljen kako bi zdjelica djeteta bila sigurno i dobro pričvršćena u slučaju sudara.

Naprednu dječju autosjedačicu treba promijeniti ako je bila izložena snažnim udarcima tijekom automobilske nesreće. Automobilska nesreća može prouzročiti oštećenja koja nisu uočljiva.

Imajte na umu opasnosti koje će nastati zbog preinaka ili dodataka na proizvodu bez odobrenja odgovarajućeg tijela te zbog nepridržavanja strogih uputa za ugradnju koje je naveo proizvođač napredne dječje autosjedačice.

Naprednu dječju autosjedačicu držite izvan utjecaja izravnog sunčevog svjetla jer može biti prevruća za osjetljivu dječju kožu. Uvijek dodirnom ispitajte temperaturu površina napredne dječje autosjedačice prije no što u nju stavite dijete.

Djecu nikada niti na tren ne ostavljajte bez nadzora u naprednoj dječjoj autosjedačici.

Sva prtljaga ili drugi predmeti koji bi mogli prouzročiti ozljede u slučaju sudara moraju biti pravilno pričvršćeni.

Kad se koristi u jednom od ovih položaja naprednu dječju autosjedačicu možda neće biti moguće postaviti u sva odobrena vozila.

Napredna dječja autosjedačica **NE SMIJE SE KORISTITI** bez obloga i mekih dijelova.

Obloge i meki dijelovi napredne dječje autosjedačice smiju se zamijeniti isključivo onima koje preporučuje proizvođač jer su i ti dijelovi bitni za učinkovitost i radna svojstva sigurnosnog sustava za dijete.

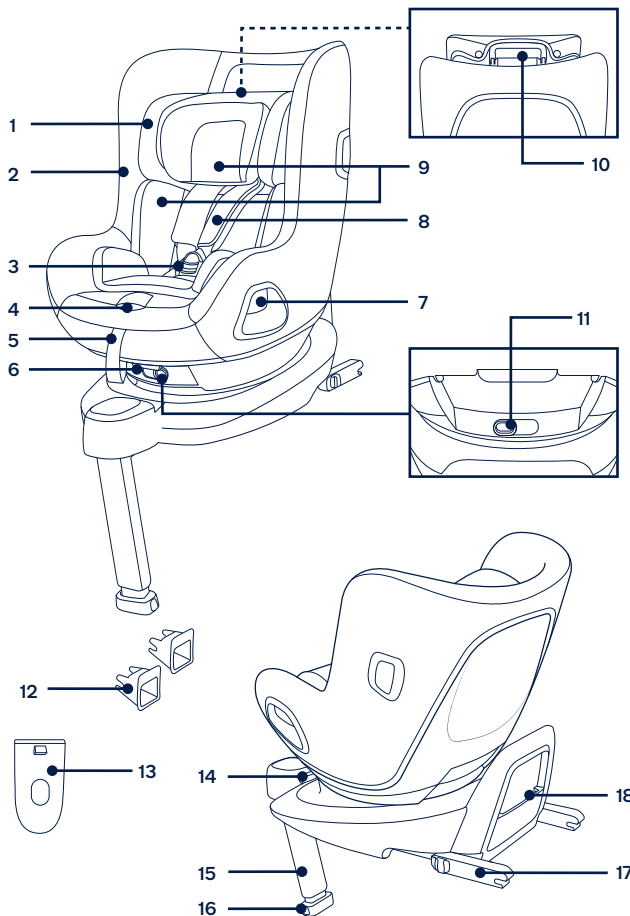
Upute treba čuvati tijekom cijelog vijeka korištenja napredne dječje autosjedačice.

Također obratite pažnju na upute i upozorenja u priručniku proizvođača vozila.

Popis dijelova

Prije sklapanja provjerite jesu li raspoloživi svi dijelovi. Ako bilo koji dio nedostaje kontaktirajte lokalnog prodavača. Za sklapanje nije potreban alat.

- | | | | |
|----|---|----|--|
| 1 | Oslonac za glavu | 11 | Blokada okretanja |
| 2 | Jastuk sjedalice | 12 | ISOFIX vodilice |
| 3 | Kopča | 13 | Podložak za zaštitu od bočnog udarca |
| 4 | Gumb za podešavanje traka | 14 | Gumb za podešavanje ISOFIX priključka |
| 5 | Trake za podešavanje | 15 | Potporni nogar |
| 6 | Gumb za podešavanje nagiba | 16 | Gumb za podešavanje potpornog nogara |
| 7 | Okretni gumb | 17 | ISOFIX priključak |
| 8 | Jastučići traka za pričvršćivanje djetetovih ramena | 18 | Odjeljak za pohranu priručnika s uputama |
| 9 | Umetak za bebu | | |
| 10 | Ručkica za podešavanje oslonca za glavu | | |



Postavljanje proizvoda

O čemu voditi računa prilikom postavljanja

Ova napredna dječja autosjedalica prikladna je samo za sjedala u vozilu opremljena ISOFIX prečkama za pričvršćivanje. (1)

NE KORISTITE naprednu dječju autosjedalicu okrenutu obrnuto od smjera vožnje na sjedalu u automobilu gdje je aktiviran prednji zračni jastuk. (2) Moguće su ozbiljne ozljede ili smrt. Za više informacija pogledajte korisnički priručnik vozila.

NE POSTAVLJAJTE ovu naprednu dječju autosjedalicu na sjedala u vozilu koja su okrenuta bočno ili suprotno od smjera kretanja vozila.

Pogledajte priručnik vozila za prijedloge ili preporučene položaje postavljanja. (3)

Preporučuje se postaviti ovu naprednu dječju autosjedalicu na stražnje sjedalo u vozilu. (4)

Uporaba proizvoda

Postavljanje

- 1 - Priključite ISOFIX vodilice na ISOFIX prečke za pričvršćivanje u vozilu (pogledajte korisnički priručnik vozila). (5) ISOFIX vodilice štite površinu sjedala vozila kako se ne bi poderala. One mogu voditi i ISOFIX priključke.
 - 2 - Rasklopite potporni nogar iz odjeljka spremišta. (6)
 - 3 - Produžite ISOFIX priključke pritiskom na gumb za podešavanje ISOFIX priključka i istodobno ga izvlačite. (7)
 - 4 - Pritisnite ISOFIX gumb za podešavanje kako biste namjestili ISOFIX priključke. Poravnajte ISOFIX priključke s ISOFIX vodilicama, zatim umetnite oba ISOFIX priključka u ISOFIX prečke za pričvršćivanje dok ne škljocne. (8)
- ! Provjerite jesu li oba ISOFIX priključka sigurno pričvršćena na ISOFIX prečke za pričvršćivanje u vozilu. Trebaju se čuti dva škljocaja i indikatori na oba ISOFIX priključka moraju biti u cijelosti zeleni. (8)-1
 - ! Provjerite je li baza sigurno postavljena povlačenjem oba ISOFIX priključka.

- 5 - Nakon postavljanja baze na sjedalo vozila produžite potporni nogar do poda (9). Ako je potporni nogar pravilno postavljen, indikator na potpornom nogaru bit će zelene boje. Ako je potporni nogar nepravilno postavljen, indikator će biti crvene boje. (9)-2

Potporni nogar ima više položaja. Kad je indikator potpornog nogara crvene boje, to znači da je nogar na pogrešnom položaju.

- ! Provjerite je li potporni nogar u potpunom kontaktu s podnom pločom vozila.
- ! Stisnite gumb za oslobađanje potpornog nogara, a zatim skratite nogar prema gore. (9)-1

Ispravno postavljena i potpuno pripremljena baza prikazana je na (10).

- ! ISOFIX priključci moraju biti sklopljeni i blokirani u ISOFIX prečke za pričvršćivanje. (10)-1
- ! Potporni nogar mora biti pravilno postavljen sa zelenim indikatorom. (10)-2

- 6 - Ako želite skinuti bazu najprije pritisnite drugu gumb za blokadu (11)-1, a zatim gumb (11)-2 na ISOFIX priključcima prije uklanjanja baze sa sjedala vozila. (11)
- 7 - Za prenošenje pritisnite gumb za podešavanje ISOFIX priključka i pomaknite unatrag ISOFIX priključke natrag u položaj za pohranu. (12)

Upotreba zaštite od bočnog udarca

- 1 - Napredna dječja autosjedalica isporučuje se s podloškom za zaštitu od bočnog udarca. Podlošak za zaštitu od bočnog udarca **MORA** se obavezno koristiti tijekom vožnje na strani prema vratima vozila. Postavljanje je prikazano na (13).
- 2 - Pritisnite gumb za oslobađanje radi uklanjanja podloška za zaštitu od udarca. (14)

Podešavanje visine

naslona za glavu i trake za pričvršćivanje djetetovih ramena

Namjestite ostonac za glavu i provjerite jesu li trake za pričvršćivanje djetetovih ramena na ispravnoj visini u skladu s (15)-(18).

- ! Kad se dječja autosjedalica koristi okrenuta u smjeru obrnutom od vožnje trake za pričvršćivanje djetetovih ramena moraju biti u ravnini ili malo ispod djetetovih ramena. (15)

- ! Kad se napredna dječja autosjedalica koristi okrenuta u smjeru vožnje trake za pričvršćivanje djetetovih ramena moraju biti u ravnini s djetetovim ramenima. (16)

Povucite ručicu za podešavanje naslona za glavu (17) istodobno povlačeći naslon za glavu prema gore ili gurajući ga prema dolje dok ne škljocne i smjesti se u jedan od 6 položaja. Položaji naslona za glavu prikazani su na slici (18).

Podešavanje nagiba

- 1 - Stisnite gumb za podešavanje nagiba i namjestite naprednu dječju autosjedalicu u odgovarajući položaj. (19)
- 2 - Oba načina postavljanja, i postavljanje suprotno od smjera vožnje i postavljanje u smjeru vožnje imaju 5 položaja nagiba, kutovi nagiba prikazani su na slici. (20)

Smještaj u smjeru suprotnom od vožnje

(Visina djeteta 40 cm – 105 cm / težina djeteta ≤19kg)

- ! Naprednu dječju autosjedalicu učvrstite na stražnje putničko sjedalo u vozilu, a zatim u nju stavite dijete.
- ! Pomaknite blokadu okretanja udesno kada koristite naprednu dječju autosjedalicu okrenutu u smjeru suprotnom od vožnje. (21)
- 1 - Pritisnite i držite gumb za podešavanje ISOFIX priključka i gurnite naprednu dječju autosjedalicu unatrag dok ne dođe u kontakt s naslonom sjedala u vozilu. (22)
- 2 - Pritisnite i držite gumb za okretanje kako biste okrenuli autosjedalicu radi lakšeg stavljanja / vadenja djeteta iz nje, a zatim autosjedalicu okrenite u smjeru suprotnom od smjera vožnje. (23)
- ! Pritisnite okretni gumb na bilo kojoj strani kako biste okrenuli naprednu dječju autosjedalicu.
- ! Uvijek provjerite je li dječja autosjedalica blokirana u svom položaju (u smjeru suprotnom od vožnje / u smjeru vožnje) čak i kada dijete nije u njoj.

- 3 - Pritisnite gumb za podešavanje traka za pričvršćivanje djeteta istodobno povlačeći trake za ramena na željenu duljinu (vucite ispod fiksnih jastučića za ramena radi produljivanja). (24)
- 4 - Otkopčajte kopču traka za pričvršćivanje djeteta pritiskom na crveni gumb na kopči. (25)
- 5 - Stavite jezičke kopče prema magnetskom području na vanjskoj strani napredna dječje autosjedalice kako bi se jezički postavili na svoje mjesto. (26)

Upotreba umetka za bebu



Preporučujemo uporabu potpunog umetka za bebu sve dok je dijete manje od 60 cm i teži ≤ 13 kg. Može se koristiti dok dijete ne preraste umetak.

Umetak za bebe povećava zaštitu od bočnog sudara.

- 6 - Stavite dijete u naprednu dječju autosjedalicu i provucite mu ruke ispod traka za pričvršćivanje djeteta.
- 7 - Zakopčajte kopču. Pogledajte (27).
- 8 - Okrenite naprednu dječju autosjedalicu u položaj okrenut suprotno od smjera vožnje. Indikator napredne dječje autosjedalice bit će zelene boje. (28)
- 9 - Povucite prema dolje trake za podešavanje i namjestite trake za pričvršćivanje djeteta na pravilnu duljinu tako da je dijete pravilno i sigurno pričvršćeno. (29)
- ! Dijete uvijek treba biti pričvršćeno u dječjoj sjedalici s pravilno pritegnutim trakama za pričvršćivanje djeteta koje ni na kojem dijelu nisu labave i opuštene.

Smještaj u smjeru vožnje

(Visina djeteta 76 cm – 105 cm / težina djeteta ≤19kg)
(dob djeteta ≥ 15 mjeseci)

- ! Naprednu dječju autosjedralicu učvrstite na stražnje putničko sjedalo u vozilu, a zatim u nju stavite dijete.
- ! Pomaknite blokadu okretanja ulijevo kada koristite naprednu dječju autosjedralicu okrenutu u smjeru vožnje. (30)
- 1- Pritisnite i držite okretni gumb kako biste okrenuli autosjedralicu radi lakšeg stavljanja / vadenja djeteta iz nje, a zatim je okrenite u smjeru vožnje. (31)(32)
- ! Pritisnite okretni gumb na bilo kojoj strani kako biste okrenuli naprednu dječju autosjedralicu.
- ! Uvijek provjerite je li dječja autosjedralica blokirana u svom položaju (u smjeru suprotnom od vožnje / u smjeru vožnje) čak i kada dijete nije u njoj.
- 2- Pritisnite gumb za podešavanje traka za pričvršćivanje djeteta istodobno povlačeći trake za ramena na željenu duljinu (vucite ispod fiksnih jastučića za ramena radi produljivanja). (33)
- 3- Otkopčajte kopču traka za pričvršćivanje djeteta pritiskom crvenog gumba na kopči. (34)
- ! Skinite umetak za bebu kad autosjedralicu počnete koristiti okrenutom u smjeru vožnje.
- 4- Stavite jezičke kopče prema magnetskom području na vanjskoj strani napredna dječje autosjedralice kako bi se jezičci postavili na svoje mjesto. (35)
- 5- Okrenite naprednu dječju autosjedralicu prema naprijed u smjeru vožnje i njezin će indikator biti zelene boje. (36)
- 6- Povucite prema dolje trake za podešavanje i namjestite trake za pričvršćivanje djeteta na pravilnu duljinu tako da je dijete pravilno i sigurno pričvršćeno. (37)
- ! Dijete uvijek treba biti pričvršćeno u dječjoj sjedalici s pravilno pritegnutim trakama za pričvršćivanje djeteta koje ni na kojem dijelu nisu labave i opuštene.
- ! NE koristite autosjedralicu okrenutu u smjeru vožnje dok dijete nije visoko barem 76 cm I BAREM 15 mjeseci staro.

Skidanje i postavljanje obloga i mekih dijelova

Pritisnite crveni gumb za otvaranje kopče. (38)

Slijedite korake (39) - (44) za skidanje obloga i mekih dijelova.

Za ponovno postavljanje obloga i mekih dijelova ponovite gore navedene korake obrnutim redoslijedom.

Čišćenje i održavanje

Umetak za bebu pohranite na mjesto izvan dohvata djeteta.

Obloge i meke dijelove perite hladnom vodom temperature niže od 30 °C.

NE glačajte meke dijelove.

NE izbjeljujte niti nemojte kemijski čistiti meke dijelove.

NE KORISTITE nerazrijeđene neutralne deterdžente, benzin ili druga organska otapala za pranje napredne dječje autosjedralice. To može oštetiti naprednu dječju autosjedralicu.

NE uvijajte meke dijelove velikom silom radi iscjedivanja i sušenja. To može izgužvati meke dijelove i ostaviti nabore.

Meke dijelove objesite i sušite u hladu.

Uklonite naprednu dječju autosjedralicu sa sjedala u vozilu ako se neće dulje vrijeme koristiti.

POMEMBNO!
NAVODILA SHRANITE
ZA POZNEJŠO
UPORABO:
NATANČNO PREBERITE

Vsebina

Informacije o izdelku	157
Garancija	
Stik	
Zahteve pri uporabi za otroke	158
Opozorilo	159
Seznam delov	161
Priprava izdelka	163
Uporaba izdelka	163
Čiščenje in vzdrževanje	168

Informacije o izdelku

Številka modela: _____

Datum izdelave: _____

Garancija

Naše visokokakovostne izdelke smo namenoma oblikovali tako, da lahko rastejo skupaj z vašim otrokom in vašo družino. Ker zagotavljamo kakovost naših izdelkov, našo opremo od dneva nakupa krije garancija, ki je narejena po meri za vsak izdelek. Ko stopite v stik z nami, imejte pri roki potrdilo o nakupu, številko modela in datum izdelave.

Podatke o garanciji najdete na:

www.nunababy.com

Na začetni strani kliknite povezavo »Garancija«.

Stik

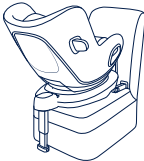
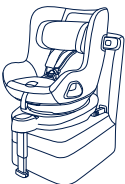
Za vprašanja o nadomestnih delih in servisu ali za dodatna vprašanja o garanciji stopite v stik z oddelkom za stike s strankami.



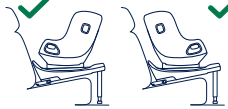
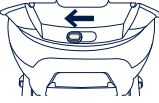
info@nunababy.com

www.nunababy.com

Zahteve pri uporabi za otroke

Izdelek je primeren za uporabo pri otrocih, ki izpolnjujejo naslednje zahteve:

Velikost otroka	Način namestitve	Slika za namestitev	Referenčna starost	Položaj sedeža	Navodila za vstavljanje vložka za dojenčke
40 cm– 105 cm/± 19kg	Način usmerjenosti nazaj		< 4 leta	Položaj 1-5	Priporočamo, da uporabljate vložek za dojenčka, ko je dojenček manjši od 60 cm in težak 13 kg ali manj. Uporabljajte ga lahko, dokler otrok tega vložka ne preraste. Vložek za dojenčke poveča stransko zaščito pred udarci.
76cm– 105 cm/± 19kg	Način usmerjenosti naprej		15 mesecev do 4 leta	Položaj 1-5	V načinu usmerjenosti naprej odstranite vložek za dojenčke.

Starost otroka	Način namestitve	Namestitve	Zaklep vrtenja
< 15 M	Način usmerjenosti v nasprotni smeri vožnje		
> 15 M	Način usmerjenosti nazaj/naprej		

- 1 - To je izboljšani sistem za zadrževanje otrok »i-Size«. V skladu s Pravilnikom ZN št. 129 je homologiran za uporabo na sedežih vozila, za katere proizvajalec vozila v navodilih za uporabo vozila navaja, da so združljivi s standardom i-Size.
- 2 - Če ste v dvomih, se obrnite na proizvajalca ali prodajalca izboljšane sistema za zadrževanje otrok.

OPOZORILO

Neupoštevanje teh opozoril in navodil lahko povzroči resne poškodbe ali smrt.

UPOŠTEVAJTE, da morajo biti togi elementi in plastični deli izboljšanega sistema za zadrževanje otrok postavljeni in nameščeni tako, da se ne morejo ujeti zaradi premičnega sedeža ali vrat avtomobila.

V primeru nazaj obrnjenega izboljšanega sistema za zadrževanje otrok **NE** uporabljate sistema na sedežih, ki so opremljeni z aktivno čelno zračno blazino.

Za uporabo tega izboljšanega sistema za zadrževanje otrok skladno s predpisom ZN št. 129 mora otrok izpolnjevati naslednje zahteve.

Obrnjen v nasprotni smeri vožnje:

Višina otroka 40 cm–105 cm/teža otroka ≤ 19kg;

Obrnjen naprej:

Višina otroka 76 cm–105 cm/teža otroka ≤ 19kg;

POMEMBNO – OTROKA NE OBRAČAJTE NAPREJ, DOKLER NE DOPOLNI 15 MESECEV (glejte navodila)

Podporna noga mora biti v stiku s podom vozila, trakovi za zadrževanje otroka pa morajo biti prilagojeni telesu otroka. Pasovi ne smejo biti zviti.

Prepričajte se, da so medenični pasovi nameščeni dovolj nizko, da je medenica pravilno podprta.

Izboljšani sistem za zadrževanje otrok morate zamenjati, kadar je bil izpostavljen močnim obremenitvam ob nezgodi. Nesreča lahko povzroči poškodbe, ki jih ne vidite.

Spreminjanje naprave na kakršen koli način brez izrecnega dovoljenja strokovnjakov ali proizvajalca je strogo prepovedano. Prosimo, da natančno upoštevate proizvajalčeva navodila za namestitvev.

Izboljšanega sistema za zadrževanje otrok ne izpostavljajte neposredni sončni svetlobi, ker se lahko preveč segreje in postane prevroč za otrokovo kožo. Vedno z roko preverite temperaturo izboljšanega sistema za zadrževanje otrok, preden vanj namestite otroka.

Otrok ne puščajte nadzora v izboljšanem sistemu za zadrževanje otrok.

Prtljago ali druge predmete, ki bi v primeru trčenja lahko povzročili telesne poškodbe, morate ustrezno zavarovati.

Izboljšani sistem za zadrževanje otrok morda ne bo ustrezal vsem odobrenim vozilom, če ga uporabljate v enem od navedenih položajev.

Izboljšanega sistema za zadrževanje otrok **NE** uporabljajte brez mehkih delov.

Uporabljajte samo mehke dele, ki jih je priporočil proizvajalec, saj so sestavni del zmogljivosti sistema za zadrževanje otrok.

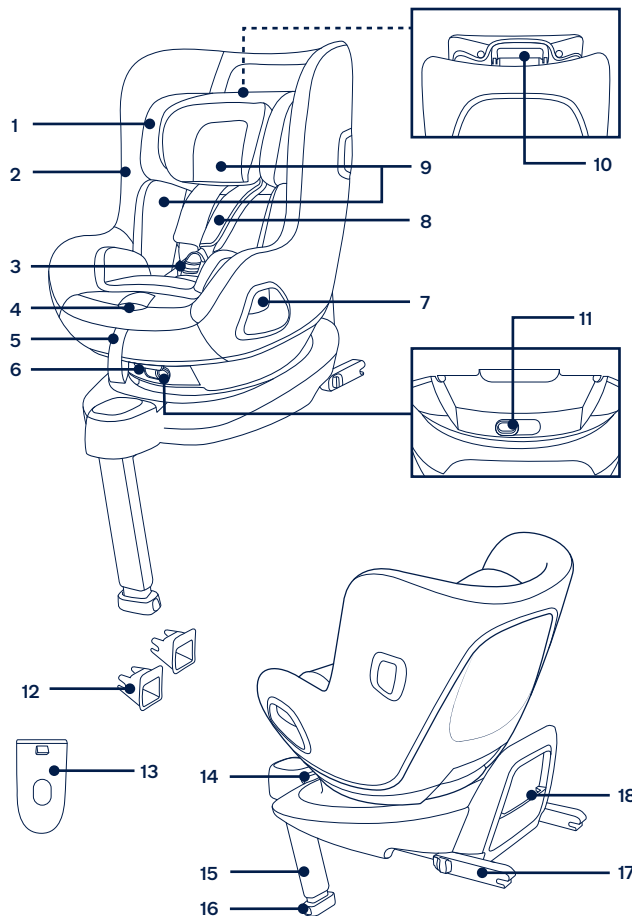
Navodila morate obdržati na izboljšanemu sistemu za zadrževanje otrok do konca njegove življenjske dobe.

Prav tako bodite pozorni na navodila in opozorila v priročniku proizvajalca vozila.

Seznam delov

Prepričajte se, da imate pred sestavljanjem izdelka na voljo vse dele. Če kateri od delov manjka, se obrnite na lokalnega prodajalca. Za sestavljanje izdelka ne potrebujete nobenega orodja.

- | | | | |
|----|-------------------------------------|----|---|
| 1 | Opora za glavo | 21 | Zaklep vrtenja |
| 2 | Sedežna blazina | 22 | Vodila ISOFIX |
| 3 | Zaponka | 23 | Stranska zaščita pred udarci |
| 4 | Gumb za nastavitev pasu | 24 | Gumb za nastavitev ISOFIX |
| 5 | Prilagoditveni trak | 25 | Podporna noga |
| 6 | Gumb za nastavitev naklona | 26 | Gumb za nastavitev podporne noge |
| 7 | Gumb za obračanje | 27 | Priključek ISOFIX |
| 8 | Prevleki za ramenska pasova | 28 | Predal za shranjevanje navodil za uporabo |
| 9 | Vložek za dojenčke | | |
| 10 | Ročica za nastavitev opore za glavo | | |



Priprava izdelka

Opozorila glede namestitve

Ta izboljšani sistem za zadrževanje otrok je primeren za sedeže vozila, ki imajo držala ISOFIX. (1)

V primeru nazaj obrnjenega izboljšanega sistema za zadrževanje otrok **NE** uporabljate sistema na sedežih, ki so opremljeni z aktivno čelno zračno blazino. (2) Povzročite lahko hude poškodbe ali smrt. Za več informacij glejte navodila za uporabo vozila.

Izboljšanega sistema za zadrževanje otrok **NE** nameščajte na sedeže vozila, ki so obrnjeni vstran ali nazaj glede na smer vožnje.

Glejte navodila za uporabo vozila glede priporočenih ali predlaganih položajev za namestitve. (3)

Izboljšani sistem za zadrževanje otrok je priporočljivo namestiti na zadnji sedež vozila. (4)

Uporaba izdelka

Namestitve

- 1 - Vodili ISOFIX pritrdite na držala ISOFIX vozila (glejte navodila za uporabo vozila). (5) Vodili ISOFIX lahko zaščitita površino sedeža vozila pred raztrganjem. Nanju lahko nastavite tudi priključka ISOFIX.
- 2 - Izvlecite podporno nogo iz prostora za shranjevanje. (6)
- 3 - Razširite priključka ISOFIX tako, da pritisnete gumb za nastavitev ISOFIX in izvlečete posamezen priključek. (7)
- 4 - Pritisnite gumb za nastavitev ISOFIX, če želite nastaviti priključke ISOFIX. Poravnajte priključka ISOFIX z vodiloma ISOFIX in nato pritrdite oba priključka ISOFIX v držala ISOFIX, tako da se zaskočita. (8)
 - ! Zagotovite, da sta oba priključka ISOFIX dobro pritrjena na držala ISOFIX v vozilu. Slišati morate dva klika in indikatorja na obeh priključkih ISOFIX morata biti popolnoma zelena. (8)-1
 - ! Povlecite priključka ISOFIX, da preverite, ali je podnožje varno pritrjeno.

- 5 - Ko je podnožje nameščeno na sedež vozila, iztegnite podporno nogo do tal (9). Ko je podporna noga pravilno nameščena, je indikator podporne noge prikazan zeleno. Indikator je prikazan rdeče, če podporna noga ni pravilno nameščena. (9)-2

Podporna noga omogoča več položajev. Če indikator podporne noge sveti rdeče, pomeni, da je podporna noga v napačnem položaju.

- ! Podporna noga se mora popolnoma dotikati tal vozila.
- ! Pritisnite gumb za nastavitev podporne noge in jo potisnite navzgor, da jo skrajšate. (9)-1

Popolnoma nameščeno podnožje je prikazano na sliki (10)

- ! Priključka ISOFIX morata biti pritrjena in fiksirana na držala ISOFIX. (10)-1
- ! Podporna noga mora biti pravilno nameščena in indikator mora svetiti zeleno. (10)-2

- 6 - Če želite odstraniti podnožje, najprej pritisnite gumb za sekundarni zaklep (11)-1 in nato gumb (11)-2 na priključkih ISOFIX. Nato lahko odstranite podnožje s sedeža vozila. (11)

- 7 - Za transportiranje pritisnite gumb za nastavitev ISOFIX in priključka ISOFIX potisnite nazaj v položaj za shranjevanje. (12)

Uporabljajte stransko zaščito pred udarci

- 1 - Izboljšani sistem za zadrževanje otrok je dobavljen s snemljivo stransko zaščito pred udarci. Stransko zaščito pred udarci **MORATE** uporabljati na mestih ob vratih vozila. Namestitev prikazana na sliki (13).
- 2 - Pritisnite gumb za sprostitve, da odstranite stransko zaščito pred udarci. (14)

Nastavljanje višine

opore za glavo in ramenskih varnostnih pasov

Nastavite višino opore za glavo in preverite, ali sta ramenska varnostna pasova na pravilni višini glede na slike (15)-(18).

- ! Pri uporabi načina usmerjenosti nazaj mora biti višina za ramenski varnostni pas poravnana z rameni otroka ali tik pod njimi. (15)
- ! Pri uporabi načina usmerjenosti naprej morata biti reži za ramenski varnostni pas poravnani z rameni otroka. (16)

Povlecite ročico opore za glavo (17), oporo za glavo pa dvignite ali potisnite navzdol, dokler se ne zaskoči v enem od 6 položajev. Položaji opore za glavo so prikazani na sliki (18).

Nastavitev naklona

- 1- Stisnite gumb za nastavitev naklona, da sistem za zadrževanje otrok nastavite v pravi položaj. (19)
- 2- Način usmerjenosti nazaj in način usmerjenosti naprej imata 5 položajev naklona, koti naklona so prikazani na sliki. (20)

Način usmerjenosti nazaj

(Višina otroka 40 cm–105 cm/teža otroka ≤ 19kg)

- ! Izboljšani sistem za zadrževanje otrok namestite na zadnji sedež vozila, nato vanj namestite otroka.
 - ! Zaklep za vrtenje potisnite desno, če uporabljate zadrževalni sistem tako, da otrok gleda v smeri vožnje naprej. (21)
- 1- Pritisnite in pridržite gumb za nastavitev ISOFIX ter izboljšani otroški varnostni sedež potisnite nazaj, da se dotakne zadnjega sedeža vozila. (22)
 - 2- Pritisnite in pridržite gumb za obračanje, da sedež zasučete in s strani otroka lažje položite v sedež/ga vzamete ven, nato sedež zasučite v položaj usmerjenosti nazaj. (23)
 - ! Gumb za obračanje pritisnite na eni od obeh strani, da zasučete izboljšani sistem za zadrževanje otrok.
 - ! Vedno se prepričajte, da je otroški varnostni sedež v zaklenjenem položaju (obrnjen nazaj/obrnjen naprej), tudi če otrok ni v njem.
 - 3- Pritisnite gumb za nastavitev pasov in hkrati povlecite ramenska pasova na želeno dolžino (pri tem pasove držite pod oblogami ramenskih pasov). (24)
 - 4- S pritiskom na rdeči gumb odpnite sponko varnostnih pasov. (25)
 - 5- Jezička zaponke namestite na magnetno območje zunanje strani izboljšanega sistema za zadrževanje otrok, da sta jezička ustrezno fiksirana. (26)

Uporaba vložka za dojenčke



Priporočamo, da uporabljate vložek za dojenčka, ko je dojenček manjši od 60 cm in težak 13 kg ali manj. Uporabljajte ga lahko, dokler otrok tega vložka ne preraste.

Vložek za dojenčke poveča stransko zaščito pred udarci.

- 6- Posedite otroka v izboljšani sistem za zadrževanje otrok in namestite pasova čez ramena.
- 7- Zapnite zaponko. Glejte sliko (27).
- 8- Izboljšani sistema za zadrževanje otrok zasučite tako, da bo obrnjen naprej. Indikator sistema bo zelen. (28)
- 9- Prilagoditveni trak povlecite navzdol in prilagodite njegovo dolžino, da zagotovite, da je otrok ustrezno zavarovan. (29)
 - ! Otrok naj bo vedno varno pripet s pasom, tako da odpravite ohlapnost pasov.

Način usmerjenosti naprej

(Višina otroka 76 cm–105 cm/teža otroka ≤ 19 kg)
(Starost otroka ≥ 15 mesecev)

- ! Izboljšani sistem za zadrževanje otrok namestite na zadnji sedež vozila, nato vanj namestite otroka.
 - ! Zaklep za vrtenje potisnite levo, če uporabljate zadrževalni sistem tako, da otrok gleda nazaj. (30)
- 1- Pritisnite in pridržite gumb za obračanje, da sedež zasučete in s strani otroka lažje položite v sedež/ga vzamete ven, nato sedež zasučite tako, da je obrnjen nazaj. (31)(32)
 - ! Gumb za obračanje pritisnite na eni od obeh strani, da zasučete izboljšani sistem za zadrževanje otrok.
 - ! Vedno se prepričajte, da je otroški varnostni sedež v zaklenjenem položaju (obrnjen nazaj/obrnjen naprej), tudi če otrok ni v njem.

- 2 - Pritisnite gumb za nastavev pasov in hkrati povlecite ramenska pasova na zeleno dolžino (pri tem pasove držite pod oblogami ramenskih pasov). (33)
- 3 - S pritiskom na rdeči gumb odprite sponko varnostnih pasov. (34)
 - ! V načinu usmerjenosti odstranite vložek za dojenčke.
- 4 - Jezička zaponke namestite na magnetno območje zunanje strani izboljšanega sistema za zadrževanje otrok, da sta jezička ustrezno fiksirana. (35)
- 5 - Izboljšani sistem za zadrževanje otrok zasučite tako, da bo obrnjen naprej, indikator pa bo zelene barve. (36)
- 6 - Prilagoditveni trak povlecite navzdol in prilagodite njegovo dolžino, da zagotovite, da je otrok ustrezno zavarovan. (37)
 - ! Otrok naj bo vedno varno pripet s pasom, tako da odpravite ohlapnost pasov.
 - ! **NE** uporabljajte usmerjenosti naprej, dokler otrok ni velik vsaj 76 cm IN star 15 mesecev.

Odstranitev in sestava mehkih delov

Pritisnite rdeči gumb, da odpnete zaponko. (38)

Za odstranjevanje mehkih delov sledite korakom (39)–(44).

Mehke dele namestite nazaj, tako da zgornje korake ponovite v obratnem vrstnem redu.

Čiščenje in vzdrževanje

Vložek za dojenčka shranite zunaj dosega otrok.

Mehke dele operite s hladno vodo do 30 °C.

Mehkih delov **NE** likajte.

Mehkih delov **NE** belite oziroma jih ne čistite s kemičnim čiščenjem.

Izboljšanega sistema za zadrževanje otrok **NE** čistite z nerazredčenimi nevtralnimi čistili, bencinom ali drugimi organskimi topili. Lahko poškodujete ojačani sistem za zadrževanje otrok.

Mehkih delov **NE** ožemajte z veliko silo z namenom, da bi se posušili. V nasprotnem primeru lahko na mehkih delih ostanejo gube.

Mehke dele obesite v senco, da se posušijo.

Če izboljšanega sistema za zadrževanje otrok dalj časa ne nameravate uporabljati, ga odstranite s sedeža vozila.

**ВАЖНО!
СОХРАНИТЕ
НАСТОЯЩЕЕ
РУКОВОДСТВО ДЛЯ
ИСПОЛЬЗОВАНИЯ В
БУДУЩЕМ!
ПРОЧИТЕ
ВНИМАТЕЛЬНО**

Содержание

Информация об изделии	171
Гарантия	
Контактные данные	
Требования к росту, весу и возрасту ребенка	171
Предупреждения	173
Спецификация деталей	175
Установка изделия	177
Эксплуатация изделия	177
Очистка и уход за изделием	182

Информация об изделии

Номер модели: _____

Дата изготовления: _____

Гарантия

Мы специально разрабатываем наши высококачественные изделия так, чтобы они росли вместе с вашим ребенком и вашей семьей. Мы гарантируем качество своих изделий, и поэтому на механизмы наших устройств предоставляется гарантия клиента, начиная с момента их покупки. Обращаясь к нам, предъявите кассовый чек и сообщите номер модели и дату изготовления.

Для просмотра сведений о гарантии посетите веб-сайт:

www.nunababy.com

Щелкните ссылку "Гарантия" на главной странице.

Контактные данные

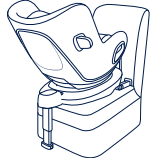
Для приобретения запасных частей, услуг или дополнительных разъяснений по гарантии обращайтесь в отдел обслуживания клиентов.







info@nunababy.com

www.nunababy.com

Требования к росту, весу и возрасту ребенка

Данное изделие предназначено для детей, отвечающих следующим требованиям.

Параметры ребенка	Способ установки	Иллюстрация установки	Примерный возраст	Позиция сиденья	Инструкции по использованию вкладыша для младенцев
40 - 105 см / ≤ 19кг	Установка лицом против направления движения		< 4 лет	Позиция 1-5	Рекомендуется использовать весь вкладыш для младенцев ростом до 60 см и весом ≤ 13 кг. Его использование разрешено до тех пор, пока ребенок не перерастет этот вкладыш. Вкладыш для младенцев улучшает защиту от ударов.
76 - 105 см / ≤ 19кг	Лицом по направлению движения		15 месяцев - 4 года	Позиция 1-5	Извлеките вкладыш для младенцев в положении лицом по направлению движения.

Возраст ребенка	Способ установки	Установка		Фиксатор передних колес
<15 мес.	Установка лицом против направления движения			
>15 мес.	Положение лицом против хода движения/ по ходу движения			

- 1 - Это улучшенное детское удерживающее устройство типа "i-Size". Оно утверждено Правилom № 129 ООН для установки на автомобильных сиденьях, совместимых со стандартом "i-Size", согласно информации производителей автомобилей, которая содержится в руководстве к автомобилям.
- 2 - В случае появления сомнений обращайтесь к производителю или продавцу улучшенного детского удерживающего устройства.

▲ ПРЕДУПРЕЖДЕНИЯ

Несоблюдение этих предупреждений и инструкций может привести к причинению серьезного вреда здоровью ребенка или летальному исходу.

ПРИ установке жесткие элементы конструкции и пластмассовые детали улучшенного детского автокресла должны располагаться так, чтобы исключить вероятность их зажатия подвижным сиденьем или дверью автомобиля.

ЗАПРЕЩАЕТСЯ использовать улучшенное детское автокресло в положении лицом против направления движения на сиденьях, оснащенных активными фронтальными подушками безопасности.

Для использования улучшенного детского автокресла в соответствии с Правилom ООН № 129 ребенок должен соответствовать указанным ниже требованиям.

Положение лицом против направления движения:
рост ребенка 40–105 см/ вес ребенка ≤19 кг;

Положение лицом по направлению движения:
рост ребенка 76–105 см/ вес ребенка ≤19 кг;

ВАЖНО! НЕ УСТАНАВЛИВАЙТЕ АВТОКРЕСЛО В НАПРАВЛЕНИИ ДВИЖЕНИЯ, ЕСЛИ РЕБЕНКУ НЕ ИСПОЛНИЛОСЬ 15 МЕСЯЦЕВ (См. инструкции)

Опорная ножка должна упираться в пол автомобиля, а любые ремни, удерживающие ребенка, должны быть отрегулированы по размеру его тела. Ремни не должны быть перекручены.

Убедитесь, что поясная часть ремня расположена внизу и плотно фиксирует область таза.

Данное улучшенное детское автокресло следует заменить, если оно подверглось высоким нагрузкам во время аварии. При аварии в данном изделии могут образоваться скрытые повреждения.

Помните об опасности внесения любых изменений и дополнений в конструкцию данного изделия без разрешения компетентного органа, а также об опасности несоблюдения инструкций по установке, предоставленных производителем улучшенного детского автокресла.

Не допускайте попадания на улучшенное детское автокресло прямых солнечных лучей, т.к. оно может нагреться и вызвать дискомфорт при контакте с кожей ребенка. Перед тем, как поместить ребенка в улучшенное детское автокресло, всегда проверяйте на ощупь температуру его поверхности.

Ребенка запрещается оставлять без присмотра в улучшенном детском автокресле.

Любой багаж и другие предметы должны быть надежно закреплены, так как они могут причинить травмы при аварии.

Улучшенное детское автокресло подходит для установки не во всех разрешенных автомобилях при использовании в одном из следующих положений.

Запрещается использовать улучшенное детское автокресло без тканевой обивки.

Заменять тканевую обивку допускается только обивкой, рекомендованной производителем, т.к. тканевая обивка является неотъемлемой частью конструкции данного детского удерживающего устройства.

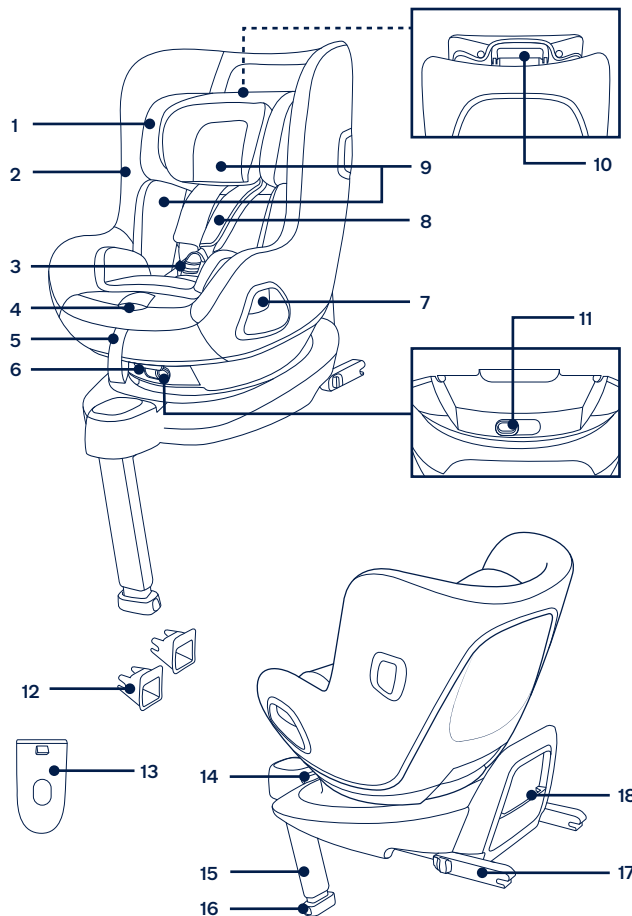
Инструкции должны храниться в улучшенном детском автокресле в течение всего срока эксплуатации.

Обращайте внимание на инструкции и предупреждения, приведенные в руководстве по эксплуатации автомобиля.

Спецификация деталей

Перед сборкой данного изделия проверьте наличие всех деталей. В случае отсутствия любых деталей обратитесь в магазин, где было приобретено данное изделие. Для сборки не требуются инструменты.

- | | |
|---------------------------------------|--|
| 1 Подголовник | 21 Фиксатор переднего колеса |
| 2 Подкладка сиденья | 22 Направляющие ISOFIX |
| 3 Пряжка | 23 Боковой защитный модуль |
| 4 Кнопка регулировки ремней | 24 Кнопка регулировки ISOFIX |
| 5 Регулировочный ремень | 25 Опорная ножка |
| 6 Кнопка регулировки наклона | 26 Кнопка регулировки опорной ножки |
| 7 Кнопка поворота | 27 Крепление ISOFIX |
| 8 Накладки для плечевых ремней | 28 Отсек для хранения инструкции по эксплуатации |
| 9 Вкладыш для младенцев | |
| 10 Рычаг для регулировки подголовника | |



Установка изделия

Вопросы установки

Данное улучшенное детское автокресло предназначено только для автомобильных сидений, оснащенных анкерными креплениями ISOFIX. (1)

ЗАПРЕЩАЕТСЯ использовать улучшенное детское автокресло в положении лицом против направления движения на сиденьях, оснащенных активными фронтальными подушками безопасности. (2) Это может привести к травмам или летальному исходу. За

дополнительной информацией обращайтесь к руководству по эксплуатации автомобиля.

ЗАПРЕЩАЕТСЯ устанавливать улучшенное детское автокресло на автомобильных сиденьях, установленных лицом против хода движения или в сторону от хода движения автомобиля.

Рекомендованные положения установки указываются в руководстве по эксплуатации автомобиля. (3)

Рекомендуется устанавливать данное улучшенное детское автокресло на заднем сиденье автомобиля. (4)

Эксплуатация изделия

Установка

- 1- Прикрепите направляющие ISOFIX к анкерным креплениям ISOFIX автомобиля (см. руководство по эксплуатации автомобиля). (5) Направляющие ISOFIX защищают поверхность автомобильного сиденья от повреждений. Также они служат в качестве направляющих для фиксаторов ISOFIX.
- 2- Извлеките опорную ножку из отсека для хранения. (6)
- 3- Выдвиньте фиксаторы ISOFIX, нажав кнопку фиксатора ISOFIX и потянув за фиксатор. (7)
- 4- Нажмите на кнопку регулятора ISOFIX, чтобы отрегулировать крепления ISOFIX. Совместите крепления ISOFIX с направляющими ISOFIX и вставьте оба фиксатора ISOFIX в анкерные крепления ISOFIX до щелчка. (8)

! Убедитесь, что оба фиксатора ISOFIX надежно прикреплены к анкерным креплениям ISOFIX автомобиля. Должно прозвучать два щелчка, и цвет индикаторов обоих креплений ISOFIX должен быть зеленым. (8)-1

! Проверьте надежность установки основания, потянув за оба фиксатора ISOFIX.

- 5- Поставьте основание на автомобильное сиденье, выдвиньте опорную ножку до пола (9). Если индикатор опорной ножки зеленый, установка выполнена правильно. Красный индикатор означает, что опорная ножка установлена неправильно. (9)-2

В опорной ножке имеется несколько положений. Если индикатор опорной ножки красный, это значит, что опорная ножка находится в неправильном положении.

! Убедитесь, что опорная ножка полностью упирается в пол автомобиля.

! Сожмите кнопку регулировки опорной ножки и укоротите ножку, подняв ее. (9)-1

Полностью собранное основание показано на рисунке (10).

! Фиксаторы ISOFIX необходимо закрепить в анкерных креплениях ISOFIX. (10)-1

! Правильно установите опорную ножку, чтобы индикатор стал зеленого цвета. (10)-2

- 6- Чтобы снять основание, сначала нажмите вторую кнопку фиксатора (11)-1, а затем кнопку креплений ISOFIX (11)-2 и снимите основание с автомобильного сиденья. (11)

- 7- Для транспортировки нажмите на кнопку регулятора ISOFIX и сдвиньте крепления ISOFIX обратно в положение хранения. (12)

Использование бокового защитного экрана

- 1- Улучшенное детское автокресло поставляется со съемным боковым защитным модулем. Использование бокового защитного модуля со стороны двери автомобиля **является обязательным**. Установка показана в (13).
- 2- Нажмите на кнопку фиксатора, чтобы снять боковой защитный модуль. (14)

Регулировка высоты

подголовника и плечевых ремней

Отрегулируйте подголовник и проверьте правильность высоты плечевых ремней по Рис. (15)-(18)

! В режиме лицом против направления движения плечевые ремни должны располагаться на уровне плеч ребенка или ниже. (15)

! В режиме лицом по направлению движения плечевые ремни должны располагаться на уровне плеч ребенка. (16)

Потяните за рычаг для регулировки подголовника (17) и при этом потяните подголовник вверх или вниз так, чтобы защелкнуть его в одном из 6 положений. Положения подголовника показаны на рис. (18)

Регулировка наклона

- 1- Сожмите кнопку регулировки наклона и установите улучшенное детское автокресло в нужное положение. (19)
- 2- В режимах по направлению и против направления движения доступно 5 положений наклона. Углы наклона показаны на рис. (20)

Установка лицом против направления движения

(Рост ребенка 40–105 см/ вес ребенка ≤19 кг)

! Установите улучшенное детское автокресло на заднее сиденье автомобиля. Затем посадите ребенка в улучшенное детское автокресло.

! Сдвиньте фиксатор колес влево, чтобы повернуть улучшенное детское автокресло в положение лицом против направления движения. (21)

- 1- Нажмите на кнопку регулятора ISOFIX и прижмите улучшенное детское автокресло к спинке кресла автомобиля. (22)
- 2- Нажмите на кнопку поворота, чтобы повернуть автокресло для удобства посадки/ высадки ребенка сбоку, а затем поверните автокресло в положение лицом против направления движения автомобиля. (23)

! Нажмите на кнопку поворота с любой стороны, чтобы повернуть улучшенное детское автокресло.

! Обязательно проверяйте, чтобы улучшенное детское автокресло всегда было зафиксировано (в положении лицом по направлению движения или против направления движения), независимо от нахождения в нем ребенка

- 3- Нажмите на кнопку регулировки ремней и вытяните плечевые ремни на нужную длину (для увеличения длины достаньте снизу подплечники). (24)
- 4- Нажмите на красную кнопку и расстегните пряжку ремней. (25)
- 5- Застежки пряжки следует поднести к магнитам на внешней стороне улучшенного детского автокресла, чтобы их зафиксировать. (26)

Использование вкладыша для младенцев



Рекомендуется использовать весь вкладыш для младенцев ростом до 60 см и весом ≤13 кг. Его использование разрешено до тех пор, пока ребенок не перерастет этот вкладыш.

Вкладыш для младенцев улучшает защиту от ударов.

- 6- Посадите ребенка в улучшенное детское автокресло и поместите обе руки под ремни.
 - 7- Застегните пряжку. См. рис (27).
 - 8- Поверните улучшенное детское автокресло в положение лицом против направления движения. Индикатор улучшенного детского автокресла станет зеленым. (28)
 - 9- Потяните вниз регулировочный ремень на нужную длину, чтобы хорошо зафиксировать ребенка. (29)
- ! Обязательно пристегивайте ребенка ремнями. Ремни должны быть хорошо натянуты, без провисания.

Лицом по направлению движения

(Рост ребенка 76-105 см/ вес ребенка ≤19 кг)

(Возраст ребенка ≥15 месяцев)

- ! Установите улучшенное детское автокресло на заднее сиденье автомобиля. Затем посадите ребенка в улучшенное детское автокресло.
- ! Сдвиньте фиксатор колес влево, чтобы повернуть улучшенное детское автокресло в положение лицом по направлению движения. (30)
- 1- Нажмите и удерживайте кнопку поворота, чтобы повернуть автокресло для удобства посадки/ высадки ребенка сбоку, а затем поверните автокресло в положение лицом по направлению движения автомобиля. (31)(32)
- ! Нажмите на кнопку поворота с любой стороны, чтобы повернуть улучшенное детское автокресло.
- ! Обязательно проверяйте, чтобы улучшенное детское автокресло всегда было зафиксировано (в положении лицом по направлению движения или против направления движения), независимо от нахождения в нем ребенка.
- 2- Нажмите на кнопку регулировки ремней и вытяните плечевые ремни на нужную длину (для увеличения длины достаньте снизу подплечники). (33)
- 3- Нажмите на красную кнопку и расстегните пряжку ремней. (34)
- ! Извлеките вкладыш для младенцев в положении лицом по направлению движения.
- 4- Застежки пряжки следует поднести к магнитам на внешней стороне улучшенного детского автокресла, чтобы их зафиксировать. (35)
- 5- Поверните улучшенное детское автокресло в положение лицом по направлению движения. Индикатор фиксации улучшенного детского автокресла станет зеленым. (36)
- 6- Потяните вниз регулировочный ремень на нужную длину, чтобы хорошо зафиксировать ребенка. (37)
- ! Обязательно пристегивайте ребенка ремнями. Ремни должны быть хорошо натянуты, без провисания.

! ЗАПРЕЩАЕТСЯ использование в положении лицом по направлению движения при перевозке детей ростом менее 76 см и возрастом менее 15 месяцев.

Снятие и надевание деталей из ткани

Нажмите красную кнопку, чтобы расстегнуть пряжку. (38)

Выполните шаги (39) - (44), чтобы снять тканевые детали.

Чтобы снова надеть тканевые детали, выполните приведенные выше шаги в обратном порядке.

Очистка и уход за изделием

Храните вкладыш для младенцев в местах, недоступных для детей.

Тканевые детали следует стирать в холодной воде с температурой не более 30°C.

ЗАПРЕЩАЕТСЯ гладить тканевые детали.

ЗАПРЕЩАЕТСЯ отбеливать и подвергать тканевые детали химчистке.

ЗАПРЕЩАЕТСЯ использовать неразбавленные нейтральные моющие средства, бензин и другие органические растворители для стирки улучшенного детского автокресла. Это может привести к повреждению улучшенного детского автокресла.

НЕ отжимайте тканевые детали насухо. После этого на тканевых деталях могут образоваться складки.

Вывешивайте тканевые детали для сушки в тени.

Если улучшенное детское автокресло не используется в течение длительного времени, извлекайте его из автомобиля.

VIKTIG!
TA VARE PÅ DISSE
INSTRUKSJONENE
FOR FREMTIDIG
OPPSLAG
LES NØYE

Innhold

Produktinformasjon	185
Garanti	
Kontakt	
Krav for bruk med barn	186
Advarsel	187
Deleliste	189
Produktoppsett	191
Bruke produktet	191
Rengjøring og vedlikehold	196

Produktinformasjon

Modellnummer: _____

Produksjonsdato: _____

Garanti

Vi har med hensikt designet våre høykvalitetsprodukter slik at de kan vokse med både barnet ditt og familien din. Da vi stoler på produktet vårt, er det dekket av en tilpasset garanti avhengig av produktet, som gjelder fra og med kjøpsdato. Vi ber om at du har klart kjøpsbevis, modellnummer og produksjonsdato når du kontakter oss.

Du finner garantiinformasjon på:

www.nunababy.com

Klikk koblingen «Garanti» på hjemmesiden.

Kontakt

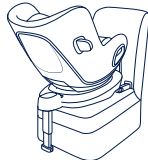
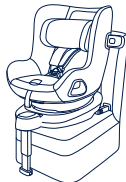
For reservedeler, service eller andre spørsmål om garantier kan du kontakte vår kundeserviceavdeling.


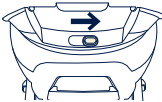


info@nunababy.com

www.nunababy.com

Krav for bruk med barn

Dette produktet er egnet for bruk med barn som oppfyller følgende krav:

Barnets størrelse	Installasjonsmodus	Figur for installasjon	Referansealder	Seteposisjon	Instruksjoner for spedbarnsinnlegg
40–105 cm / ≤19kg	Bakovervendt modus		<4 år	Posisjon 1-5	Vi anbefaler at du bruker hele spedbarnsinnlegget så lenge barnet er under 60 cm og ≤ 13 kg. Den kan brukes til de vokser ut av innlegget. Spedbarnsinnlegget øker beskyttelsen mot støt fra siden.
76–105 cm / ≤19kg	Bruk fremovervendt		15 måneder til 4 år	Posisjon 1-5	Fjern spedbarnsinnlegget i fremovervendt modus.

Barnets alder	Installasjonsmodus	Installasjon	Svinglås
<15 M	Bakovervendt modus		
>15 M	Bak-/fremovervendt bruk		

- 1 - Dette er et «i-Size» forbedret barnesetesystem. Den er godkjent i henhold til FN-forskrift nr. 129, for bruk i i-Size-kompatible sitteplasser som angitt av kjøretøyprodusentene i brukerhåndboken til kjøretøyet.
- 2 - Hvis du er i tvil, tar du kontakt med produsenten eller forhandleren av det forbedrede barnesetet.

! ADVARSEL

Dersom disse advarslene og instruksjonene ikke følges, kan det føre til alvorlig personskade eller dødsfall.

SØRG FOR at de stive delene og plastdelene på det forbedrede barnesetet blir plassert og installert slik at de ikke kan hemmes av et flyttbart sete eller døren til bilen.

IKKE bruk det bakovervendte forbedrede barnesetesystemet i sitteplasser der en aktiv frontkollisjonspute er installert.

For at bruk av dette forbedrede barnesetet skal være i henhold til FN-forskrift nr. 129 må barnet være innenfor følgende mål:

Bakovervendt:

Barnets høyde 40–105 cm / Barnets vekt \leq 19kg;

Fremovervendt:

Barnets høyde 76–105 cm / Barnets vekt \leq 19kg;

VIKTIG - IKKE BRUK FREMOVERLENT FØR BARNET ER MINST 15 MÅNEDER (se instruksjonene)

Støtteben skal være i kontakt med bilgulvet, og eventuelle remmer som fester barnet skal tilpasses kroppen til barnet. Remmene skal ikke vrides.

Sørg for at midjebelte legges lavt slik at skrittet er godt festet og under press.

Dette forbedrede barnesetet bør byttes ut når den har vært utsatt for tunge belastninger i en ulykke. En ulykke kan føre til skade som du ikke kan se.

Vær oppmerksom på faren ved endringer eller tillegg til enheten som gjøres uten godkjenning fra gjeldende myndighet eller hvis ikke installasjonsinstruksjonene gitt av produsenten til det forbedrede barnesetet følges.

Hold dette forbedrede barnesetet borte fra direkte sollys, da det kan bli for varmt for huden til barnet. Ta alltid på det forbedrede barnesetet for å sjekke temperaturen før du setter barnet i det.

Barn bør ikke være uten tilsyn i det forbedrede barnesetesystemet.

All bagasje eller andre gjenstander som kan gi personskader ved kollisjon, skal være forsvarlig festet.

Det forbedrede barnesetet passer kanskje ikke i alle godkjente biler når de brukes i en av disse stillingene.

Det forbedrede barnesete systemet **SKAL IKKE BRUKES** uten de myke delene.

De myke delene skal ikke byttes ut med noen andre enn de som er anbefalt av produsenten, da de er vesentlige for ytelsen til barnesetet.

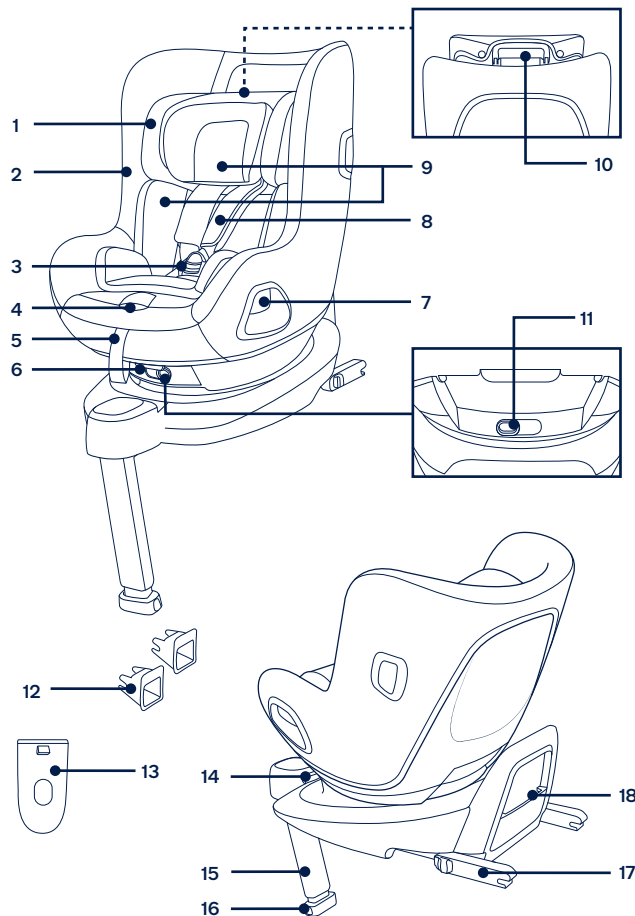
Instruksjonene skal oppbevares sammen med det forbedrede barnesetet så lenge det er i bruk.

Ta også hensyn til instruksjonene og advarslene i håndboken fra produsenten av bilen.

Deleliste

Påse at du har alle delene før montering. Hvis noen del mangler, kontakter du din lokale forhandler. Det kreves ingen verktøy for montering.

- | | |
|-----------------------------|------------------------------------|
| 1 Hodestøtte | 11 Svinglås |
| 2 Setepute | 12 ISOFIX-førere |
| 3 Spenne | 13 Beskyttelseskapsel mot sidestøt |
| 4 Nettingjusteringsknapp | 14 ISOFIX-justeringsknapp |
| 5 Justeringsnetting | 15 Lastben |
| 6 Ryggjusteringsknapp | 16 Justeringsknapp for lastben |
| 7 Dreieknapp | 17 ISOFIX-festekontakt |
| 8 Skulderbeltetrekk | 18 Oppbevaring for bruksanvisning |
| 9 Spedbarnsinnlegg | |
| 10 Hodestøttejusteringsspak | |



Produktoppsett

Merknader for installasjon

Dette forbedrede barnesetesystemet er kun egnet for bilseter med ISOFIX-ankerstenger. (1)

IKKE bruk det bakovervendte forbedrede barnesetesystemet i sitteplasser der en aktiv frontkollisjonspute er installert. (2) Dødsfall eller alvorlig skade kan oppstå. Se bruksanvisningen til kjøretøyet for mer informasjon.

IKKE installer det forbedrede barnesetesystemet på bilseter som er vendt sidelengs eller bakover med hensyn til retningen kjøretøyet beveger seg.

Se bruksanvisningen til kjøretøyet for anbefalte eller foreslåtte installasjonsposisjoner. (3)

Det anbefales at det forbedrede barnesetet monteres på et baksete. (4)

Bruke produktet

Installasjon

- 1 - Fest ISOFIX-førerne til ISOFIX-ankerstengene i bilen (se bruksanvisningen til bilen). (5) ISOFIX-førerne kan beskytte overflaten av bilsetet fra riving. De kan også føre ISOFIX-kontaktene.
- 2 - Brett opp lastbenet fra oppbevaringsrommet. (6)
- 3 - Forleng ISOFIX-kontaktene ved å trykke ISOFIX-justeringsknappen mens du trekker på kontakten. (7)
- 4 - Trykk ISOFIX-justeringsknappen for å justere ISOFIX-kontaktene. Monter ISOFIX-kontaktene med ISOFIX-førerne, og klikk deretter begge ISOFIX-kontaktene i ISOFIX-ankerstengene. (8)
 - ! Sørg for at begge ISOFIX-kontaktene er sikkert festet til ISOFIX-ankerstengene i bilen. Du skal høre to klikk, og indikatorene på begge ISOFIX-kontaktene skal være helt grønne. (8)-1
 - ! Kontroller at basen er sikkert montert ved å trekke på begge ISOFIX-kontaktene.

- 5 - Når du har satt basen på bilsetet, må du strekke ut lastbenet til gulvet (9). Når lastbenet er riktig installert, viser lastbenindikatoren grønt. Det vises rødt når det er installert feil. (9)-2

Lastbenet har flere stillinger. Når lastbenindikatoren er rød, betyr dette at lastbenet er i feil posisjon.

- ! Sørg for at lastbenet er i full kontakt med kjøretøyets gulvplate.
- ! Klem justeringsknappen for lastbenet, og forkort lastbenet oppover. (9)-1

Den ferdigmonterte basen er vist som (10).

- ! ISOFIX-kontaktene må festes og låses på ISOFIX-ankerstengene. (10)-1
- ! Lastbenet må monteres riktig med grønn indikator. (10)-2

- 6 - Når du skal fjerne basen fra bilsetet, trykker du først den sekundære låseknappen (11)-1 og deretter knappen (11)-2 på ISOFIX-kontaktene. (11)
- 7 - For transport trykker du ISOFIX-justeringsknappen og flytter ISOFIX-kontaktene tilbake til lagringsposisjon. (12)

Bruk sidestøtbeskyttelse

- 1 - Det forbedrede barnesetet leveres med en avtagbar beskyttelseskapsel mot sidestøt. Beskyttelseskapselen mot sidestøt **MÅ** brukes på dørsiden av kjøretøyet. Installasjon vist på (13)
- 2 - Trykk utløserknappen for å fjerne beskyttelseskapselen mot sidestøt. (14)

Høydejustering

for hodestøtte og skuldersel

Juster hodestøtten og kontroller at skulderselen er i riktig høyde i henhold til (15)-(18).

- ! Ved bakovervendt bruk må høyden på skulderselensporene være på høyde med eller like under toppen av skuldrene til barnet. (15)
- ! Ved fremovervendt bruk må høyden på skulderselen være på høyde med toppen av skulderen til barnet. (16)

Trekk justeringsspaken for hodestøtten (17) mens du trekker opp eller ned på hodestøtten til den klikker inn på en av de 6 posisjonene. Hodestøtteposisjonene er vist som (18).

Ryggjustering

- 1- Klem ryggjusteringsknappen for å sette det forbedrede barnesetet i riktig posisjon. (19)
- 2- Både ved bakovervendt og fremovervendt bruk er det 5 vinkler for lening, som er vist som. (20)

Bakovervendt modus

(Barnets høyde 40–105 cm / Barnets vekt ≤ 19 kg)

- ! Installer det forbedrede barnesetet på baksetet, og sett deretter barnet i det forbedrede barnesetet.
 - ! Skyv svinglåseknappen til høyre når det forsterkede barnesetet brukes bakovervendt. (21)
- 1- Hold inne ISOFIX-justeringsknappen og skyv det forbedrede barnesetesystemet tilbake til det kommer i kontakt med kjøretøyet seterygg. (22)
 - 2- Hold inne dreieknappen for å dreie setet slik at det blir lett å sette barnet inn og ta det ut, og drei det rundt til bakovervendt stilling. (23)
 - ! Trykk dreieknappen på hver side for å dreie det forbedrede barnesetet.
 - ! Pass alltid på at barnesetet er i låst posisjon (bakovervendt / fremovervendt) selv når barnet ikke er i det.
 - 3- Hold inne selejusteringsknappen, og trekk skulderselene til ønsket lengde. (Trekk fra under de faste skulderputene for å forlenge.) (24)
 - 4- Lås opp låsespennene ved å trykke den røde knappen. (25)
 - 5- Plasser spennetungene mot det magnetiske området på utsiden av det forbedrede barnesetet slik at de holdes på plass. (26)

Bruke spedbarnsinnlegg



Vi anbefaler at du bruker hele spedbarnsinnlegget så lenge barnet er under 60 cm og ≤ 13 kg. Den kan brukes til de vokser ut av innlegget.

Spedbarnsinnlegget øker beskyttelsen mot støt fra siden.

- 6- Legg barnet i det forbedrede barnesetet, og legg legges armer gjennom selen.
- 7- Fest spennene. Se (27).
- 8- Drei det forbedrede barnesetet slik at det er bakovervendt. Indikatoren på det forbedrede barnesetet vises grønt. (28)
- 9- Trekk ned justeringsbåndet, og juster det til riktig lengde slik at barnet sitter godt fast. (29)
 - ! Barnet skal alltid holdes godt i selen og strammet ordentlig; eventuelt slakk skal fjernes.

Bruk fremovervendt

(Barnets høyde 76–105 cm / Barnets vekt ≤ 19 kg)

(Barnets alder ≥ 15 måneder)

- ! Installer det forbedrede barnesetet på baksetet, og sett deretter barnet i det forbedrede barnesetet.
 - ! Skyv svinglåseknappen til venstre når det forsterkede barnesetet brukes forovervendt. (30)
- 1- Hold inne dreieknappen for å dreie setet slik at det blir lett å sette barnet inn og ta det ut, og drei det rundt til forovervendt stilling. (31)(32)
 - ! Trykk dreieknappen på hver side for å dreie det forbedrede barnesetet.
 - ! Pass alltid på at barnesetet er i låst posisjon (bakovervendt / fremovervendt) selv når barnet ikke er i det.

- 2 - Hold inne selejusteringsknappen, og trekk skulderselene til ønsket lengde. (Trekk fra under de faste skulderputene for å forlenge.) (33)
- 3 - Lås opp låsespennen ved å trykke den røde knappen. (34)
 - ! Fjern spedbarnsinnlegget i fremovervendt modus.
- 4 - Plasser spennetungene mot det magnetiske området på utsiden av det forbedrede barnesetet slik at de holdes på plass. (35)
- 5 - Drei det forbedrede barnesetet slik at det er fremovervendt, så vises indikatoren for det forbedrede barnesetet som grønt. (36)
- 6 - Trekk ned justeringsbåndet, og juster det til riktig lengde slik at barnet sitter godt fast. (37)
 - ! Barnet skal alltid holdes godt i selen og strammet ordentlig; eventuelt slakk skal fjernes.
 - ! **IKKE** bruk fremovervendt med mindre barnet er minst 76 cm OG 15 måneder.

Løsne og montere de myke delene

Trykk den røde knappen for å frigjøre spennen. (38)

Følg trinnene (39) - (44) for å løsne de myke delene.

Når du skal feste de myke delene igjen, gjentar du trinnene ovenfor omvendt.

Rengjøring og vedlikehold

Oppbevar spedbarnsinnlegget på et sted utenfor barns rekkevidde.

Vask de myke delene med kaldt vann under 30 °C.

IKKE stryk de myke delene.

IKKE bruk blekemiddel eller tørk de myke delene.

IKKE bruk uførtynnede nøytrale vaskemidler, bensin eller andre organiske løsemidler til å vaske det forbedrede barnesetet. Det kan føre til skade på det forbedrede barnesetet.

IKKE vri opp de myke delene med stor kraft for å tørke dem. Det kan gjøre dem rynket.

Tørk de myke delene i skyggen.

Fjern det forbedrede barnesetet fra bilsetet hvis det ikke skal brukes på lengre tid.

VIKTIGT!
BEHÅLL DESSA
ANVISNINGAR FÖR
FRAMTIDA BRUK!
LÄS IGENOM NOGA

Innehåll

Produktinformation	199
Garanti	
Kontakt	
Barnanvändningskrav	200
Varning	201
Lista över delar	203
Produktinställning	205
Produktanvändning	205
Rengöring och underhåll	210

Produktinformation

Modellnummer: _____

Tillverkningsdatum: _____

Garanti

Vi har avsiktligt designat våra högkvalitativa produkter så att de kan växa med både barnet och familjen. Eftersom vi står för våra produkter täcks vår utrustning av en kundgaranti per produkt med början från inköpsdatumet. Ha inköpsbevis, modellnummer och tillverkningsdatum tillgängligt när du kontaktar oss.

För garantiinformation besök:

www.nunababy.com

Klicka på länken "Garanti" på startsidan.

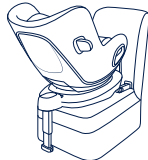
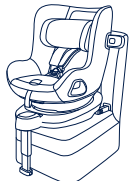
Kontakt




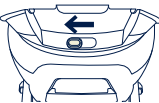
För reservdelar, service eller ytterligare garantifrågor, kontakta vår kundtjänstavdelning.

info@nunababy.com
www.nunababy.com

Barnanvändningskrav

Denna produkt är lämplig att använda för barn som uppfyller följande krav:

Barnets storlek	Installationsläge	Bild för installation	Referensålder	Stolposition	Instruktioner för spädbarnsinsats
40 cm-105 cm/≤19kg	Bakåtvänt läge		< 4 år	Position 1-5	Vi rekommenderar att hela insatsen används när barnet är mindre än 60 cm och ≤ 13 kg. Den kan användas tills barnet vuxit ur den. Spädbarnsinsatsen ökar skyddet för sidostötar.
76cm-105 cm/≤19kg	Framåtvänt läge		15 månader till 4 år	Position 1-5	Ta bort spädbarnsinsatsen i framåtvänt läge.

Barnets ålder	Installationsläge	Montering	Riktningsslås
<15M	Bakåtvänt läge		
>15M	Bakåtvänt/ framåtvänt läge		

- 1 - Det här är ett "i-Size"-system för förstärkt bilbarnstol. Den är godkänd enligt FN-bestämmelse nr 129, för användning i i-Size kompatibelt fordonssäte, placerad såsom indikeras av fordonstillverkarens bruksanvisning.
- 2 - Vid tveksamheter ska antingen tillverkaren eller återförsäljaren av system för förstärkt bilbarnstol rådfrågas.

VARNING

Underlåtenhet att följa dessa varningar och instruktioner kan resultera i allvarlig skada eller dödsfall.

FÖRSÄKRA dig om att du är säker på att fasta föremålen och plastdelarna på en förstärkt bilbarnstol är placerade och monterade så att de inte är benägna att fastna i ett säte som rör sig eller i någon av fordonets dörrar.

Använd **INTE** framåtvända förstärkta bilbarnstolsystem på säten som det finns monterat en aktiv krockkudde framför.

För att använda den här förstärkta bilbarnstolen i enlighet med FN-förordning nr 129 måste ditt barn uppfylla följande krav.

Bakåtvänd:

Barnets längd 40 cm–105 cm/barnets vikt \leq 19kg;

Framåtvänd:

Barnets längd 76 cm–105 cm/barnets vikt \leq 19kg;

VIKTIGT - ANVÄND INTE FRAMÅTVÄND INNAN BARNET HAR UPPNÅTT EN ÅLDER PÅ 15 MÅNADER (se instruktionerna)

Alla stödben ska ha kontakt med fordonets golv och alla remmar som spänner fast barnet ska vara justerade mot barnets kropp. Remmarna får inte vridas.

Se till att säkerställa att höftbandet sitter lågt ned, så att bäckenet är ordentligt fastsatt, skall vara spänt.

Den här förstärkta bilbarnstolen bör bytas ut efter att den har utsatts för kraftig påverkan vid en olycka. En olyckshändelse kan orsaka skador på den som inte är synliga med blotta ögat.

Överväg risken med att utföra några ändringar eller tillägg på enheten utan godkännande från adekvat myndighet och riskerna med att inte noga följa monteringsanvisningarna som tillverkaren inkluderat med bilbarnstolen.

Håll den här förstärkta bilbarnstolen borta från direkt solljus eftersom den i annat fall kan bli för het för barnets hud. Testa alltid temperaturen genom att känna på den förstärkta bilbarnstolen innan du placerar barnet i den.

Barn får inte lämnas obevakade i deras förstärkta bilbarnstol.

Allt bagage eller andra föremål som kan orsaka personskador vid en kollision måste vara ordentligt säkrade.

Den förstärkta bilbarnstolen kanske inte passar i alla godkända fordon när den används i en av dessa positioner.

Det förstärkta bilbarnstolsystemet **SKA INTE ANVÄNDAS** utan det tygdela.

Det mjuka materialet får inte ersättas med något annat material än det som rekommenderas av tillverkaren, eftersom det mjuka materialet utgör en integrerad del av bilbarnstolens egenskaper.

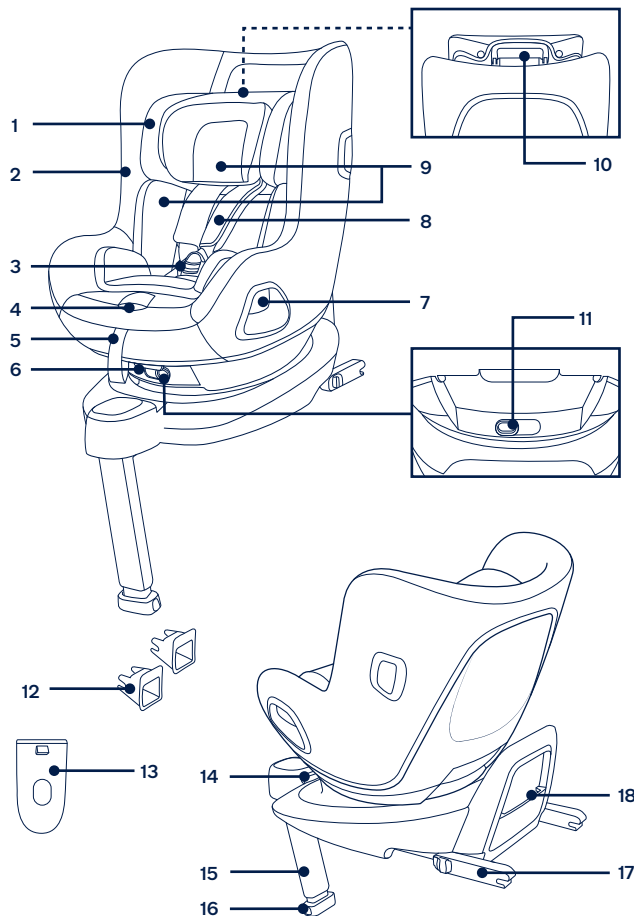
Instruktionerna ska förvaras i den förstärkta bilbarnstolen under dess livslängd.

Var även uppmärksam på instruktionerna och varningarna i handboken från fordonets tillverkare.

Lista över delar

Kontrollera att alla delar är tillgängliga före montering. Om någon del saknas, kontakta återförsäljaren. Inga verktyg behövs för montering.

- | | | | |
|---|-------------------------------------|----|--------------------------------------|
| 1 | Huvudstöd | 10 | Inställningsspak för huvudstödet |
| 2 | Sittdyna | 11 | Riktningsslås |
| 3 | Bälte | 12 | ISOFIX-styrskenor |
| 4 | Knapp för justering av band | 13 | Sidokrockskyddskapsel |
| 5 | Justeringsband | 14 | ISOFIX-justeringsknapp |
| 6 | Justeringsknapp för tillbakalutning | 15 | Stödben |
| 7 | Rotationsknapp | 16 | Justeringsknapp för stödben |
| 8 | Täckning axelremmar | 17 | ISOFIX-anslutning |
| 9 | Spädbarnsinsats | 18 | Förvaringsutrymme för bruksanvisning |



Produktinställning

Installationsbekymmer

Det här förstärkta bilbarnstolsystemet är endast lämpligt för bilsäten utrustade med ISOFIX-förankringsskenor. (1)

Använd INTE framåtvända förstärkta bilbarnstolsystem på säten som det finns monterat en aktiv krockkudde framför. (2) Dödsfall eller allvarliga skador kan uppstå. Se fordonets bruksanvisning för ytterligare information.

Installera INTE det här förstärkta bilbarnstolsystemet i fordonssäten riktat åt sidan eller bakåt avseende fordonets körriktning.

Se fordonets bruksanvisning för rekommenderade eller föreslagna installationspositioner. (3)

Det rekommenderas att installera denna förstärkta bilbarnstol i baksätet. (4)

Produktanvändning

Montering

- 1 - Fäst ISOFIX-styrskenor på fordonets ISOFIX-förankringsskenor (se fordonets ägarhandbok). (5) ISOFIX-styrskenor kan skydda bilsätets yta från att slitas ut. De kan också styra ISOFIX-anslutningarna.
 - 2 - Vik ut stödbenet från förvaringsutrymmet. (6)
 - 3 - Förläng ISOFIX-anslutningen genom att trycka på ISOFIX-justeringsknappen och samtidigt dra i anslutningen. (7)
 - 4 - Tryck på ISOFIX justeringsknappen för att justera ISOFIX-anslutningarna. Rikta in ISOFIX-anslutningarna mot ISOFIX-skenorna och klicka sedan i båda ISOFIX-anslutningarna i ISOFIX-förankringsskenorna. (8)
- ! Var noga med att båda ISOFIX anslutningarna sitter fast ordentligt på fordonets ISOFIX-förankringsskenorna. Det ska uppstå två hörbara klick och indikatorernas färger på båda ISOFIX-kontakterna ska vara helt gröna. (8)-1
- ! Kontrollera så att du är säker på att basen sitter fast installerad genom att dra i båda ISOFIX-anslutningarna.

- 5 - Efter att basen placerats på fordonssätet, förläng stödbenet till golvet (9). När stödbenet är installerat korrekt blir indikatorn för stödben gröna. Vid felaktig montering blir den röd. (9)-2

Stödbenet har flera lägen. När stödbenets indikator visar rött, innebär detta att stödbenet är i fel läge.

- ! Kontrollera att stödbenet är helt i kontakt med fordonets golv.
- ! Kläm på stödbenet justeringsknapp och förkorta stödbenet uppåt. (9)-1

Den komplett monterade basen visas som på bilden (10).

- ! ISOFIX-anslutningarna måste fästas och låsas på ISOFIX-förankringsskenorna. (10)-1
- ! Stödbenet måste vara installerat korrekt med gröna indikator. (10)-2

- 6 - Ta bort basen genom att först trycka på den andra låsknappen (11)-1 och sedan på knappen (11)-2 på ISOFIX-anslutningarna innan basen tas bort från fordonssätet. (11)
- 7 - Vid transport ska ISOFIX-justeringsknappen tryckas in och ISOFIX-anslutningarna ska flyttas tillbaka in i förvaringsläge. (12)

Använda sidokrockskyddet

- 1 - Den förstärkta bilbarnstolen levereras med löstagbar sidokrockskyddskapsel. Sidokrockskyddskapseln **MÅSTE** användas på fordonets dörrsida. Installationen visas i (13).
- 2 - Tryck på frigöringsknappen för att ta bort sidokrockskyddskapseln. (14)

Höjdjustering

för huvudstöd och axelselen

Justera huvudstödet och kontrollera att axelselen är i korrekt höjd enligt (15)-(18).

- ! Vid användning i bakåtvänt läge måste axelremmarnas höjd vara i jämnhöjd med eller strax under översta punkten på barnets axlar. (15)
- ! Vid användning i framåtvänt läge måste axelremmarnas höjd vara i jämnhöjd med översta punkten på barnets axlar. (16)

Dra i huvudstödspaken (17) och dra samtidigt upp eller skjut ner huvudstödet tills det snäpper på plats i en av de 6 olika positionerna. Huvudstödet positioner visas i (18).

Lutningsjustering

- 1 - Tryck på knappen för lutningsjustering för att justera den förstärkta bilbarnstolen till den lämpliga positionen. (19)
- 2 - Både bakåtvänt läge och framåtvänt läge har 5 lutningspositioner, lutningsvinklarna visas enligt. (20)

Bakåtvänt läge

(Barnets längd 40 cm–105 cm/barnets vikt ≤ 19 kg)

- ! Installera den förstärkta bilbarnstolen i baksätet och placera sedan barnet i den förstärkta bilbarnstolen.
 - ! Skjut riktningsslåset till höger när den förstärkta barnbilstolen används i bakåtvänt läge. (21)
- 1 - Tryck och håll kvar på ISOFIX-justeringsknappen och tryck det förstärkta bilbarnsstolssystemet bakåt tills de kommer i kontakt med fordonets ryggstöd. (22)
 - 2 - Tryck och håll kvar på rotationsknappen för att enklare placera/ta ur barnet och rotera sedan sätet till den bakåtvända positionen. (23)
 - ! Tryck på rotationsknappen på vardera sidan för att rotera den förstärkta bilbarnstolen.
 - ! Kontrollera alltid att bilbarnstolen är i den låsta positionen (bakåtvänd/ framåtvänd) även när barnet inte är i den.
 - 3 - Tryck på bandjusteringsknappen medan du drar axelselarna till den önskade längden (dra från de fasta axeldynorna för att förlänga). (24)
 - 4 - Lossa bältesspännet på axelselen genom att trycka på den röda knappen. (25)
 - 5 - Placera spännets tungor mot det magnetiska området på utsidan av den förstärkta bilbarnstolen så att tungorna hålls på plats. (26)

Använd spädbarnsinsats



Vi rekommenderar att hela insatsen används när barnet är mindre än 60 cm och ≤ 13 kg. Den kan användas tills barnet vuxit ur den.

Spädbarnsinsatsen ökar skyddet för sidostötar.

- 6 - Placera barnet i den förstärkta barnbilstolen och dra båda armarna genom selarna.
- 7 - Aktivera spännet. Se (27).
- 8 - Roter den förstärkta bilbarnstolen så att den blir bakåtvänd. Den förstärkta bilbarnstolens indikator blir grön. (28)
- 9 - Dra ner justeringsbandet och ställ in en lämplig längd för att se till att barnet korrekt fast ordentligt. (29)
 - ! Ha alltid barnet säkert i selen som ska vara ordentligt åtdragen, ta bort eventuellt slack.

Framåtvänt läge

(Barnets höjd 76 cm–105 cm/Barnets vikt ≤ 19kg)

(Barnets ålder ≥ 15 månader)

- ! Installera den förstärkta bilbarnstolen i baksätet och placera sedan barnet i den förstärkta bilbarnstolen.
 - ! Skjut riktningsslåset till vänster när den förstärkta barnbilstolen används i framåtvänt läge. (30)
- 1 - Tryck och håll kvar på rotationsknappen för att enklare placera/ta ur barnet och rotera sedan sätet till den framåtvända positionen. (31)(32)
 - ! Tryck på rotationsknappen på vardera sidan för att rotera den förstärkta bilbarnstolen.
 - ! Kontrollera alltid att bilbarnstolen är i den låsta positionen (bakåtvänd/ framåtvänd) även när barnet inte är i den.

- 2** - Tryck på bandjusteringsknappen medan du drar axelselarna till den önskade längden (dra från de fasta axeldynorna för att förlänga). **(33)**
- 3** - Lossa bältesspännet på axelselen genom att trycka på den röda knappen. **(34)**
- ! Ta bort spädbarnsinsatsen i framåtvänt läge.
- 4** - Placera spännets tungor mot det magnetiska området på utsidan av den förstärkta bilbarnstolen så att tungorna hålls på plats. **(35)**
- 5** - Roter den förstärkta bilbarnstolens säte till framåtvänt, den förstärkta bilbarnstolens indikator blir grön. **(36)**
- 6** - Dra ner justeringsbandet och ställ in en lämplig längd för att se till att barnet korrekt fast ordentligt. **(37)**
- ! Ha alltid barnet säkert i selen som ska vara ordentligt åtdragen, ta bort eventuellt slack.
- ! Använd **INTE** framåtvänt innan ditt barn både är minst 76 cm lång OCH 15 månader fyllda.

Ta bort och montera mjuka delar

Tryck på den röda knappen för att öppna spännet. **(38)**

Följ stegen **(39)** - **(44)** för att ta bort de mjuka delarna.

För att montera fast det mjuka materialet igen, upprepa stegen ovan i omvänd ordning.

Rengöring och underhåll

Förvara spädbarnsinsatsen utom barnets räckhåll.

Tvätta det mjuka materialet med kallt vatten under 30 °C.

Stryk **INTE** det mjuka materialet.

Blek **INTE** eller kemtvätta det mjuka materialet.

Använd **INTE** utspätt rengöringsmedel, bensin eller andra organiska lösningsmedel till att tvätta den förstärkta bilbarnstolen. Det kan skada den förstärkta bilbarnstolen.

Vrid **INTE** ur det mjuka materialet för att torka det. Det kan orsaka veck i det mjuka materialet.

Häng upp det mjuka materialet och låt det torka i skuggan.

Ta bort den förstärkta bilbarnstolen från fordonssätet om den inte skall användas under en längre tid.

TÄRKEÄÄ!
SÄILYTÄ NÄMÄ
OHJEET TULEVAA
TARVETTA VARTEN:
LUE HUOLELLISESTI

Sisältö

Tuotetiedot	213
Takuu	
Yhteystiedot	
Lapsen käyttövaatimukset	214
Varoitus	215
Osaluettelo	217
Tuotteen asetus	219
Tuotteen käyttö	219
Puhdistus ja kunnossapito	224

Tuotetiedot

Mallinumero: _____

Valmistuspäivämäärä: _____

Takuu

Olemme tarkoituksellisesti suunnitelleet korkealaatuiset tuotteemme niin, että ne voivat kasvaa sekä lapsesi että perheesi kanssa. Koska luotamme tuotteeseemme, laitteellamme on tuotekohtainen mukautettu takuu, joka alkaa tuotteen ostopäivästä. Pidä ostotosite, mallinumero ja valmistuspäivämäärää käsillä, kun otat meihin yhteyttä.

Katso takuutiedot osoitteesta:

www.nunababy.com

Napsauta aloitussivulla "Takuu"-linkkiä.

Yhteystiedot

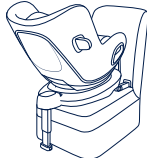
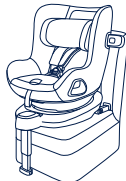
Ota yhteyttä vaihto-osiin, huoltoon ja lisätakuuseen liittyvissä kysymyksissä asiakaspalveluosastoomme.



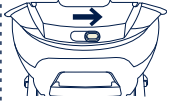


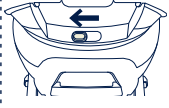
info@nunababy.com

www.nunababy.com

Lapsen käyttövaatimukset

Tämä tuote soveltuu käytettäväksi lapsille, jotka täyttävät seuraavat vaatimukset:

Lapsen koko	Asennustila	Asennuskaavio	Viiteikä	Istumapaikka	Vauvalisävarusteohjeet
40–105 cm / ≤19kg	Taaksepäin suunnattu tila		<4 vuotta	Sijainti 1-5	On suositeltavaa käyttää koko vauvan lisäosaa niin kauan, kun vauva on alle 60 cm pituinen ja painaa ≤13 kg. Vauvan lisäosaa voi käyttää, kunnes lapsi on kasvanut lisäosaa pitemmäksi. Vauvan lisäosa parantaa sivutörmäyssuojausta.
76–105 cm / ≤19kg	Kasvot menosuuntaan -tila		15 kuukautisesta 4-vuotiaaseen	Sijainti 1-5	Poista vauvan lisäosa kasvot menosuuntaan -tilassa

Lapsen ikä	Asennustila	Asennus	Kääntyvä lukitus
<15 k.	Taaksepäin suunnattu tila	 	
>15 k.	Taka-/ eteenpäin suuntautuva tila	 	

- 1 - Tämä on "i-Size"-parannettu lapsen turvaistuin. Se on hyväksytty Yhdistyneiden Kansakuntien säädöksen nro 129:n mukaisesti käytettäväksi i-Size-yhteensopivissa istumasijainneissa, jotka ajoneuvon valmistaja on osoittanut ajoneuvon käyttöoppaassa.
- 2 - Jollet ole varma, ota yhteyttä joko parannetun lapsen turvaistuimen valmistajaan tai jälleenmyyjään.

VAROITUS

Näiden varoitusten ja ohjeiden huomiotta jättäminen voi johtaa vakavaan vammaan tai kuolemaan.

PIDÄ HUOLI, että lapsen parannetun turvaistuimen jäykät kohteet ja muoviosat on sijoitettu ja asennettu niin, etteivät ne todennäköisesti takerru siirrettävään penkkiin tai ajoneuvon oveen.

ÄLÄ käytä taaksepäin suunnattua parannettua lapsen turvaistuinta istuimilla, joihin on asennettu aktiivinen frontaalinen turvatyyny.

Käyttääksesi tätä parannettua lasten turvaistuinta Yhdistyneiden Kansakuntien säädöksen nro 129 mukaisesti, lapsen on täytettävä seuraavat vaatimukset.

Taaksepäin suunnattu:

Lapsen pituus 40–105 cm / Lapsen paino ≤19kg;

Kasvot menosuuntaan:

Lapsen pituus 76–105 cm / Lapsen paino ≤19kg ;

TÄRKEÄÄ - ÄLÄ KÄYTÄ KASVOT MENOSUUNTAAN ENNEN KUIN LAPSEN IKÄ ON YLI 15 KUUKAUTTA (Katso ohjeet)

Tukijalan tulee olla kosketuksissa ajoneuvon lattian kanssa ja kaikkien hihnojen tulee olla säädetty lapsen keholle sopiviksi. Hihnät eivät saa olla kiertyneitä.

Varmista, että kaikkia sylihihnoja pidetään alhaalla niin, että lantio on kiinnittynyt lujasti, on kuormitettava.

Tämä parannettu lapsen turvaistuin tulee vaihtaa, jos se on altistunut voimakkaille rasituksille onnettomuudessa. Onnettomuus voi aiheuttaa silmille havaitsematonta vahinkoa.

Pidä mielessä vaara, joka aiheutuu ilman toimivaltaisen viranomaisen hyväksyntää tehdyistä muutoksista tai lisäyksistä, ja vaaroja, jotka aiheutuvat siitä, ettei lapsen parannetun turvaistuimen valmistajan toimittamia asennusohjeita noudateta tarkasti.

Pidä tämä parannettu lapsen turvaistuin poissa suorasta auringonpaisteesta, siitä voi tulla liian kuuma lapsen iholle. Tunnustele parannetun lapsen turvaistuimen lämpötila ennen lapsen asettamista siihen.

Lapsia ei saa jättää valvomatta parannettuihin lapsen turvaistuihin.

Kaikki matkatavarat tai muut esineet, jotka voivat aiheuttaa vammoja törmäystilanteessa, on kiinnitettävä kunnolla.

Parannettu lapsen turvaistuin ei ehkä sovi kaikkiin hyväksytyihin ajoneuvoihin, kun sitä käytetään jossakin näistä sijainneista.

Parannettua lapsen turvaistuinjärjestelmää **EI SAA KÄYTTÄÄ** ilman pehmyttarvikkeita.

Pehmyttarvikkeita ei saa vaihtaa muihin kuin valmistajan suosittelemiin, koska pehmyttarvikkeet muodostavat kiinteän osan turvajärjestelmän suorituskyvystä.

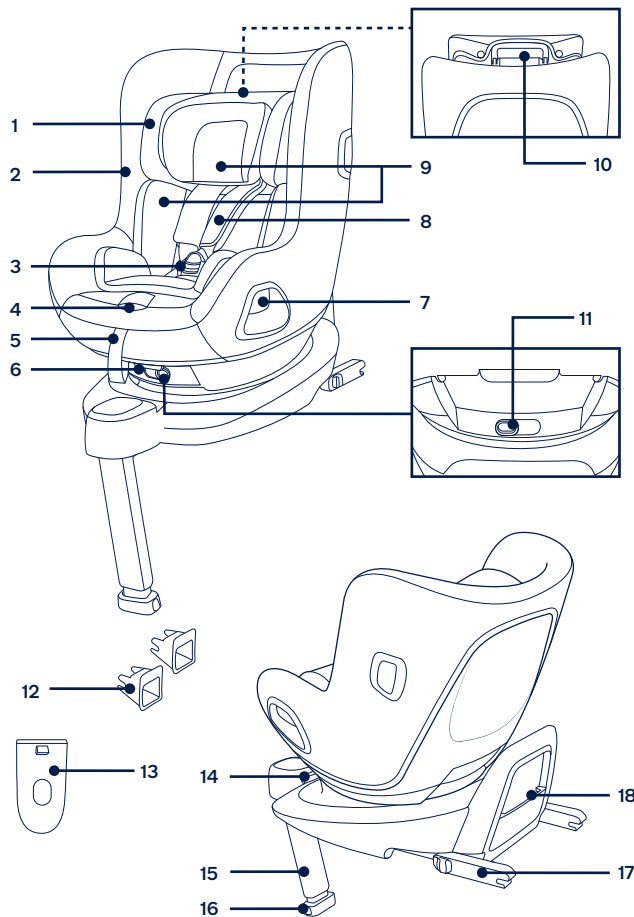
Käyttöohjeita on säilytettävä parannetussa lapsen turvaistuimessa koko sen käyttöiän.

Kiinnitä myös huomiota ajoneuvon valmistajan käsikirjan ohjeisiin ja varoituksiin.

Osaluettelo

Varmista ennen kokoamista, että kaikki osat ovat käytettävissä. Jos jokin osa puuttuu, ota yhteyttä paikalliseen jälleenmyyjään. Kokoamiseen ei tarvita työkaluja.

- | | |
|------------------------------|----------------------------------|
| 1 Päätuki | 11 Kääntyvä lukitus |
| 2 Istuintyyny | 12 ISOFIX-ohjaimet |
| 3 Solki | 13 Sivutörmäyssuojaus |
| 4 Nauhakudoksen säätöpainike | 14 ISOFIX-säätöpainike |
| 5 Säätönauhakudos | 15 Kuormitusjalka |
| 6 Kallistuksen säätöpainike | 16 Kuormitusjalan säätöpainike |
| 7 Pyöriävä painike | 17 ISOFIX-liitin |
| 8 Hartiavaljaiden suojukset | 18 Käyttöohjeiden säilytyslokero |
| 9 Vauvalisävaruste | |
| 10 Päätuen säätövipu | |



Tuotteen asetus

Asennuksessa huomioitavaa

Tämä parannettu lapsen turvaistuinjärjestelmä on sopiva ajoneuvon istuimille, joissa on i-Size ISOFIX -kiinnityspisteet. (1)

ÄLÄ käytä taaksepäin suunnattua parannettua lapsen turvaistuinta istuimilla, joihin on asennettu aktiivinen frontaalinen turvatyyny. (2) Seurauksena voi olla kuolema tai vakava vamma. Katso lisätietoja ajoneuvon käyttöoppaasta.

ÄLÄ asenna tätä parannettua lapsen turvaistuinta ajoneuvon istuimille, jotka ovat sivuttain tai taaksepäin ajoneuvon kulkusuuntaan nähden.

Katso suositellut tai ehdotetut asennussijainnit ajoneuvon käyttöoppaasta. (3)

On suositeltavaa asentaa tämä parannettu lapsen turvaistuin ajoneuvon takapenikille. (4)

Tuotteen käyttö

Asennus

- 1 - Kiinnitä ISOFIX-ohjaimet ajoneuvon ISOFIX-kiinnitystankoihin (katso ajoneuvon omistajan käsikirja). (5) ISOFIX-ohjaimet suojaavat ajoneuvon istuimen pintaa repeämisiltä. Ne myös ohjaavat ISOFIX-liittimiä. (6)
- 2 - Taita tukijalka esiin varastolokerosta. (6)
- 3 - Laajenna ISOFIX-liittimiä painamalla ISOFIX-säätöpainiketta samalla liittimestä vetäen. (7)
- 4 - Paina ISOFIX-säätöpainiketta säätääksesi ISOFIX-liittimiä. Kohdista ISOFIX-liittimet ISOFIX-ohjaimien kanssa ja napsauta sitten molemmat ISOFIX-liittimet ISOFIX-kiinnitystankoihin. (8)
 - ! Varmista, että molemmat ISOFIX-kiinnikkeet on kiinnitetty lujasti ajoneuvon ISOFIX-kiinnitystankoihin. Liitettäessä tulisi kuulua kaksi naksahdusta ja molempien ISOFIX-merkkivalojen tulisi palaa vihreinä. (8)-1
 - ! Varmista, että alusta on asennettu pitävästi vetämällä molemmista ISOFIX-liittimistä.

- 5 - Asetettuaasi alustan ajoneuvon istuimelle, laajenna tukijalka lattiaan (9). Kun tukijalka on kiinnitetty oikein, tukijalan merkkivalo palaa vihreänä. (9)-2

Tukijalalla on useita asentoja. Kun tukijalan merkkivalo palaa punaisena, tukijalka on väärässä asennossa.

- ! Varmista, että tukijalka on kokonaan kosketuksissa ajoneuvon lattialeevyn kanssa.
- ! Purista tukijalan säätöpainiketta ja lyhennä sitten tukijalkaa ylöspäin. (9)-1

Kokonaan koottu alusta näkyy kuvassa (10).

- ! ISOFIX-liittimien tulee olla kiinni ja lukittuina ISOFIX-kiinnityspisteisiin. (10)-1

- ! Tukijalka on asennettava oikein niin, että vihreä merkkivalo palaa. (10)-2

- 6 - Irrottaaksesi alustan, paina ensin toissijaista lukituspainiketta (11)-1 ja sen jälkeen painiketta (11)-2 ISOFIX-liittimissä ennen alustan poistamista ajoneuvon istuimesta. (11)
- 7 - Kuljetusta varten paina ISOFIX-säätöpainiketta ja siirrä ISOFIX-liittimet takaisin taaksepäin säilytysasentoon. (12)

Käytä sivutörmäyssuojaa

- 1 - Parannettu lapsen turvaistuin on varustettu irrotettavalla sivutörmäyssuojalla. Tätä sivutörmäyssuojaa ON käytettävä ajoneuvon ovipuolella. Asennus näytetty kohdassa (13).
- 2 - Paina vapautuspainiketta irrottaaksesi sivutörmäyssuojan. (14)

Korkeuden asetus

Päätuelle ja hartiavaljaille

Säädä päätuki ja tarkista, ovatko hartiavaljaat oikealla korkeudella kohtien (15)-(18) mukaan.

- ! Käytettäessä taaksepäin suunnatussa tilassa, hartiavaljaiden korkeuden on oltava samalla tasolla kuin lapsen hartiat tai juuri niiden alapuolella. (15)
- ! Käytettäessä kasvat menosuuntaan -tilassa, hartiavaljaiden korkeuden on oltava samalla tasolla lapsen hartioiden yläosan kanssa. (16)

Vedä päätuen säätövivusta (17) samalla, kun vedät ylös tai painat alas päätukea, kunnes se napsahtaa yhteen 6 asennosta. Päätuen asennot on näytetty kuvassa (18).

Kallistuksen säätö

- 1- Purista kallistuksen säätöpainiketta säätääksesi parannetun lapsen turvaistuimen oikeaan asentoon. (19)
- 2- Sekä taaksepäin- että eteenpäin suunnatussa tilassa on 5 kallistusasettoa, kallistuskulmat on näytetty kohdassa. (20)

Taaksepäin suunnattu tila

(Lapsen pituus 40–105 cm / Lapsen paino ≤19kg)

- ! Asenna parannettu lapsen turvaistuin ajoneuvon takaistuimelle ja aseta sitten lapsi parannettuun lapsen turvaistuimeen.
 - ! Liu'uta kääntölukkoa oikealle, kun käytät tehostettua lasten turvalaitetta selkä menosuuntaan. (21)
- 1- Pidä ISOFIX-säätöpainiketta painettuna ja työnnä tehostettua lasten turvajärjestelmää taaksepäin, kunnes se koskettaa ajoneuvon selkänjojaa. (22)
 - 2- Pidä kiertopainiketta painettuna kiertääksesi istuimen sille puolelle, josta lapsi on helpoin laskea paikalleen tai pois ja kierrä sitten turvaistuin taaksepäin suunnattuun asentoon. (23)
 - ! Paina kiertopainiketta jommalla kummalla puolella kiertääksesi parannettua lapsen turvaistuinta.
 - ! Varmista aina, että lasten turvalaite on lukitusasennossa (selkä menosuuntaan / selkä menosuuntaan) myös silloin, kun lapsi ei ole siinä.
 - 3- Paina valjaiden säätöpainiketta samalla, kun vedät hartiavaljaat ulos haluttuun pituuteen (Vedä alta kiinnitetyt hartiapehmusteet pidentääksesi). (24)
 - 4- Avaa valjaiden soljen lukitus painamalla punaista painiketta. (25)
 - 5- Aseta soljen kielet vasten magneettista aluetta parannetun lapsen turvaistuimen ulkopuolella niin, että kielet pysyvät paikoillaan. (26)

Vauvalisävarusteen käyttö



On suositeltavaa käyttää koko vauvan lisäosaa niin kauan, kun vauva on alle 60 cm pituinen ja painaa ≤13 kg. Vauvan lisäosaa voi käyttää, kunnes lapsi on kasvanut lisäosaa pitemmäksi.

Vauvan lisäosa parantaa sivutörmäyssuojausta.

- 6- Aseta lapsi parannettuun lapsen turvaistuimeen ja vie molemmat kädet valjaiden läpi.
- 7- Kiinnitä solki. Katso kuva (27).
- 8- Kierrä parannettu lapsen turvaistuin taaksepäin suunnattuun asentoon. Parannetun lapsen turvaistuimen merkivalo palaa vihreänä. (28)
- 9- Vedä säätönauhakudos alas ja säädä se oikeaan pituuteen niin, että lapsi on kiinnitetty tiukasti. (29)
 - ! Pidä lapsi aina kiinnitettynä valjaisiin, jotka on kiristetty oikein poistamalla löysyys.

Kasvot menosuuntaan -tila

(Lapsen pituus 76–105 cm / Lapsen paino ≤19kg)

(Lapsen ikä ≥15 kuukautta)

- ! Asenna parannettu lapsen turvaistuin ajoneuvon takaistuimelle ja aseta sitten lapsi parannettuun lapsen turvaistuimeen.
 - ! Liu'uta kääntölukkoa vasemmalle, kun käytät tehostettua lasten turvalaitetta selkä menosuuntaan asennettuna. (30)
- 1- Paina kiertopainiketta ja pidä sitä painettuna, jotta lapsen sivulle lastaus/purkaminen olisi helpompaa, ja käännä istuin sitten eteenpäin suunnattuun asentoon. (31)(32)
 - ! Paina kiertopainiketta jommalla kummalla puolella kiertääksesi parannettua lapsen turvaistuinta.
 - ! Varmista aina, että lasten turvalaite on lukitusasennossa (selkä menosuuntaan / selkä menosuuntaan) myös silloin, kun lapsi ei ole siinä.

- 2** - Paina valjaiden säätöpainiketta samalla, kun vedät hartiavaljaat ulos haluttuun pituuteen (Vedä alta kiinnitetyt hartiapehmusteet pidentääksesi). **(33)**
- 3** - Avaa valjaiden soljen lukitus painamalla punaista painiketta. **(34)**
- ! Poista vauvan lisäosa kasvat menosuuntaan -tilassa
- 4** - Aseta soljen kielet vasten magneettista aluetta parannetun lapsen turvaistuimen ulkopuolella niin, että kielet pysyvät paikoillaan. **(35)**
- 5** - Kierrä parannettu lapsen turvaistuin kasvat menosuuntaan, parannetun lapsen turvaistuimen merkkivalo palaa vihreänä. **(36)**
- 6** - Vedä säätönauhakudos alas ja säädä se oikeaan pituuteen niin, että lapsi on kiinnitetty tiukasti. **(37)**
- ! Pidä lapsi aina kiinnitettynä valjaisiin, jotka on kiristetty oikein poistamalla löysyys.
- ! **ÄLÄ** käytä Kasvat menosuuntaan -tilassa ennen kuin lapsi on vähintään 76 cm pitkä JA 15 kuukautta vanha.

Pehmyttarvikkeiden irrottaminen ja kokoaminen

Paina punaista painiketta soljen avaamiseksi. **(38)**

Toimi vaiheiden **(39)–(44)** mukaisesti irrottaaksesi pehmyttarvikkeet.

Kiinnittäaksesi pehmyttarvikkeet takaisin pakoilleen, toista yllä esitetyt vaiheet käänteisessä järjestyksessä.

Puhdistus ja kunnossapito

Säilytä vauvalisävarustetta lasten ulottumattomissa.

Pese pehmyttarvikkeet alle 30 °C -asteisessa kylmässä vedessä.

ÄLÄ silitä pehmyttarvikkeita.

ÄLÄ valkaise tai kuivapese pehmyttarvikkeita.

ÄLÄ käytä laimentamatonta neutraalia pesuainetta, bensiniä tai muita orgaanisia liuottimia parannetun lapsen turvaistuimen pesemiseen. Se voi vahingoittaa parannettua lapsen turvaistuinta.

ÄLÄ kuivaa pehmyttarvikkeita kiertämällä niitä suurella voimalla. Siitä voi jäädä pehmyttarvikkeisiin rypyjä.

Ripusta pehmyttarvikkeet kuivumaan varjoon.

Irrota parannettu lapsen turvaistuin ajoneuvon istuimesta, jos sitä ei käytetä pitkään aikaan.

VIGTIGT!
GEM DISSE
INSTRUKTIONER TIL
SENERE BRUG:
LÆS OMHYGGELIGT

Indhold

Produktoplysninger	227
Garanti	
Kontakt	
Brugskrav	228
Advarsel	229
Liste over dele	231
Samling af produktet	233
Brug af produktet	233
Rengøring og vedligeholdelse	238

Produktoplysninger

Modelnummer: _____

Fremstillingsdato: _____

Garanti

Vores høj kvalitetsprodukter er designet, så de kan tilpasses til dit barns voksende størrelse. Da vi står ved vores produkter, er vores udstyr dækket med en garanti, der er tilpasset hver produkt, og som starter den dag produktet købes. Du bedes venligst have dit købsbevis, modelnummer og fremstillingsdato klar, når du kontakter os.

Du kan finde flere garantioplysninger på:
www.nunababy.com
Klik på linket "Garanti" på hjemmesiden.

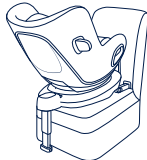
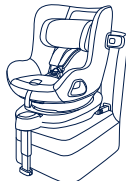
Kontakt


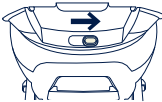
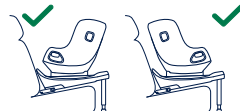

For oplysninger om reservedele, service og garantien, bedes du venligst kontakte vores kundeservice.

info@nunababy.com
www.nunababy.com

Brugskrav

Dette produkt er velegnet til brug med børn, der opfylder følgende krav:

Barnets størrelse	Opstillingsmåde	Billede af opstilling	Referencealder	Sædeposition	Instruktioner til indlægget til spædbørn
40-105 cm/ ≤19kg	Bagudvendt stilling		<4 år	Position 1-5	Vi anbefaler at bruge indlægget, mens barnet er under 60 cm og ≤13 kg. Det kan bruges, indtil de vokser ud af indsatsen. Indlægget til spædbørn beskytter mere mod stød fra siden.
76-105 cm/ ≤19kg	Fremadvendt stilling		15 måneder til 4 år	Position 1-5	Fjern indlægget til spædbørn, når produktet bruges i fremadvendt stilling.

Barnets alder	Opstillingsmåde	Montering	Hjulslås
<15 M	Bagudvendt stilling		
>15 M	Bagud- og fremadvendt stilling		

1 - Dette er et "i-Size" autostol-system. Det er - i henhold til FN-forordningen nr.129 - godkendt til brug i i-Size-kompatible sæder i køretøjer, som er angivet af bilproducenterne i køretøjets brugervejledning.

2 - Hvis du er i tvivl, skal du kontakte producenten af autostolen eller din forhandler.

ADVARSEL

Manglende overholdelse af disse advarsler og instruktioner kan medføre alvorlige kvæstelser eller dødsfald.

Når autostolen monteres **SKAL** du holde øje med at dens hårde genstande og plastdele ikke kan komme i klemme i et bevægeligt sæde eller i en køretøjets døre.

Brug **IKKE** en bagudvendt autostol på siddepladser, hvor der er en fremadvendt airbag.

For at bruge denne autostol i henhold til FN regulativ nr. 129, skal dit barn opfylde følgende krav.

Bagudvendt:
(Barnets højde 40-105cm/Barnets vægt ≤19kg)

Fremadvendt:
Barnets højde 76-105cm / Barnets vægt ≤19kg.

VIGTIGT - AUTOSTOLEN MÅ IKKE VENDRE FREMAD, FØR BARNET ER OVER 15 MÅNEDER (se vejledningerne)

Ethvert støtteben skal være i kontakt med køretøjets gulv, og alle seler der fastholder barnet, skal tilpasses barnets krop. Selerne må ikke vrides.

Sørg for, at alle skødestropper sidder lavt, så bækkenet sidder fast.

Hvis denne forstærket autostol udsættes for voldsomme belastninger i en ulykke, skal den skiftes. En ulykke kan forårsage skader, som ikke kan ses.

Vær opmærksom på faren ved at foretage ændringer eller tilføjelser til anordningen, uden godkendelse af den typegodkendende myndighed, og faren ved ikke at følge autostolens installationsvejledninger, der følger med produktet.

Denne forstærkede autostol skal holdes væk fra direkte sollys, da den ellers kan blive for varm for barnets hud. Mærk altid temperaturen efter med en hånd, inden du anbringer barnet i autostolen.

Barnet må ikke efterlades i autostolen uden opsyn.

Bagage eller andre genstande kan føre til skader i tilfælde af et sammenstød, og de skal derfor spændes ordentligt fast.

Autostolen passer muligvis ikke altid i alle positioner i godkendte køretøjer.

Autostolen må **IKKE** bruges uden de bløde dele.

De bløde dele må ikke erstattes med nogen andre dele, undtagen dele der anbefales af producenten, da de bløde dele er en integreret del af autostolens funktion.

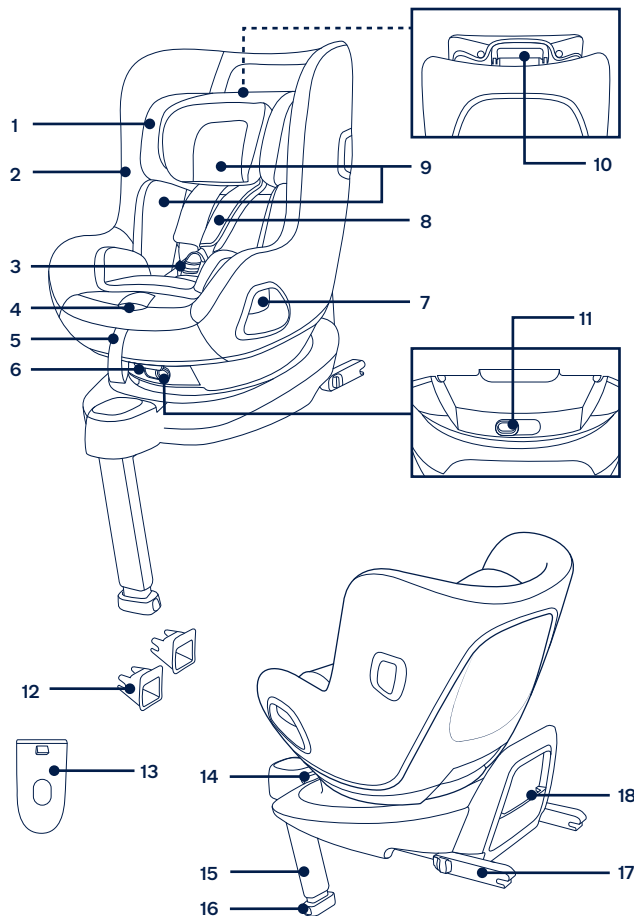
Instruktionerne skal opbevares i autostolen i hele dens levetid.

Du bedes også være opmærksom på instruktionerne og advarselserne i brugsvejledningen til bilen.

Liste over dele

Kontroller, at alle delene følger med, inden du begynder at samle produktet. Hvis der mangler nogen dele, bedes du venligst kontakte din lokale forhandler. Der skal ikke bruges værktøj til at samle produktet.

- | | | | |
|---|--------------------------------|----|-----------------------------------|
| 1 | Nakkestøtte | 10 | Justeringshåndtag til nakkestøtte |
| 2 | Sædepude | 11 | Hjulslås |
| 3 | Spænde | 12 | ISOFIX-styrebeslag |
| 4 | Justeringsknap til sele | 13 | Beskyttelsespod til sideskærm |
| 5 | Selejustering | 14 | ISOFIX-justeringsknap |
| 6 | Knap til justering af ryglænet | 15 | Støtteben |
| 7 | Knap til at dreje enheden | 16 | Justeringsknap til benstøtte |
| 8 | Skulderselebetræk | 17 | ISOFIX-spænde |
| 9 | Indlæg til spædbørn | 18 | Rum til brugsvejledning |



Samling af produktet

Monteringsproblemer

Denne autostol er kun beregnet til autosæder, der er udstyret med ISOFIX-spændepunkter. (1)

Brug **IKKE** en bagudvendt autostol på siddepladser, hvor der er en fremadvendt airbag. (2) Der er risiko for dødsfald eller alvorlige kvæstelser. Der henvises til brugsanvisningen til bilen for flere oplysninger.

Monter **IKKE** denne autostol på køretøjssæder, der vender sidelæns eller bagud i forhold til køreretningen.

Se brugsvejledningen til din bil vedrørende anbefalede eller foreslåede monteringsstillinger. (3)

Det anbefales at montere denne forstærkede autostol på bagsædet i bilen. (4)

Brug af produktet

Montering

- 1- Spænd ISOFIX-spænderne fast i køretøjets ISOFIX-spænder (se brugsvejledningen til køretøjet). (5) ISOFIX-styrebeslagene kan beskytte overfladen af køretøjets sæde imod slid. De kan også føre ISOFIX-spænderne.
- 2- Fold benstøtten ud fra opbevaringsrummet. (6)
- 3- Træk ISOFIX-spænderne ud ved, at trykke på ISOFIX-justeringsknappen, samtidig med at du trækker i spændet. (7)
- 4- Tryk på ISOFIX-justeringsknappen for at justere ISOFIX-spænderne. Sæt ISOFIX-spænderne mod ISOFIX-styrebeslagene, og tryk begge ISOFIX-spænderne ind i ISOFIX-spændepunkterne. (8)
 - ! Sørg for, at begge ISOFIX-spænderne er sikkert fastgjort til deres ISOFIX-spændepunkt. Du skal kunne høre 2 klik, og farven på indikatorerne på begge ISOFIX-spænderne skal være helt grøn. (8)-1
 - ! Kontroller, at bunden er monteret sikkert, ved at trække i begge ISOFIX-spænderne.

- 5- Når bunden er placeret på bilsædet, skal støttebenet trækkes mod bunden af køretøjet (9). Når støttebenet sidder rigtigt, er indikatorerne grønne. Hvis indikatoren er rød, sidder støttebenet forkert. (9)-2

Støttebenet har flere positioner. Når indikatoren for støttebenet viser rød, er det i den forkerte position.

- ! Sørg for, at støttebenet rører bundet helt i køretøjet.
- ! Tryk på frigivelsesknappen til støttebenet, og tryk det opad. (9)-1

Den færdigsamlede bund er vist i (10).

- ! ISOFIX-spænderne skal fastgøres og fastlåses til ISOFIX-spændepunkterne. (10)-1
 - ! Støttebenet skal installeres korrekt, så den grønne indikator vises. (10)-2
- 6- For at tage bunden af, skal du først trykke på den anden låseknap (11)-1 og tryk derefter på knappen (11)-2 på ISOFIX-spænderne, inden bunden tages af køresædet. (11)
 - 7- For at transportere produktet, skal du trykke på ISOFIX-justeringsknappen og sætte ISOFIX-spændet tilbage til opbevaringspositionen. (12)

Brug sideskærmen

- 1- Autostolen er udstyret med en aftagelig beskyttende sideskærm. Sideskærmen **SKAL** bruges på dørsiden i køretøjet. Montering er vist i (13).
- 2- Tryk på frigivelsesknappen for, at fjerne sideskærmen. (14)

Højdeindstilling

af nakkestøtte og skulderseler

Juster nakkestøtten og sørg for, at skulderselen er i den korrekte højde ifølge (15)-(18).

- ! Når autostolen bruges i bagudvendt stilling, skal højden på skulderselen passe med barnets skuldre. (15)
- ! Når autostolen bruges i fremadvendt stilling, skal højden på skulderselen passe med barnets skuldre. (16)

Træk i justeringshåndtaget til nakkestøtten ind (17), og træk nakkestøtten op eller ned, indtil den klikker sig fast i en af de 6 stillinger. Hovedstøttepositionerne er vist på billede (18).

Indstilling af ryglænet

- 1 - Tryk på knappen til justering af ryglænet, for at justere autostolen til den rigtige stilling. (19)
- 2 - Både bagudvendt og fremadvendt stilling har 5 tilbagelænet positioner, og de tilbagelænedede stillinger er vist i. (20)

Bagudvendt stilling

(Børnehøjde 40-105 cm/Børnevægt ≤19kg)

- ! Stil autostolen på bagsædet i køretøjet, og put derefter barnet i autostolen.
 - ! Drej låseknapen til højre, når autostolen bruges i bagudvendt stilling. (21)
- 1 - Hold ISOFIX-justeringsknappen nede, og tryk autostolen tilbage, indtil den rører ryglænet i køretøjet. (22)
 - 2 - Hold knappen nede for, at dreje autostolen, så barnet nemmere kan tages ud og puttes i stolen, og drej derefter autostolen til bagudvendt stilling. (23)
 - ! Tryk på knappen til at dreje autostolen på en af siderne, for at dreje autostolen.
 - ! Sørg altid for, at autostolen er låst (i bagudvendt/fremadvendt stilling), også selvom barnet ikke er i autostolen.
 - 3 - Tryk på selejusteringsknappen samtidig med at du trækker skulderselen ud til den ønskede længde (træk under de fastgjorte skulderpuder). (24)
 - 4 - Lås selespændet op ved at trykke på den røde knap. (25)
 - 5 - Placer spænderne mod det magnetiske område på ydersiden af autostolen, så spænderne holdes på plads. (26)

Brug indlægget til spædbørn



Vi anbefaler at bruge indlægget, mens barnet er under 60 cm og ≤13 kg. Det kan bruges, indtil de vokser ud af indsatsen.

Indlægget til spædbørn beskytter mere mod stød fra siden.

- 6 - Læg barnet i autostolen og før begge arme gennem selerne.
- 7 - Lås spændet. Se venligst (27).
- 8 - Drej autostolen til bagudvendt stilling. Indikatoren til autostolen er grøn. (28)
- 9 - Træk selejusteringen nedad, og juster selen til den ønskede længde, så dit barn er spændt ordentligt fast. (29)
 - ! Sørg altid for at barnet er spændt fast med selen, og at selen sidder ordentligt og ikke for løs.

Fremadvendt stilling

(Barnets højde skal være 76-105 cm/Barnets vægt skal være ≤19kg)
(Barnets alder skal være ≥ 15 måneder)

- ! Stil autostolen på bagsædet i køretøjet, og put derefter barnet i autostolen.
 - ! Drej låseknapen til venstre, når autostolen bruges i fremadvendt stilling. (30)
- 1 - Hold knappen nede for, at dreje autostolen, så barnet nemmere kan tages ud og puttes i stolen, og drej derefter autostolen til fremadvendt stilling. (31)(32)
 - ! Tryk på knappen til at dreje autostolen på en af siderne, for at dreje autostolen.
 - ! Sørg altid for, at autostolen er låst (i bagudvendt/fremadvendt stilling), også selvom barnet ikke er i autostolen.

- 2 - Tryk på selejusteringsknappen samtidig med at du trækker skulderselen ud til den ønskede længde (træk under de fastgjorte skulderpuder). (33)
- 3 - Lås selespændet op ved at trykke på den røde knap. (34)
 - ! Fjern indlægget til spædbørn, når booster-funktionen bruges.
- 4 - Placer spænderne mod det magnetiske område på ydersiden af autostolen, så spænderne holdes på plads. (35)
- 5 - Drej autostolen til fremadvendt stilling, hvorefter indikatoren viser en grøn farve. (36)
- 6 - Træk selejusteringen nedad, og juster selen til den ønskede længde, så dit barn er spændt ordentligt fast. (37)
 - ! Sørg altid for at barnet er spændt fast med selen, og at selen sidder ordentligt og ikke for løs.
 - ! Brug **IKKE** den fremadvendte stilling, medmindre dit barn er mindst 76 cm høj OG 15 måneder gammel.

Afmonter og samling af bløde varer

Tryk på den røde knap for at åbne låsebeslaget. (38)

Følg trinene (39) - (44) for, at tage de bløde dele af.

For at sætte de bløde dele på igen skal du gentage ovenstående trin i omvendt rækkefølge.

Rengøring og vedligeholdelse

Opbevar indlæg til spædbørn et sted uden for barnets rækkevidde.

De bløde dele skal vaskes i koldt vand under 30 °C.

De bløde dele må **IKKE** stryges.

De bløde dele må **IKKE** vaskes med blegemiddel eller kemiske rengøringsmidler.

Brug **IKKE** ufortyndede neutrale rengøringsmidler, rensebenzin eller andre organiske opløsningsmidler til at vaske autostolen. Det kan beskadige autostolen.

UNDGÅ at vride de bløde dele for meget, når de skal tørres. Det kan give de bløde dele folder.

De bløde dele skal hænges til tørre i skyggen.

Hvis den forstærkede babyautostol ikke skal bruges i længere tid, skal den tages ud af køretøjet.

IMPORTANT!
PĂSTRATI ACESTE
INSTRUCȚIUNI
PENTRU CONSULTARE
ULTERIOARĂ:
CITIȚI CU ATENȚIE

Cuprins

Informații referitoare la produs	241
Garanție	
Contact	
Cerințe de utilizare pentru copii	242
Avertisment	243
Lista componentelor	245
Instalarea produsului	247
Utilizarea produsului	247
Curățare și întreținere	252

Informații referitoare la produs

Numărul modelului: _____

Data fabricării: _____

Garanție

Produsele noastre de înaltă calitate au fost concepute pentru a putea crește împreună cu copilul și cu familia dvs. Pentru că avem încredere în produsele noastre, fiecare dintre acestea este acoperită de o garanție specifică, începând din ziua achiziției. Vă rugăm să vă asigurați că aveți la îndemână dovada de achiziție, numărul modelului și data fabricării atunci când ne contactați.

Pentru informații referitoare la garanție, vă rugăm să vizitați:

www.nunababy.com

Faceți clic pe linkul „Garanție” de pe pagina de pornire.

Contact

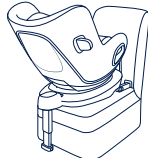
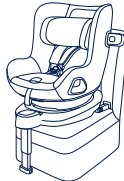
Pentru piese de schimb, intervenții de service sau întrebări suplimentare referitoare la garanție, vă rugăm să contactați departamentul nostru de asistență tehnică.


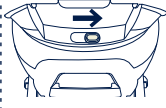
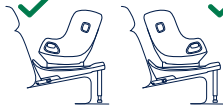
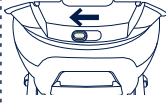
info@nunababy.com

www.nunababy.com

Cerințe de utilizare pentru copii

Produsul este adecvat pentru utilizarea în cazul copiilor care îndeplinesc următoarele cerințe:

Dimensiuni copil	Modul de instalare	Imagine instalare	Vârsta de referință	Poziția scaunului	Instrucțiuni privind inserția pentru copii
40 cm-105 cm/ ≤19kg	Modul de orientare cu spatele		< 4 ani	Poziția 1-5	Recomandăm utilizarea inserției complete pentru copii cu înălțimea sub 60 cm și ≤ 13 kg. Poate fi folosită până când copilul nu mai încapă. Inserția pentru copii crește protecția la impact lateral.
76 cm-105 cm/ ≤19kg	Modul cu fața înainte		15 luni până la aproximativ 4 ani	Poziția 1-5	Îndepărtați inserția pentru sugari în modul orientat înainte.

Vârsta copilului	Modul de instalare	Instalarea	Blocare pivotare
<15 luni	Modul de orientare cu spatele		
>15 luni	Modul de orientare spre spate/față		

- Acesta este un sistem de siguranță îmbunătățit pentru copii „i-Size”. Acesta este omologat în temeiul regulamentului ONU nr. 129 pentru utilizare în poziții așezate într-un vehicul compatibil i-Size, astfel cum este indicat de către producătorul vehiculului în manualul utilizatorului vehiculului.
- În caz de nelămuriri, consultați fabricantul sau vânzătorul sistemului de siguranță îmbunătățit pentru copii.

AVERTISMENT

Nerespectarea acestor avertismente și instrucțiuni poate cauza vătămări corporale grave sau moartea.

AVEȚI GRIJĂ ca articolele rigide și componentele din plastic ale sistemului de siguranță să fie amplasate și instalate astfel încât să nu poată fi prinse de un scaun mobil sau de o ușă a vehiculului.

NU utilizați sistemele de siguranță îmbunătățite pentru copii orientate în spate în raport cu direcția de deplasare a vehiculului în poziții de ședere în care este instalat un airbag frontal.

Pentru a utiliza acest sistem de siguranță îmbunătățit pentru copii în conformitate cu Regulamentul ONU Nr. 129, copilul trebuie să îndeplinească următoarele cerințe.

Cu fața înapoi:
(Înălțimea cuprinsă între 40 cm - 105 cm/greutatea ≤19kg)

Cu fața înainte:
(Înălțimea cuprinsă între 76cm - 105 cm/greutatea ≤19kg)

IMPORTANT - NU UTILIZAȚI SCAUNUL CU FAȚA ÎNAINTE PENTRU COPII CU VÂRSTE MAI MICI DE 15 luni (Consultați instrucțiunile).

Picioarele de susținere trebuie să fie în contact cu podeaua vehiculului, iar centurile de fixare a copilului trebuie să fie ajustate în funcție de greutatea și înălțimea copilului. Curelele nu trebuie să fie răsucite.

Asigurați-vă că orice cureauă pentru genunchi este plasată jos, astfel încât pelvisul să fie cuplat ferm, fixat.

Dispozitivul trebuie să fie schimbat dacă a fost supus unor tensiuni violente în caz de accident. Un accident poate cauza daune pe care nu le puteți vedea.

Luăți în considerare pericolul de a face modificări sau adăugări la dispozitiv fără aprobarea autorității competente, cât și pericolul de a nu urmări îndeaproape instrucțiunile de instalare furnizate de producătorul sistemului de siguranță îmbunătățit pentru copii.

Păstrați acest sistem de siguranță îmbunătățit pentru copii departe de lumina soarelui, în caz contrar poate fi prea fierbinte pentru pielea copilului. Atingeți întotdeauna sistemul de siguranță îmbunătățit pentru copii înainte de a pune copilul în acesta.

Copiii nu trebuie lăsați nesupravegheați în sistemul de siguranță îmbunătățit.

Orice bagaje sau alte obiecte care ar putea cauza răni în cazul unui accident trebuie fixate corespunzător.

Este posibil ca sistemul de siguranță pentru copii să nu se potrivească în toate vehiculele autorizate atunci când este utilizat în una dintre aceste poziții.

Sistemul îmbunătățit de siguranță pentru copii **NU TREBUIE** utilizat fără componentele moi.

Componentele moi nu trebuie să fie înlocuite decât cu cele recomandate de producător, deoarece componentele moi sunt parte integrantă a performanței sistemului de fixare.

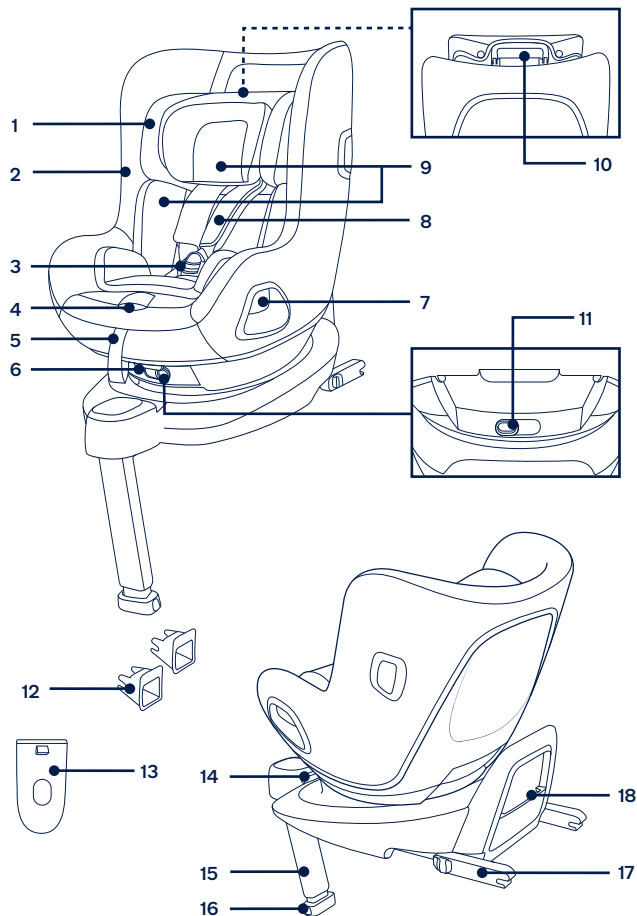
Instrucțiunile trebuie păstrate împreună cu sistemul de siguranță de-a lungul întregii sale durate de viață.

De asemenea, acordați atenție instrucțiunilor și avertismentelor din manualul producătorului vehiculului.

Lista componentelor

Înainte de montare, asigurați-vă că aveți toate componentele. Dacă lipsește o componentă, vă rugăm să contactați distribuitorul local. Montajul nu necesită niciun fel de scule.

- | | | | |
|----|---|----|---|
| 1 | Support pentru cap | 11 | Blocare pivotare |
| 2 | Căptușeală scaun | 12 | Ghidaje ISOFIX |
| 3 | Cataramă | 13 | Capsulă de protecție la impact lateral |
| 4 | Buton de reglare a chingilor | 14 | Buton de reglare ISOFIX |
| 5 | Chingă de reglaj | 15 | Picior de fixare |
| 6 | Buton de reglare a înclinării | 16 | Buton de reglaj picior de fixare |
| 7 | Buton rotație | 17 | Conector ISOFIX |
| 8 | Perne pentru hamul de umăr | 18 | Compartimentul de depozitare a manualului de instrucțiuni |
| 9 | Insertie pentru sugari | | |
| 10 | Manetă de reglare a suportului pentru cap | | |



Instalarea produsului

Aspecte referitoare la montaj

Acest sistem de siguranță îmbunătățit pentru copii este adecvat numai pentru scaunele vehiculului cu bare de ancorare ISOFIX. (1)

NU utilizați sistemele de siguranță îmbunătățite pentru copii orientate în spate în raport cu direcția de deplasare a vehiculului în poziții de ședere în care este instalat un airbag frontal. (2) Aceasta poate cauza decesul sau vătămarea gravă. Consultați manualul de utilizare al vehiculului pentru mai multe informații.

NU instalați acest sistem de siguranță îmbunătățit pentru copii pe scaunele vehiculului care sunt orientate în lateral sau în spate în raport cu direcția de deplasare a vehiculului.

Consultați manualul utilizatorului vehiculului dvs. pentru informații referitoare la pozițiile de montaj recomandate sau sugerate. (3)

Se recomandă instalarea acestui sistem de siguranță îmbunătățit pentru copii pe scaunul din spate al vehiculului. (4)

Utilizarea produsului

Instalarea

- 1 - Atașați ghidurile ISOFIX de barele de ancorare ISOFIX ale vehiculului (consultați manualul de utilizare al vehiculului). (5) Ghidajele ISOFIX pot proteja suprafața scaunului împotriva ruperii. Acestea pot ghida, de asemenea, conectorii ISOFIX.
- 2 - Desfaceți piciorul de suport din compartimentul de depozitare. (6)
- 3 - Extindeți conectorii ISOFIX apăsând butonul de eliberare ISOFIX în timp ce trageți de conector (7)
- 4 - Apăsați pe butonul de ajustare ISOFIX pentru a regla conectorii ISOFIX. Aliniați conectorii ISOFIX cu ghidajele ISOFIX și apoi faceți clic pe ambii conectori ISOFIX în barele de ancorare ISOFIX. (8)

! Asigurați-vă că ambii conectori ISOFIX sunt atașați în siguranță de barele de ancorare ISOFIX. Ar trebui să existe două clicuri sonore, iar culorile indicatorilor de pe ambii conectori ISOFIX trebuie să fie complet verzi. (8)-1

! Verificați pentru a vă asigura că baza este bine instalată trăgând ambii conectori ISOFIX.

- 5 - După ce așezați baza pe scaunul vehiculului, extindeți piciorul de fixare pe podea (9). Dacă piciorul de încărcare este instalat corect, indicatorul piciorului de încărcare va fi verde. Indicatorul va fi afișat cu roșu atunci când este piciorul este instalat incorect. (9)-2

Piciorul de fixare are mai multe poziții. Atunci când indicatorul piciorului de fixare arată roșu, aceasta înseamnă că piciorul de fixare este în poziția greșită.

! Asigurați-vă că piciorul de fixare este în contact complet cu podeaua vehiculului.

! Strângeți butonul de reglare a piciorului de fixare, apoi scurtați piciorul de fixare în sus. (9)-1

Baza asamblată complet este indicată ca (10)

! Conectorii ISOFIX trebuie atașați și blocați pe barele de ancorare ISOFIX. (10)-1

! Piciorul de fixare trebuie instalat corect cu indicatorul verde. (10)-2

- 6 - Pentru a scoate baza, apăsați mai întâi butonul secundar de blocare (11)-1 și apoi pe butonul (11)-2 de pe conectorii ISOFIX înainte de a scoate baza de pe scaunul vehiculului. (11)
- 7 - Pentru transport, apăsați butonul de reglare ISOFIX și mutați înapoi conectorii ISOFIX înapoi în poziția de stocare. (12)

Utilizați scutul de impact lateral

- 1 - Sistemul de siguranță îmbunătățit pentru copii este livrat cu un scut de impact lateral detașabil. Scutul de impact lateral **TREBUIE** utilizat pe ușa vehiculului pentru o protecție optimă. Instalarea prezentată în (13)
- 2 - Apăsați butonul de eliberare pentru a îndepărta capsula de impact lateral. (14)

Reglarea înălțimii

pentru suportul pentru cap și hamurile de umăr

Reglați suportul pentru cap și verificați dacă hamurile de umăr se află la înălțimea corectă, conform (15)-(18).

! Atunci când sunt utilizate în modul orientat spre spate, fantele hamurilor pentru umeri trebuie să fie chiar la nivel sau imediat sub umerii copilului. (15)

- ! Atunci când sunt utilizate în modul orientat în față, fantele hamurilor pentru umeri trebuie să fie chiar la nivelul părții de sus a umerilor copilului. (16)

Trageți de maneta de reglare a suportului pentru cap (17), în timp ce ridicați sau coborâți suportul până când se fixează într-una dintre cele 6 poziții. Pozițiile suportului pentru cap sunt marcate cu (18).

Reglarea înclinării

- 1 - Strângeți mânerul de reglare a înclinării pentru a regla sistemul de siguranță pentru copii în poziția corectă. (19)
- 2 - Atât modul orientat înapoi, cât și modul orientat înainte au 5 poziții de înclinare, unghiurile de înclinare sunt prezentate. (20)

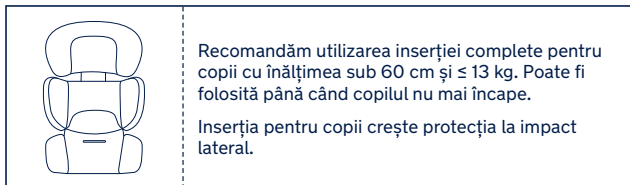
Modul de orientare cu spatele

(Înălțimea cuprinsă între 40 cm - 105 cm/greutatea ≤19kg)

- ! Instalați sistemul îmbunătățit de siguranță pentru copii pe scaunul din spate al vehiculului, apoi puneți copilul în sistemul îmbunătățit de siguranță pentru copii.
 - ! Glisați dispozitivul de blocare a pivotării spre dreapta când utilizați sistemul de siguranță îmbunătățit pentru copii în modul orientat spre spate. (21)
- 1 - Apăsăți și mențineți apăsat butonul de reglare ISOFIX și împingeți sistemul de siguranță îmbunătățit pentru copii înapoi până când intră în contact cu spătarul scaunului vehiculului. (22)
 - 2 - Apăsăți și țineți apăsat butonul de rotație pentru a roti scaunul pentru o încărcare/descărcare laterală mai ușoară a copilului, apoi rotiți scaunul în poziția orientată spre spate. (23)
 - ! Apăsăți butonul de rotație de pe ambele părți pentru a roti scaunul îmbunătățit de siguranță pentru copii.
 - ! Asigurați-vă întotdeauna că sistemul de siguranță pentru copii se află în poziția de blocare (orientat spre spate/față) chiar și atunci când copilul nu se află în el.
 - 3 - Apăsăți butonul de reglaj al hamului, în timp ce trageți hamurile pentru umăr până la lungimea dorită (trageți de sub pernele pentru umăr pentru a lungi). (24)
 - 4 - Deblocați catarama hamurilor apăsând butonul roșu. (25)

- 5 - Așezați limbile cataramelor pe zona magnetică de pe partea exterioară a sistemului de siguranță pentru copii, astfel încât acestea să fie fixate. (26)

Folosirea inserției pentru copii



- 6 - Așezați copilul în sistemul de siguranță îmbunătățit pentru copii și treceți ambele brațe ale copilului prin hamuri.
- 7 - Cuplați catarama. Consultați (27).
- 8 - Rotiți scaunul pentru copii îmbunătățit înspre spate. Indicatorul sistemului de siguranță îmbunătățit pentru copii va fi verde. (28)
- 9 - Trageți în jos husa de reglare și reglați hamul astfel încât copilul să fie fixat. (29)
- ! Mențineți întotdeauna copilul fixat în ham și strâns în mod corespunzător prin reglarea tensiunii hamurilor.

Modul cu față înainte

(Înălțimea copilului 76 cm-105 cm/Greutatea copilului ≤19kg)
(Vârsta copilului ≥ 15 luni)

- ! Instalați sistemul îmbunătățit de siguranță pentru copii pe scaunul din spate al vehiculului, apoi puneți copilul în sistemul îmbunătățit de siguranță pentru copii.
 - ! Glisați dispozitivul de blocare a pivotării spre stânga când utilizați sistemul de siguranță îmbunătățit pentru copii în modul orientat spre față. (30)
- 1 - Apăsăți și mențineți apăsat butonul de rotație pentru a roti scaunul, pentru a facilita încărcarea/descărcarea laterală a copilului, apoi rotiți scaunul în poziția orientată spre față. (31)(32)

- ! Apăsăți butonul de rotație de pe ambele părți pentru a roti scaunul îmbunătățit de siguranță pentru copii.
- ! Asigurați-vă întotdeauna că sistemul de siguranță pentru copii se află în poziția de blocare (orientat spre spate/față) chiar și atunci când copilul nu se află în el.
- 2 - Apăsăți butonul de reglaj al hamului, în timp ce trageți hamurile pentru umăr până la lungimea dorită (trageți de sub pernele pentru umăr pentru a lungi). (33)
- 3 - Deblocați catarama hamurilor apăsând butonul roșu. (34)
- ! Scoateți inserția pentru sugari când scaunul este în modul orientat înainte.
- 4 - Așezați limbile cataramelor pe zona magnetică de pe partea exterioară a sistemului de siguranță pentru copii, astfel încât acestea să fie fixate. (35)
- 5 - Rotiți sistemul de siguranță pentru copii îmbunătățit spre înainte, indicatorul sistemului de siguranță îmbunătățit pentru copii va fi verde. (36)
- 6 - Trageți în jos husa de reglare și reglați hamul astfel încât copilul să fie fixat. (37)
- ! Mențineți întotdeauna copilul fixat în ham și strâns în mod corespunzător prin reglarea tensiunii hamurilor.
- ! **NU** folosiți orientarea spre înainte, cu excepția cazului în care copilul dvs. are înălțimea de cel puțin 76 cm și vârsta de 15 luni.

Demontarea și asamblarea părților moi

Apăsăți butonul de culoare roșie pentru a decupla catarama. (38)

Urmați pașii (39) - (44) pentru a detașa componentele moi.

Pentru a reatașa componentele moi, repetați pașii de mai sus în ordine inversă.

Curățare și întreținere

Păstrați inserția pentru sugari departe de îndemâna copilului.

Spălați componentele moi cu apă rece sub 30 °C.

NU călcați componentele moi.

NU înălbiți sau nu curățați chimic componentele moi.

NU utilizați detergenți neutri nediluți, benzină sau alți solvenți organici pentru a spăla sistemul de siguranță îmbunătățit pentru copii. Poate cauza deteriorarea sistemului de siguranță îmbunătățit pentru copii.

NU răsuciți componentele moi pentru a le usca cu forță mare. Acesta poate lăsa cute în componentele moi.

Vă rugăm să atârnați la umbră componentele moi.

Îndepărtați sistemul de siguranță îmbunătățit pentru copii de pe scaunul vehiculului dacă nu îl folosiți pentru o perioadă lungă de timp.

ΣΗΜΑΝΤΙΚΟ!
ΦΥΛΑΞΤΕ ΑΥΤΕΣ
ΤΙΣ ΟΔΗΓΙΕΣ ΓΙΑ
ΜΕΛΛΟΝΤΙΚΗ ΧΡΗΣΗ:
ΔΙΑΒΑΣΤΕ
ΠΡΟΣΕΚΤΙΚΑ

Περιεχόμενα

Πληροφορίες για το προϊόν	255
Εγγύηση	
Επικοινωνία	
Απαιτήσεις χρήσης	256
Προειδοποίηση	257
Κατάλογος εξαρτημάτων	259
Προετοιμασία προϊόντος	261
Χρήση προϊόντος	261
Καθαρισμός και συντήρηση	266

Πληροφορίες για το προϊόν

Αριθμός μοντέλου: _____

Ημερομηνία κατασκευής: _____

Εγγύηση

Σχεδιάζουμε τα υψηλής ποιότητας προϊόντα μας με σκοπό να μπορούν να αναπτυχθούν μαζί με το παιδί σας και την οικογένειά σας. Επειδή προσφέρουμε υποστήριξη, τα προϊόντα μας καλύπτονται από μια προσαρμοσμένη εγγύηση ανά προϊόν, η οποία ξεκινά από την ημέρα αγοράς. Παρακαλείστε να έχετε διαθέσιμα την απόδειξη αγοράς, τον αριθμό μοντέλου και την ημερομηνία κατασκευής, όταν επικοινωνείτε μαζί μας.

Για πληροφορίες σχετικά με την εγγύηση, επισκεφθείτε τη διεύθυνση: www.nunababy.com

Κάντε κλικ στον σύνδεσμο “Εγγύηση” στην αρχική σελίδα.

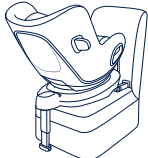
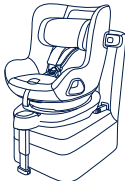
Επικοινωνία

Για τα ανταλλακτικά, επισκευές ή πρόσθετες ερωτήσεις εγγύησης, επικοινωνήστε με το τμήμα εξυπηρέτησης πελατών μας.

info@nunababy.com
www.nunababy.com

Απαιτήσεις χρήσης

Το προϊόν είναι κατάλληλο για χρήση με παιδιά που πληρούν τις ακόλουθες απαιτήσεις:

Μέγεθος παιδιού	Τρόπος εγκατάστασης	Εικόνα εγκατάστασης	Ηλικία αναφοράς	Θέση καθίσματος	Οδηγίες ενθέματος βρέφους
40cm-105cm ≤ 19 κιλά	Κάθισμα στραμμένο προς τα πίσω		< 4 έτη	Θέση 1-5	Συνιστούμε τη χρήση του πλήρους ενθέματος βρέφους για όσο χρόνο το μωρό είναι κάτω από 60 εκ. και έως 13 κιλά. Μπορεί να χρησιμοποιηθεί έως ότου το παιδί ξεπεράσει το μέγεθος του ενθέματος. Το ένθεμα βρέφους αυξάνει την προστασία πλευρικής σύγκρουσης.
76cm-105cm ≤ 19 κιλά	Κάθισμα στραμμένο προς τα εμπρός		15 μηνών έως 4 ετών	Θέση 1-5	Αφαιρέστε το ένθεμα βρέφους όταν το ενισχυμένο παιδικό κάθισμα ασφαλείας χρησιμοποιείται με το παιδί να κοιτάζει προς τα εμπρός.

Ηλικία παιδιού	Τρόπος εγκατάστασης	Εγκατάσταση	Ασφάλεια περιστροφής
< 15 μηνών	Κάθισμα στραμμένο προς τα πίσω		
> 15 μηνών	Κάθισμα στραμμένο προς τα πίσω/μπροστά		

- 1 - Το προϊόν αποτελεί ενισχυμένο σύστημα συγκράτησης μεγέθους i-Size. Έχει εγκριθεί από τον Κανονισμό 129, για χρήση σε θέσεις καθίσματος οχημάτων συμβατές με i-Size, όπως υποδηλώνεται από τους κατασκευαστές του οχήματος στο εγχειρίδιο χρήστη του οχήματος.
- 2 - Σε περίπτωση αμφιβολίας, συμβουλευτείτε είτε τον κατασκευαστή του παιδικού καθίσματος ασφαλείας ή τον λιανοπωλητή.

⚠️ ΠΡΟΕΙΔΟΠΟΙΗΣΗ

Σε περίπτωση που δεν ακολουθήσετε αυτές τις προειδοποιήσεις και οδηγίες, αυτό μπορεί να έχει ως αποτέλεσμα σοβαρό τραυματισμό ή ακόμη και θάνατο.

ΦΡΟΝΤΙΣΤΕ ώστε τα άκαμπτα αντικείμενα και τα πλαστικά μέρη του ενισχυμένου συστήματος συγκράτησης να τοποθετηθούν και να εγκατασταθούν με τρόπο που να μην είναι δυνατόν να παγιδευτούν από ένα κινούμενο κάθισμα ή την πόρτα του οχήματος.

ΜΗΝ χρησιμοποιείτε το ενισχυμένο σύστημα συγκράτησης στραμμένο προς τα πίσω σε καθίσματα όπου υπάρχει ενεργός μπροστινός αερόσακος.

Για να χρησιμοποιήσετε αυτό το παιδικό κάθισμα ασφαλείας σύμφωνα με τον Κανονισμό 129 του ΟΗΕ, το παιδί σας θα πρέπει να πληροί τις ακόλουθες προϋποθέσεις.

Κάθισμα στραμμένο προς τα πίσω:
Ύψος παιδιού 40-105 εκ. / Βάρος παιδιού ≤ 19 κιλά.

Κάθισμα στραμμένο προς τα εμπρός:
Ύψος παιδιού 76-105 εκ. / Βάρος παιδιού ≤ 19 κιλά.

ΣΗΜΑΝΤΙΚΟ - ΜΗΝ ΤΟΠΟΘΕΤΕΙΤΕ ΤΟ ΠΑΙΔΙ ΜΕ ΤΟ ΚΑΘΙΣΜΑ ΣΤΡΑΜΜΕΝΟ ΠΡΟΣ ΤΑ ΕΜΠΡΟΣ ΠΡΟΤΟΥ ΓΙΝΕΙ 15 ΜΗΝΩΝ (Ανατρέξτε στις οδηγίες)

Κάθε σκέλος στήριξης πρέπει να είναι σε επαφή με το δάπεδο του οχήματος και οι ιμάντες που συγκρατούν το παιδί πρέπει να προσαρμόζονται στο σώμα του παιδιού. Οι ιμάντες δεν πρέπει να είναι συστραμμένοι.

Βεβαιωθείτε ότι κάθε ιμάντας μέσης φοριέται χαμηλά, έτσι ώστε η λεκάνη να συγκρατείται σταθερά σε περίπτωση καταπόνησης.

Αυτό το ενισχυμένο κάθισμα πρέπει να αντικαθίσταται αν έχει υποστεί έντονη καταπόνηση σε περίπτωση ατυχήματος. Ένα ατύχημα μπορεί να προκαλέσει βλάβη που δεν μπορείτε να δείτε.

Αναλογιστείτε τους κινδύνους τυχόν τροποποιήσεων ή προσθηκών στο κάθισμα χωρίς την έγκριση της αρμόδιας αρχής, καθώς και τον κίνδυνο της μη τήρησης των οδηγιών εγκατάστασης που παρέχονται από τον κατασκευαστή του καθίσματος ασφαλείας.

Προστατέψτε το ενισχυμένο παιδικό κάθισμα ασφαλείας από άμεσο ηλιακό φως, διαφορετικά ενδέχεται να είναι πολύ ζεστό για την επιδερμίδα του παιδιού. Ελέγχετε πάντα τη θερμοκρασία του καθίσματος προτού τοποθετήσετε το παιδί μέσα σε αυτό.

Μην αφήνετε το παιδί χωρίς επίβλεψη στο ενισχυμένο σύστημα συγκράτησης.

Τυχόν αποσκευές ή άλλα αντικείμενα που μπορούν να προκαλέσουν τραυματισμούς σε περίπτωση σύγκρουσης, θα πρέπει να ασφαλίζονται κατάλληλα.

Το ενισχυμένο παιδικό κάθισμα ασφαλείας μπορεί να μην ταιριάζει σε όλα τα εγκεκριμένα οχήματα όταν χρησιμοποιείται σε μία από αυτές τις θέσεις.

Το ενισχυμένο σύστημα συγκράτησης **ΔΕΝ ΠΡΕΠΕΙ ΝΑ ΧΡΗΣΙΜΟΠΟΙΕΙΤΑΙ** χωρίς τα υφασμάτινα στοιχεία.

Τα υφασμάτινα στοιχεία δεν πρέπει να αντικαθίστανται από οποιαδήποτε άλλα, εκτός από εκείνα που προτείνονται από τον κατασκευαστή, καθώς τα υφασμάτινα στοιχεία αποτελούν αναπόσπαστο μέρος της απόδοσης του παιδικού καθίσματος ασφαλείας.

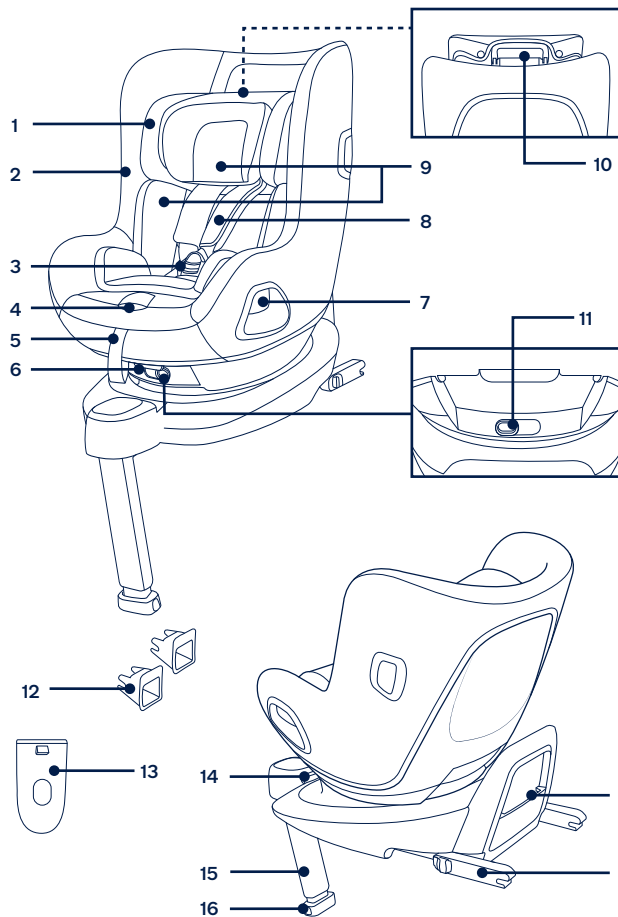
Οι οδηγίες πρέπει να διατηρούνται στο ενισχυμένο παιδικό κάθισμα ασφαλείας καθ' όλη τη διάρκεια της χρήσης του.

Δώστε βάση στις οδηγίες και στις προειδοποιήσεις του εγχειριδίου του κατασκευαστή του οχήματος.

Κατάλογος εξαρτημάτων

Πριν από τη συναρμολόγηση βεβαιωθείτε ότι όλα τα εξαρτήματα είναι διαθέσιμα. Εάν λείπει οποιοδήποτε εξάρτημα, παρακαλούμε επικοινωνήστε με το κατάστημα λιανικής πώλησης. Δεν απαιτούνται εργαλεία για τη συναρμολόγηση.

- | | | | |
|----|--------------------------------------|----|---|
| 1 | Στήριγμα κεφαλιού | 11 | Ασφάλεια περιστροφής |
| 2 | Μαξιλάρι καθίσματος | 12 | Οδηγοί ISOFIX |
| 3 | Πόρπη | 13 | Προστασία πλευρικής σύγκρουσης |
| 4 | Κουμπί ρύθμισης καλύμματος | 14 | Κουμπί ρύθμισης ISOFIX |
| 5 | Ιμάντας ρύθμισης | 15 | Σκέλος φορτίου |
| 6 | Κουμπί ρύθμισης ανάκλισης | 16 | Κουμπί ρύθμισης σκέλους φορτίου |
| 7 | Κουμπί περιστροφής | 17 | Σύνδεσμος ISOFIX |
| 8 | Καλύμματα ιμάντα ώμου | 18 | Αποθηκευτικός θάλαμος εγχειριδίου οδηγίων |
| 9 | Ένθεμα βρέφους | | |
| 10 | Μοχλός ρύθμισης στηρίγματος κεφαλιού | | |



Προετοιμασία προϊόντος

Πληροφορίες εγκατάστασης

Το συγκεκριμένο ενισχυμένο σύστημα συγκράτησης είναι κατάλληλο για καθίσματα οχημάτων με σημεία αγκύρωσης ISOFIX. (1)

MHN χρησιμοποιείτε το ενισχυμένο σύστημα συγκράτησης στραμμένο προς τα πίσω σε καθίσματα όπου υπάρχει ενεργός μπροστινός αερόσακος. (2) Ενόχεται να προκληθεί θάνατος ή σοβαρός τραυματισμός. Για περισσότερες πληροφορίες, ανατρέξτε στο εγχειρίδιο ιδιοκτήτη του οχήματος.

MHN εγκαταστήστε το συγκεκριμένο ενισχυμένο σύστημα συγκράτησης σε καθίσματα οχημάτων που κοιτούν στο πλάι ή πίσω αναφορικά με την κατεύθυνση κίνησης του οχήματος.

Ανατρέξτε στο εγχειρίδιο του ιδιοκτήτη του οχήματος για τις προτεινόμενες θέσεις τοποθέτησης. (3)

Προτείνεται η εγκατάσταση του συγκεκριμένου παιδικού καθίσματος ασφαλείας στα πίσω καθίσματα οχημάτων. (4)

Χρήση προϊόντος

Εγκατάσταση

- 1- Προσαρτήστε τους οδηγούς ISOFIX στις μπάρες αγκύρωσης ISOFIX του οχήματος (ανατρέξτε στο εγχειρίδιο χρήσης του οχήματος). (5) Οι οδηγοί ISOFIX μπορούν να προστατεύσουν την επιφάνεια του καθίσματος του οχήματος από σχισίματα. Μπορούν επίσης να καθοδηγήσουν τους συνδέσμους ISOFIX.
- 2- Ξεδιπλώστε το σκέλος φορτίου από το θάλαμο αποθήκευσης. (6)
- 3- Επεκτείνετε τους συνδέσμους ISOFIX πιέζοντας το κουμπί ρύθμισης ISOFIX και τραβώντας ταυτόχρονα τον σύνδεσμο. (7)
- 4- Πατήστε το κουμπί ρύθμισης του συστήματος ISOFIX για να ρυθμίσετε τους συνδέσμους ISOFIX. Ευθυγραμμίστε τους συνδέσμους ISOFIX με τους οδηγούς ISOFIX και στη συνέχεια κουμπώστε και τους δύο συνδέσμους ISOFIX στις μπάρες αγκύρωσης ISOFIX. (8)
- ! Βεβαιωθείτε ότι αμφότεροι οι σύνδεσμοι ISOFIX έχουν προσαρτηθεί σωστά στις μπάρες αγκύρωσης ISOFIX. Πρέπει να ακουστούν δύο ήχοι κλικ και τα χρώματα των δεικτών στους δύο συνδέσμους ISOFIX πρέπει να είναι τελειώς πράσινα. (8)-1

! Ελέγξτε για να βεβαιωθείτε ότι η βάση έχει εγκατασταθεί με ασφάλεια, τραβώντας και τους δυο συνδέσμους ISOFIX προς τα επάνω.

- 5- Αφού τοποθετήσετε τη βάση στο κάθισμα του οχήματος, επεκτείνετε το σκέλος φορτίου στο δάπεδο (9). Όταν το σκέλος φορτίου έχει εγκατασταθεί σωστά, ο δείκτης σκέλους φορτίου είναι πράσινος. Εάν έχει εγκατασταθεί λανθασμένα, ο δείκτης είναι κόκκινος. (9)-2

Το σκέλος φορτίου έχει πολλές θέσεις. Όταν ο δείκτης του σκέλους φορτίου δείχνει κόκκινο αυτό σημαίνει πως το σκέλος φορτίου βρίσκεται σε λάθος θέση.

! Βεβαιωθείτε ότι το σκέλος φορτίου έρχεται σε πλήρη επαφή με το δάπεδο του οχήματος.

! Συμπιέστε το κουμπί ρύθμισης σκέλους φορτίου, στη συνέχεια μικρώνετε το σκέλος φορτίου προς τα πάνω. (9)-1

Η πλήρως συναρμολογημένη βάση εμφανίζεται στην Εικ. (10)

! Οι σύνδεσμοι ISOFIX πρέπει να έχουν προσαρτηθεί και ασφαλιστεί στις μπάρες αγκύρωσης ISOFIX. (10)-1

! Το σκέλος φορτίου πρέπει να εγκατασταθεί σωστά με τον πράσινο δείκτη. (10)-2

- 6- Για να αφαιρέσετε τη βάση, πατήστε πρώτα το βοηθητικό κουμπί κλειδώματος (11)-1 και, στη συνέχεια, το κουμπί (11)-2 στους συνδέσμους ISOFIX προτού αφαιρέσετε τη βάση από το κάθισμα του οχήματος. (11)
- 7- Για εύκολη μεταφορά, πατήστε το κουμπί ρύθμισης του συστήματος ISOFIX και μετακινήστε τους συνδέσμους ISOFIX στη θέση αποθήκευσης. (12)

Χρήση προστασίας από πλευρική σύγκρουση

- 1- Το ενισχυμένο παιδικό κάθισμα ασφαλείας παρέχεται με αφαιρούμενη προστασία από πλευρική σύγκρουση. Αυτή η θωράκιση πλευρικής σύγκρουσης **ΠΡΕΠΕΙ** να εγκαθίσταται στην πλευρά της πόρτας του οχήματος. Η εγκατάσταση παρουσιάζεται στην Εικ. (13)
- 2- Πιέστε το κουμπί αποδέσμευσης για να αφαιρέσετε τη θωράκιση πλευρικής σύγκρουσης. (14)

Ρύθμιση ύψους

για Υποστήριξη κεφαλής και ιμάντες ώμων

Ρυθμίστε το στήριγμα κεφαλιού και ελέγξτε εάν οι ιμάντες ώμου βρίσκονται στο σωστό ύψος σύμφωνα με τις εικόνες (15)-(18).

! Όταν χρησιμοποιείται σε θέση όπου το παιδί κοιτάζει προς τα πίσω, το ύψος των ιμάντων ώμων πρέπει να είναι στο ίδιο επίπεδο ή λίγο πιο χαμηλά από τους ώμους του παιδιού. (15)

! Όταν χρησιμοποιείται σε θέση όπου το παιδί κοιτάζει προς τα εμπρός, το ύψος των ιμάντων ώμων πρέπει να είναι στο ίδιο επίπεδο με τους ώμους του παιδιού. (16)

Πίστετε το μοχλό ρύθμισης του στηρίγματος κεφαλιού (17), σηκώνοντας ταυτόχρονα προς τα πάνω ή σπρώχνοντας προς τα κάτω το στήριγμα κεφαλιού μέχρι αυτό να κουμπώσει σε μία από τις 6 θέσεις. Οι θέσεις υποστήριξης κεφαλής εμφανίζονται στην εικόνα (18).

Ρύθμιση ανάκλισης

- 1- Πατήστε το κουμπί ρύθμισης ανάκλισης για να προσαρμόσετε το ενισχυμένο παιδικό κάθισμα ασφαλείας στην κατάλληλη θέση. (19)
- 2- Το κάθισμα διαθέτει 5 θέσεις ανάκλισης όταν τοποθετείται στραμμένο προς τα εμπρός ή προς τα πίσω. Οι γωνίες κλίσης εμφανίζονται στην Εικ. (20)

Κάθισμα στραμμένο προς τα πίσω

(Ύψος παιδιού 40-105 εκ. / Βάρος παιδιού ≤19 κιλά)

- ! Εγκαταστήστε το ενισχυμένο παιδικό κάθισμα ασφαλείας στο πίσω κάθισμα του οχήματος και, έπειτα, τοποθετήστε το παιδί στο παιδικό κάθισμα ασφαλείας.
- ! Σύρετε την ασφάλεια περιστροφής προς τα δεξιά όταν χρησιμοποιείτε το παιδικό κάθισμα ασφαλείας στραμμένο προς τα πίσω. (21)
- 1- Πατήστε το κουμπί ρύθμισης του συστήματος ISOFIX και πιέστε το ενισχυμένο σύστημα συγκράτησης προς τα πίσω ώστε να ακουμπήσει στην πλάτη του καθίσματος του οχήματος. (22)
- 2- Πατήστε και κρατήστε πατημένο το κουμπί περιστροφής για περιστροφή για ευκολότερη πλευρική τοποθέτηση/απομάκρυνση του παιδιού και, στη συνέχεια, περιστρέψτε το κάθισμα στη θέση όπου το παιδί κοιτάζει προς τα πίσω. (23)

! Πατήστε το κουμπί περιστροφής σε κάθε πλευρά για να περιστρέψετε το ενισχυμένο παιδικό κάθισμα ασφαλείας.

! Να βεβαιώνετε πάντα ότι το κάθισμα ασφαλείας βρίσκεται στη θέση ασφάλισης (στραμμένο προς τα πίσω/μπροστά), ακόμα και όταν το παιδί δεν κάθεται στο κάθισμα.

- 3- Πατήστε το κουμπί ρύθμισης του ιμάντα, ενώ τραβάτε τους ιμάντες ώμων στο επιθυμητό μήκος (τραβήξτε από κάτω από τα σταθερά μαξιλαράκια για να επιμηκύνετε). (24)
- 4- Ξεκλειδώστε την πόρπη των ιμάντων πατώντας το κόκκινο κουμπί. (25)
- 5- Τοποθετήστε τις γλωπίδες της πόρπης στη μαγνητική περιοχή στην εξωτερική πλευρά του παιδικού καθίσματος ασφαλείας, έτσι ώστε οι γλωπίδες να συγκρατούνται στη θέση τους. (26)

Χρήση ενθέματος βρέφους



Συνιστούμε τη χρήση του πλήρους ενθέματος βρέφους για όσο χρόνο το μωρό είναι κάτω από 60 εκ. και έως 13 κιλά. Μπορεί να χρησιμοποιηθεί έως ότου το παιδί ξεπεράσει το μέγεθος του ενθέματος.

Το ένθεμα βρέφους αυξάνει την προστασία πλευρικής σύγκρουσης.

- 6- Τοποθετήστε το παιδί στο ενισχυμένο παιδικό κάθισμα ασφαλείας και περάστε και τα δύο χέρια μέσα από τους ιμάντες.
- 7- Κουμπώστε την πόρπη. Παρακαλούμε ανατρέξτε στην εικόνα (27).
- 8- Περιστρέψτε το παιδικό κάθισμα ασφαλείας στη θέση όπου είναι στραμμένο προς τα πίσω. Η ένδειξη στο παιδικό κάθισμα ασφαλείας γίνεται πράσινη. (28)
- 9- Τραβήξτε προς τα κάτω τον ιμάντα ρύθμισης και προσαρμόστε τον στο σωστό μήκος για να εξασφαλίσετε ότι το παιδί σας έχει τοποθετηθεί με ασφάλεια και άνεση. (29)
- ! Να κρατάτε πάντοτε το παιδί ασφαλισμένο στους ιμάντες και να το σφίγγετε σωστά ρυθμίζοντας τυχόν χαλάρωση.

Κάθισμα στραμμένο προς τα εμπρός

(Ύψος παιδιού 76cm-105cm / Βάρος παιδιού ≤19 κιλά)
(Ηλικία παιδιού ≥15 μήνες)

- ! Εγκαταστήστε το ενισχυμένο παιδικό κάθισμα ασφαλείας στο πίσω κάθισμα του οχήματος και, έπειτα, τοποθετήστε το παιδί στο παιδικό κάθισμα ασφαλείας.
- ! Σύρετε την ασφάλεια περιστροφής προς τα αριστερά όταν χρησιμοποιείτε το παιδικό κάθισμα ασφαλείας στραμμένο προς τα μπροστά. (30)
- 1- Πατήστε και κρατήστε πατημένο το κουμπί περιστροφής για περιστροφή για ευκολότερη πλευρική τοποθέτηση/απομάκρυνση του παιδιού και, στη συνέχεια, περιστρέψτε το κάθισμα στη θέση όπου το παιδί κοιτάζει προς τα μπροστά. (31)(32)
- ! Πατήστε το κουμπί περιστροφής σε κάθε πλευρά για να περιστρέψετε το ενισχυμένο παιδικό κάθισμα ασφαλείας.
- ! Να βεβαιώνετε πάντα ότι το κάθισμα ασφαλείας βρίσκεται στη θέση ασφάλισης (στραμμένο προς τα πίσω/μπροστά), ακόμα και όταν το παιδί δεν κάθεται στο κάθισμα.
- 2- Πατήστε το κουμπί ρύθμισης του ιμάντα, ενώ τραβάτε τους ιμάντες ώμων στο επιθυμητό μήκος (τραβήξτε από κάτω από τα σταθερά μαξιλαράκια για να επιμηκύνετε). (33)
- 3- Ξεκλειδώστε την πόρπη των ιμάντων πατώντας το κόκκινο κουμπί. (34)
- ! Αφαιρέστε το ένθεμα βρέφους όταν το ενισχυμένο παιδικό κάθισμα ασφαλείας χρησιμοποιείται με το παιδί να κοιτάζει προς τα εμπρός.
- 4- Τοποθετήστε τις γλωττίδες της πόρπης στη μαγνητική περιοχή στην εξωτερική πλευρά του παιδικού καθίσματος ασφαλείας, έτσι ώστε οι γλωττίδες να συγκρατούνται στη θέση τους. (35)
- 5- Περιστρέψτε το παιδικό κάθισμα ασφαλείας στη θέση όπου είναι στραμμένο προς τα εμπρός. Η ένδειξη στο παιδικό κάθισμα ασφαλείας γίνεται πράσινη. (36)
- 6- Τραβήξτε προς τα κάτω τον ιμάντα ρύθμισης και προσαρμόστε τον στο σωστό μήκος για να εξασφαλίσετε ότι το παιδί σας έχει τοποθετηθεί με ασφάλεια και άνεση. (37)
- ! Να κρατάτε πάντοτε το παιδί ασφαλισμένο στους ιμάντες και να το σφίγγετε σωστά ρυθμίζοντας τυχόν χαλάρωση.

! **MHN** τοποθετείτε το κάθισμα στραμμένο προς τα εμπρός εάν το παιδί σας δεν έχει ύψος τουλάχιστον 76 εκατοστά ΚΑΙ είναι άνω των 15 μηνών.

Αφαίρεση και συναρμολόγηση μαλακών στοιχείων

Πατήστε το κόκκινο κουμπί για να αποδεσμεύσετε την πόρπη. (38)

Ακολουθήστε τα βήματα (39) - (44) για να αφαιρέσετε τα υφασμάτινα στοιχεία.

Για να προσαρτήσετε πάλι τα υφασμάτινα στοιχεία, επαναλάβετε τα παραπάνω βήματα με αντίστροφη σειρά.

Καθαρισμός και συντήρηση

Αποθηκεύστε το ένθεμα βρέφους σε σημείο όπου δεν έχει πρόσβαση το παιδί.

Πλένετε τα υφασμάτινα στοιχεία με κρύο νερό κάτω από τους 30°C.

MHN σιδερώνετε τα υφασμάτινα στοιχεία.

MHN χρησιμοποιείτε λευκαντικό ή υποβάλετε σε στεγνό καθάρισμα τα υφασμάτινα στοιχεία.

MHN χρησιμοποιείτε αδιάλυτα απορρυπαντικά, βενζίνη ή άλλους οργανικούς διαλύτες για να πλύνετε το ενισχυμένο παιδικό κάθισμα ασφαλείας. Ενδέχεται να προκαλέσουν φθορά στο παιδικό κάθισμα ασφαλείας.

MHN στύβετε με μεγάλη δύναμη τα υφασμάτινα στοιχεία για να στεγνώσουν. Μπορεί να προκληθούν ζέρες στα υφασμάτινα στοιχεία.

Κρεμάστε στη σκιά τα υφασμάτινα στοιχεία για να στεγνώσουν.

Αφαιρέστε το ενισχυμένο παιδικό κάθισμα ασφαλείας από το κάθισμα του οχήματος αν δεν πρόκειται να χρησιμοποιηθεί για μεγάλο χρονικό διάστημα.

ÖNEMLİ!
BU TALİMATLARI
İLERİDE BAŞVURMAK
ÜZERE SAKLAYIN:
DİKKATLİCE OKUYUN

İçindekiler

Ürün bilgisi	269
Garanti	
İletişim	
Çocuk Kullanım Koşulları	270
Uyarı	271
Parça Listesi	273
Ürünün Kurulumu	275
Ürün Kullanımı	275
Temizlik ve Bakım	280

Ürün Bilgisi

Model Numarası: _____

Üretim Tarihi: _____

Garanti

Yüksek kaliteli ürünlerimizi, hem çocuğunuzla hem de ailenizle birlikte büyüyecek şekilde bilinçli olarak tasarladık. Ürününüzün arkasında durduğumuz için, donanımımız satın alındığı günden itibaren her ürüne ait özel garanti kapsamındadır. Lütfen bizimle iletişime geçtiğinizde satın alma belgesini, model numarasını ve üretim tarihini hazır bulundurun.

Garanti bilgileri için lütfen şu adrese gidin:

www.nunababy.com

Ana sayfadaki "Garanti" linkine tıklayın.

İletişim

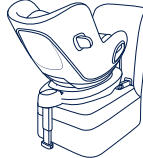
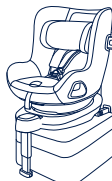
Yedek parça, servis veya ek garanti ile ilgili sorularınız için lütfen müşteri hizmetleri birimimizle iletişime geçin.


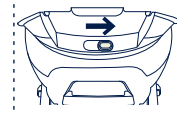

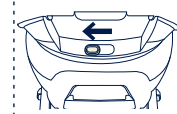
info@nunababy.com

www.nunababy.com

Çocuk Kullanım Koşulları

Bu ürün, aşağıdaki koşulları karşılayan çocuklar için kullanıma uygundur.

Çocuğun Boyu/Kilosu	Montaj Modu	Montaj için şekil	Referans Yaş	Koltuk Konumu	Bebek Eklentisi Talimatları
40cm-105cm/≤19kg	Arkaya Bakan Mod		<4 yaş	Konum 1-5	Bebek 60cm'den kısa ve ≤13kg'nin altındayken tam bebek eklentisinin kullanımını öneririz. Bebek eklentisi sığmayana kadar kullanılabilir. Bebek eklentisi yan darbe korumasını artırır.
76cm-105cm/≤19kg	Öne Dönük Mod		15 ay ila 4 yaş	Konum 1-5	Öne bakan moddayken bebek eklentisini çıkarm.

Çocuğun Yaşı	Kurulum Modu	Montaj	Döndürme Kiliti
<15 ay	Arkaya Bakan Mod		
>15 ay	Arkaya/Öne Dönük Mod		

- 1 - Bu bir "i-Size" Geliştirilmiş Çocuk Koltuğu Sistemidir. 129 numaralı BM Yönetmeliğine göre, aracın kullanım kılavuzunda araç üreticisi tarafından belirtilen i-Size uyumlu araç koltuğu konumlarında kullanım için onaylanmıştır.
- 2 - Şüpheli duyulması durumunda Geliştirilmiş Çocuk Koltuğu Sisteminin üreticisine veya bayisine danışın.

⚠ UYARI

Bu uyarılara ve talimatlara uyulmaması ciddi yaralanma veya ölüme sonuçlanabilir.

Geliştirilmiş çocuk koltuğu sisteminin sert ve plastik parçalarının, hareketli bir koltuğa veya aracın bir kapısına sıkışmayacak şekilde yerleştirilip monte edilmeleri gerektiğine **DİKKAT EDİN**.

Arkaya bakan geliştirilmiş çocuk koltuğu sistemini, aktif öne bakan hava yastığı takılı iken **KULLANMAYIN**.

Bu geliştirilmiş çocuk koltuğunu 129 Nolu AB Yönetmeliğine göre kullanmak için çocuğunuzun aşağıdaki gereklilikleri karşılaması gerekir.

Arkaya Dönük:

Çocuğun boyu 40cm-105cm/ Çocuğun kilosu \leq 19kg;

Öne Dönük:

Çocuğun boyu 76cm-105cm/ Çocuğun kilosu \leq 19kg;

ÖNEMLİ - ÇOCUK 15 AYINI DOLDURANA KADAR ÖNE DÖNÜK KONUMDA KULLANMAYIN (Talimatlara başvurun).

Herhangi bir destek ayağı araç tabanıyla temas etmeli ve çocuğu tutan kayışlar çocuğun vücuduna göre ayarlanmalıdır. Kemerler bükülmemelidir.

Herhangi bir kucak kemerinin alttan takıldığından emin olun, böylece kalça kemiği sağlam bir şekilde takılmalıdır.

Bir kazada şiddetli zorlanmalara maruz kaldığında bu geliştirilmiş çocuk koltuğu değiştirilmelidir. Bir kaza, üzerlerinde göremeyebileceğiniz hasara neden olabilir.

Yetkili makamın onayı olmadan cihazda herhangi bir değişiklik veya ekleme yapılması ve geliştirilmiş çocuk koltuğu üreticisi tarafından sağlanan montaj talimatlarının tam olarak yerine getirilmemesi durumlarında ortaya çıkabilecek tehlikeleri dikkate alın.

Lütfen bu geliştirilmiş çocuk koltuğunu doğrudan güneş altında bırakmayın; aksi durumda çocuğun cildi için çok ısınabilir. Çocuğu içine yerleştirmeden önce geliştirilmiş çocuk koltuğunun sıcaklığını mutlaka dokunarak kontrol edin.

Çocuklar, geliştirilmiş çocuk koltuğu sisteminde gözetimsiz bırakılmamalıdır.

Çarpışma durumunda yaralanmalara neden olabilecek herhangi bir bavul veya diğer nesnelere uygun biçimde sabitlenmelidir.

Geliştirilmiş çocuk koltuğu bu konumlardan birinde kullanıldığında, onaylı tüm araçlara sığmayabilir.

Geliştirilmiş çocuk koltuğu sistemi, tekstil malzemeleri olmadan **KULLANILMAMALIDIR**.

Koltuk performansının önemli bir parçasını oluşturduklarından, tekstil malzemeleri üretici firmanın önerdiği dışındakilerle değiştirilmemelidir.

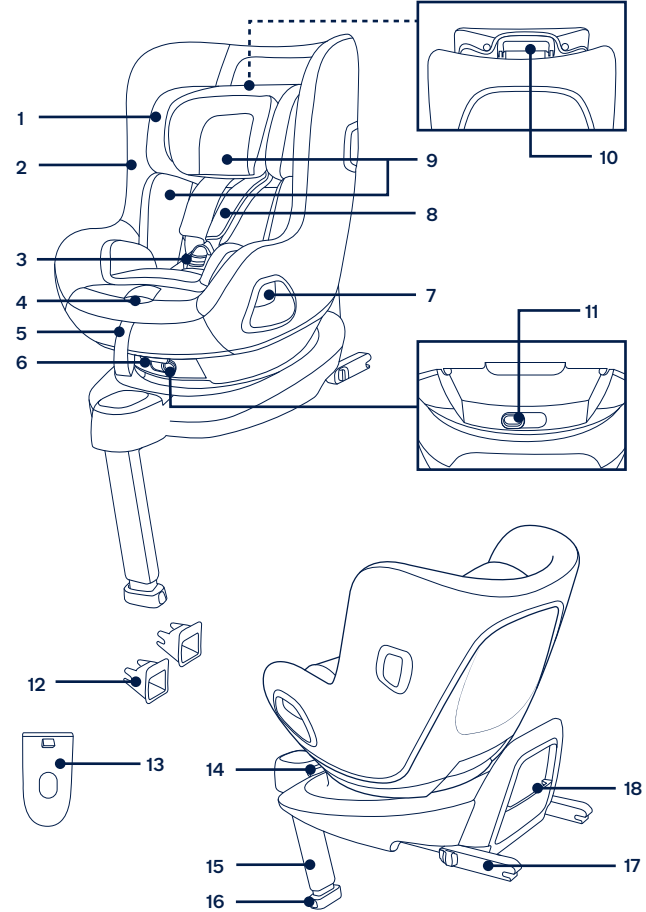
Talimatlar, kullanım süresince çocuk koltuğu üzerinde muhafaza edilmelidir.

Lütfen araç üreticisinin el kitabındaki talimat ve uyarılara da dikkat edin.

Parça Listesi

Montajdan önce tüm parçaların mevcut olduğundan emin olun. Herhangi bir parça eksikse, lütfen yerel bayi ile iletişime geçin. Montaj için bir alet gerekmez.

- | | | | |
|---|------------------------|----|-----------------------------------|
| 1 | Baş Desteği | 10 | Kafa Desteği Ayar Kolu |
| 2 | Koltuk Minderi | 11 | Döner Kilit |
| 3 | Toka | 12 | ISOFIX Kılavuzları |
| 4 | Kemer Ayarlama Düğmesi | 13 | Yan Darbe Koruması Bölmesi |
| 5 | Ayar Kayışı | 14 | ISOFIX Ayar Düğmesi |
| 6 | Yatırma Ayarı Düğmesi | 15 | Yük Ayağı |
| 7 | Döndürme Düğmesi | 16 | Yük Ayağı Ayar Düğmesi |
| 8 | Omuz Kayışı Kılıfları | 17 | ISOFIX Konnektörü |
| 9 | Bebek Eklentisi | 18 | Kullanım Kılavuzu Saklama Bölmesi |



Ürünün Kurulumu

Montaj ile ilgili hususlar

Bu geliştirilmiş çocuk koltuğu sistemi, tutturma çubukları bulunan araç koltukları için uygundur. (1)

Arkaya bakan geliştirilmiş çocuk koltuğu sistemini, aktif öne bakan hava yastığı takılı iken **KULLANMAYIN**. (2) Ölüm veya ciddi yaralanma meydana gelebilir. Daha fazla bilgi için lütfen aracın kullanıcı kılavuzuna başvurun.

Bu geliştirilmiş çocuk koltuğu sistemini, aracın gidiş yönüne göre yanlara veya arkaya dönük araç koltuklarına **KURMAYIN**.

Tavsiye edilen veya önerilen montaj konumları için lütfen araç kullanım kılavuzuna bakın. (3)

Bu geliştirilmiş çocuk koltuğunun arka araç koltuğuna takılması önerilir. (4)

Ürün Kullanımı

Montaj

- 1- ISOFIX kılavuzları aracın ISOFIX sabitleme çubuklarına takın (araç kullanım kılavuzuna bakın). (5) ISOFIX kılavuzları, araç koltuğunun yüzeyini yırtılmaktan koruyabilir. Ayrıca ISOFIX konektörlerini de yönlendirebilirler.
 - 2- Saklama bölmesinde - katlı durumda olan yük ayağını açın. (6)
 - 3- Bağlayıcıyı çekerken ISOFIX ayar düğmesine bastırarak ISOFIX bağlayıcıları uzatın. (7)
 - 4- ISOFIX ayarlar düğmesine basarak ISOFIX bağlayıcılarını ayarlayın. ISOFIX bağlayıcılarını ISOFIX kılavuzlarıyla hizalayıp, her iki ISOFIX bağlama çubuğunu ISOFIX tutturma noktalarına geçirin. (8)
- ! Her iki ISOFIX bağlayıcının da araç ISOFIX tutturma çubuklarına sıkıca takıldığından emin olun. İki tık sesi duyulmalı ve her iki ISOFIX bağlayıcıdaki göstergelerin renkleri tamamen yeşil olmalıdır. (8)-1
- ! Her iki ISOFIX bağlayıcıyı çekerek, tabanın güvenli bir şekilde takıldığını kontrol edin.

- 5- Tabanı araç koltuğuna yerleştirdikten - sonra, yük ayağını yere kadar uzatın (9). Yük ayağı doğru şekilde takıldığında, yük ayağı göstergesi yeşil yanar. Yanlış takıldığında kırmızı yanar. (9)-2

Takma ayağında birden fazla pozisyon vardır. Yük ayağı göstergesinin kırmızı renkte olması, yük ayağının yanlış konumda bulunduğunu gösterir.

- ! Yük ayağının aracın tabanıyla tam olarak temas ettiğinden emin olun.
- ! Yük ayağı ayar düğmesini sıkın ve yük ayağını yukarı doğru kısaltın. (9)-1

Tamamen monte edilen taban (10) ile gösterilmektedir.

- ! ISOFIX bağlayıcılar, ISOFIX tutturma çubuklarına takılmalı ve kilitlemelidir. (10)-1
- ! Yük ayağı doğru takılmalı ve göstergesi yeşil olmalıdır. (10)-2

- 6- Tabanı çıkarmak - için, önce ikincil kilit düğmesine (11)-1, ardından tabanı araç koltuğundan çıkarmadan önce ISOFIX bağlayıcılardaki (11)-2 düğmesine basın. (11)
- 7- Nakliye için, ISOFIX Ayar düğmesine basın ve ISOFIX bağlayıcıları saklama konumuna geri getirin. (12)

Yan Darbe Korumasını Kullanma

- 1- Geliştirilmiş çocuk koltuğu, çıkarılabilir yan darbe koruması bölmesi ile birlikte teslim edilir. Bu yan darbe koruma bölmesi aracın kapı tarafında kullanılmalıdır. Kurulum (13)'te gösterilmiştir.
- 2- Yan darbe koruma bölmesini çıkarmak için serbest bırakma düğmesine basın. (14)

Yükseklik Ayarı

Kafa Desteği ve Omuz Kayışı için

Lütfen kafa desteğini ayarlayın ve omuz kayışlarının (15)-(18)'e göre doğru yükseklikte olup olmadığını kontrol edin.

- ! Arkaya dönük modda kullanılırken Modu, omuz kayışı yüksekliği çocuğun omuzlarının üst kısmıyla eşit düzeyde veya üst kısmının hemen aşağısında olmalıdır. (15)

! Öne dönük modda kullanılırken, omuz kayışı yüksekliği çocuğun omuzlarının üst kısmıyla eşit düzeyde olmalıdır. (16)

Kafa desteği ayar kolunu çekerken (17), 6 konumdan birine geçinceye kadar kafa desteğini yukarı veya aşağı çekin. Kafa desteği konumları (18) ile gösterildiği gibidir.

Yatırma Ayarı

- 1- Geliştirilmiş çocuk koltuğunu uygun konuma ayarlamak için yatırma ayarı düğmesini sıkın. (19)
- 2- Hem arkaya bakan hem de öne bakan modda 5 yatırma pozisyonu bulunur ve yatırma açıları aşağıdaki gibidir. (20)

Arkaya Bakan Mod

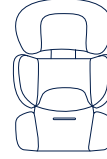
(Çocuğun boyu 40cm-105cm/ Çocuğun kilosu ≤19kg)

! Lütfen geliştirilmiş çocuk koltuğunu aracın arka koltuğuna monte edip, ardından çocuğu geliştirilmiş çocuk koltuğuna yerleştirin.

! Geliştirilmiş çocuk koltuğunu arkaya dönük modda kullanırken lütfen döner kilidi sağa kaydırın. (21)

- 1- ISOFIX ayar düğmesini basılı tutun ve geliştirilmiş çocuk koltuğu sistemini aracın koltuk arkasına temas edene kadar geriye doğru itin. (22)
- 2- Çocuğu yandan daha kolay yerleştirilmesi/çıkarılması amacıyla döndürmek için döndürme düğmesine basılı tutarak koltuğu arkaya dönük konuma döndürün. (23)
- ! Geliştirilmiş çocuk koltuğunu döndürmek için herhangi bir taraftaki döndürme düğmesine basın.
- ! Çocuk içinde değilken bile çocuk koltuğunun kilit konumunda (arkaya dönük / öne dönük) olduğundan daima emin olun.
- 3- Şerit ayarı düğmesine basarken, omuz kayışlarını istediğiniz uzunluğa çekin (uzatmak için sabit omuz tamponlarının alt kısmından çekin). (24)
- 4- Kırmızı düğmeye - basarak kayışın tokasını açın. (25)
- 5- Tokanın dillerini, diller sabit tutulacak şekilde geliştirilmiş çocuk koltuğunun dış tarafındaki manyetik alana yerleştirin. (26)

Bebek Eklentisi Kullanımı



Bebek 60cm'den kısa ve ≤13kg'nin altındayken tam bebek eklentisinin kullanılmasını öneririz. Bebek eklentiye sığmayana kadar kullanılabilir. Bebek eklentisi yan darbe korumasını artırır.

- 6- Çocuğu geliştirilmiş çocuk koltuğuna yerleştirip her iki kolu kayışlardan geçirin.
- 7- Tokayı takın. Lütfen (27) numaralı resme başvurun.
- 8- Geliştirilmiş çocuk koltuğunu arkaya bakacak şekilde döndürün. Geliştirilmiş çocuk koltuğu göstergesi yeşil yanacaktır. (28)
- 9- Ayar şeridini aşağı çekin ve çocuğu gerektiği şekilde sabitlendiğinden emin olmak için uygun uzunluğa ayarlayın. (29)
- ! Çocuğu her zaman kayışta sabit ve gevşeklikler giderilerek uygun biçimde sıkıştırılmış şekilde tutun.

Öne Dönük Mod

(Çocuğun boyu 76cm-105cm/Çocuğun kilosu ≤19kg)
(Çocuğun yaşı ≥15 ay)

- ! Lütfen geliştirilmiş çocuk koltuğunu aracın arka koltuğuna monte edip, ardından çocuğu geliştirilmiş çocuk koltuğuna yerleştirin.
- ! Geliştirilmiş çocuk koltuğunu öne dönük modda kullanırken lütfen döner kilidi sola kaydırın. (30)
- 1- Çocuğu yandan daha kolay yüklemek/boşaltmak için döndürme düğmesine basın ve basılı tutun, ardından koltuğu öne bakan konuma döndürün. (31)(32)
- ! Geliştirilmiş çocuk koltuğunu döndürmek için herhangi bir taraftaki döndürme düğmesine basın.
- ! Çocuk içinde değilken bile çocuk koltuğunun kilit konumunda (arkaya dönük / öne dönük) olduğundan daima emin olun.

- 2 - Şerit ayarı düğmesine basarken, omuz kayışlarını istediğiniz uzunluğa çekin (uzatmak için sabit omuz tamponlarının alt kısmından çekin). (33)
- 3 - Kırmızı düğmeye - basarak kayışın tokasını açın. (34)
 - ! Öne bakan moddayken bebek eklentisini çıkarın.
- 4 - Tokanın dillerini, diller sabit tutulacak şekilde geliştirilmiş çocuk koltuğunun dış tarafındaki manyetik alana yerleştirin. (35)
- 5 - Geliştirilmiş çocuk koltuğunu öne dönük moda getirin; geliştirilmiş çocuk koltuğu göstergesi yeşil renkte görünür. (36)
- 6 - Ayar şeridini aşağı çekin ve çocuğun gerektiği şekilde sabitlendiğinden emin olmak için uygun uzunluğa ayarlayın. (37)
 - ! Çocuğu her zaman kayışta sabit ve gevşeklikler giderilerek uygun biçimde sıkıştırılmış şekilde tutun.
 - ! Çocuğunuz en az 76 cm VE 15 aylık değilse öne dönük modu **KULLANMAYIN**.

Tekstil Malzemeleri Ayırma ve Birleştirme

Tokayı çıkarmak için kırmızı düğmeye basın. (38)

Tekstil malzemelerini ayırmak için (39) - (44) arası adımları izleyin.

Tekstil malzemelerini tekrar takmak için lütfen yukarıdaki adımları ters yönde izleyin.

Temizlik ve Bakım

Lütfen bebek eklentisini çocuğun ulaşamayacağı bir yerde saklayın.

Lütfen tekstil malzemelerini 30°C'nin altındaki soğuk suyla yıkayın.

Tekstil malzemelerini **ÜTÜLEMİYİN**.

Tekstil malzemelerini çamaşır suyuyla yıkamayın veya kuru temizlemeye **VERMEYİN**.

Geliştirilmiş çocuk koltuğunu yıkamak için, seyrettilmemiş nötr deterjan, gaz ya da başka bir organik çözültü **KULLANMAYIN**. Bu işlem geliştirilmiş çocuk koltuğuna zarar verebilir.

Fazla kuvvet uygulayarak kurutmak için tekstil malzemelerini **BÜKMEYİN**. Tekstil malzemelerinde kırışıklık bırakabilir.

Lütfen tekstil malzemelerini gölgede asılı olarak kurutun.

Uzun süre kullanılmayacaksa, lütfen geliştirilmiş çocuk koltuğunu araç koltuğundan çıkarın.

FONTOS!
TARTSA MEG EZEKET
AZ UTASÍTÁSOKAT
A JÖVŐBENI
HASZNÁLATRA:
FIGYELMESEN
OLVASSA EL

Tartalom

Termékinformáció	283
Garancia	
Kapcsolat	
Gyerekekkel való használat követelményei	284
Figyelem	285
Alkatrészek listája	287
Termék használata	289
Tartozékok	289
Tisztítás és karbantartás	294

Termék Információ

Model Szám: _____

Gyártási Szám: _____

Garancia

Szándékosan úgy terveztük kiváló minőségű termékeinket, hogy gyermekével és családjával együtt növekedhessenek. Mivel kitarunk termékünk mellett, felszerelésünkre termékenként egyedi garancia vonatkozik, a vásárlás napjától kezdődően. Kérjük, hogy a vásárlást igazoló bizonylat, a modellszám és a gyártás dátuma álljon rendelkezésre, amikor kapcsolatba lép velünk.

A garanciális információkért látogasson el ide:

www.nunababy.com

Kattintson a „Garancia” hivatkozásra a kezdőlapon.

Kapcsolat

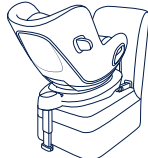
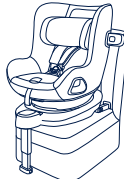
Cserealkatrészekkel, szervizzel vagy további garanciális kérdésekkel forduljon ügyfélszolgálatunkhoz.



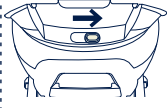


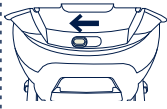
info@nunababy.com

www.nunababy.com

Használati Követelmények

Ez a termék olyan gyermekek számára alkalmas, akik megfelelnek a következő követelményeknek:

Gyerek méret	Felszerelési mód	Felszerelés rajz	Referencia kor	Ülés pozíció	Csecsemő útmutató
40 cm– 105 cm/± 19kg	Hátrafelé néző mód		< 4 év	Pozíció 1-5	A teljes csecsemőbetét használatát javasoljuk, ha a baba 60 cm alatti és 13 kg-nál kisebb. Addig használható, amíg ki nem nőnek a betétlen. A csecsemőbetét növeli az oldalsó ütközés elleni védelmet.
76cm– 105 cm/± 19kg	Előre néző mód		15 hónap- 4 év	Pozíció 1-5	Távolítsa el a csecsemőbetét et, ha előre néz.

Gyerek életkora	Szerelési mód:	Szerelés	Elfordító zár
<15 hónap	Hátranéző mód	 	
>15 hónap	Előre/ Hátranéző mód	 	

1 - Ez egy „i-Size” továbbfejlesztett gyermekbiztonsági rendszer. Az ENSZ 129. számú előírása szerint jóváhagyva i-Size-kompatibilis járműülésekben való használatra, a jármű gyártói által a jármű felhasználói kézikönyvében feltüntetett.

2 - Ha kétségei vannak, forduljon a továbbfejlesztett gyermekbiztonsági rendszer gyártójához vagy a kereskedőhöz.

FIGYELEM

Ezen figyelmeztetések és utasítások be nem tartása súlyos sérülést vagy halált okozhat.

LEGYEN óvatos, hogy a továbbfejlesztett gyermekbiztonsági rendszer merev elemeit és műanyag részeit úgy helyezték el és szereljük fel, hogy ne szoruljanak be mozgatható ülésbe vagy a jármű ajtájába.

NE használja a menetiránynak háttal megnövelt gyermekbiztonsági rendszert olyan üléshelyzetekben, ahol aktív elülső légszák van felszerelve.

Ennek a továbbfejlesztett gyermekbiztonsági rendszernek az ENSZ 129. számú előírása szerinti használatához gyermekének meg kell felelnie a következő követelményeknek.

Hátranéző mód:

Gyermek magassága 40cm-105cm/ Gyermek súlya ≤19kg

Előre néző mód:

Gyermek magassága 76cm-105cm/Gyermek súlya ≤19kg

FONTOS – NE HASZNÁLJON ELŐRE NÉZŐ MÓDOT MIELŐTT A GYERMEK ELÉRTE VOLNA A 15 HÓNAPOS KORT (lásd az utasításokat)

Bármely támasztólábnak érintkeznie kell a jármű padlójával, és a gyermeket rögzítő hevedereket a gyermek testéhez kell igazítani. A hevedereket nem szabad megcsavarni.

Győződjön meg arról, hogy minden övpánt lefelé kopott, hogy a medence szilárdan rögzítve legyen.

Ezt a megerősített gyermekülést ki kell cserélni, ha egy baleset során heves igénybevételnek volt kitéve. Egy baleset olyan károkat okozhat benne, amit nem lát.

Vegye figyelembe annak a veszélyét, hogy a megfelelő hatóság jóváhagyása nélkül bármilyen változtatást vagy kiegészítést hajt végre a készüléken, valamint annak a veszélyét, hogy nem követi szigorúan a megerősített gyermekbiztonsági rendszer gyártója által biztosított beszerelési utasításokat.

Kérjük, tartsa távol ezt a megerősített gyermekülést a közvetlen napfénytől, különben túlságosan felforrósodhat a gyermek bőréhez képest. Mindig ellenőrizze a hőmérsékletet úgy, hogy megérinti a megerősített gyermekülést, mielőtt behelyezné a gyermeket.

A gyermekeket nem szabad felügyelet nélkül hagyni a megerősített gyermekbiztonsági rendszerükben.

Minden poggyászt vagy egyéb olyan tárgyat, amely ütközés esetén sérülést okozhat, megfelelően rögzíteni kell.

Előfordulhat, hogy a továbbfejlesztett gyermekülés nem illeszkedik minden jóváhagyott járműbe, ha e helyzetek valamelyikében használják.

A továbbfejlesztett gyermekbiztonsági rendszer **NEM HASZNÁLHATÓ** puha áruk nélkül.

A puha árut nem szabad a gyártó által ajánlottakon kívül másra cserélni, mert a puha áruk a rögzítés teljesítményének szerves részét képezik.

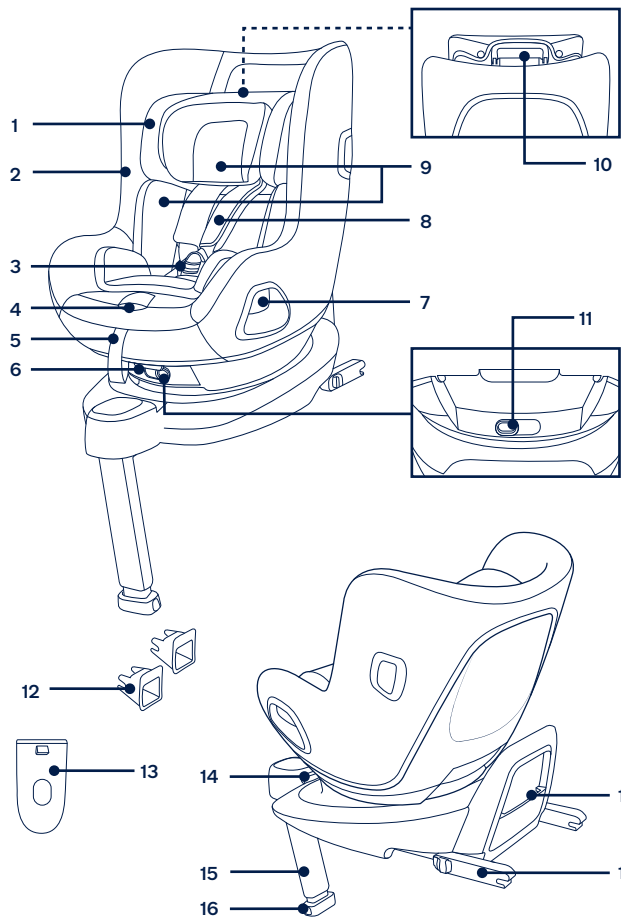
Az utasításokat meg kell őrizni a megerősített gyermekbiztonsági rendszeren annak élettartama alatt.

Kérjük, vegye figyelembe a járműgyártó kézikönyvében található utasításokat és figyelmeztetéseket is.

Termék részei

Az összeszerelés előtt győződjön meg arról, hogy minden alkatrész rendelkezésre áll. Ha valamelyik alkatrész hiányzik, forduljon a helyi viszonteladóhoz. Az összeszereléshez nincs szükség szerszámra.

- | | |
|---------------------------|--------------------------------------|
| 1 Fejtámasz | 21 Elfordító zár |
| 2 Üléstartó | 22 ISOFIX vezetők |
| 3 Övcsat | 23 Oldalütés elleni védelem |
| 4 Heveder beállító gomb | 24 ISOFIX állító gomb |
| 5 Beállító heveder | 25 Terhelő láb |
| 6 Döntésbeállító gomb | 26 Terhelő láb állító gomb |
| 7 Forgó gomb | 27 ISOFIX csatoló |
| 8 Vállheveder huzat | 28 Használati utasítás tároló rekesz |
| 9 Csecsemőbetét | |
| 10 Fejtámasz beállító kar | |



Termék használatba helyezése

Felszerelési figyelmeztetések

Ez a továbbfejlesztett gyermekbiztonsági rendszer csak ISOFIX rögzítőrudakkal felszerelt járműülésekhez használható. (1)

NE használja a menetiránynak háttal megnövelt gyermekbiztonsági rendszert olyan ülés helyzetekben, ahol aktív elülső légszák van felszerelve. (2) Halál vagy súlyos sérülés következhet be. További információkért tekintse meg a jármű használati útmutatóját.

NE szerelje fel ezt a továbbfejlesztett gyermekbiztonsági rendszert olyan járműülésekre, amelyek a jármű mozgási irányához képest oldalra vagy hátrafelé néznek.

Kérjük, olvassa el járműve használati útmutatóját az ajánlott vagy javasolt beépítési helyzetekkel kapcsolatban. (3)

Javasoljuk, hogy ezt a továbbfejlesztett gyermekülést a jármű hátsó ülésére szerelje fel. (4)

Termék használat

Szerelés

- 1 - Rögzítse az ISOFIX-vezetőket a jármű ISOFIX-rúdjaihoz (lásd a jármű használati útmutatóját). (5) Az ISOFIX vezetők megvédhetik a jármű ülés felületét a szakadástól. Ezek irányíthatják az ISOFIX csatlakozókat is.
- 2 - Hajtsa ki a csomagtartó lábat a tárolórekeszből. (6)
- 3 - Húzza ki az ISOFIX csatlakozókat az ISOFIX beállító gomb megnyomásával, miközben húzza a csatlakozót. (7)
- 4 - Nyomja meg az ISOFIX beállító gombot az ISOFIX csatlakozók beállításához. Illessze az ISOFIX csatlakozókat az ISOFIX vezetőkkel, majd kattintson mindkét ISOFIX csatlakozót az ISOFIX horgonyrudakra. (8)
 - ! Győződjön meg arról, hogy mindkét ISOFIX-csatlakozó biztonságosan csatlakozik a jármű ISOFIX-rúdjaihoz. Két hallható kattanasnak kell lennie, és mindkét ISOFIX csatlakozón a jelzőfények színének teljesen zöldnek kell lennie. (8)-1
 - ! Mindkét ISOFIX csatlakozó meghúzásával ellenőrizze, hogy az alap megfelelően van-e rögzítve.

- 5 - Miután az alapot a jármű ülésére helyezte, húzza ki a teherlábát a padlóig (9). Ha a teherláb megfelelően van felszerelve, a teherláb jelző zölden világít. Helytelen telepítés esetén piros szín jelenik meg. (9)-2

A teherlábnek több pozíciója van. Ha a teherláb jelző pirosan világít, ez azt jelenti, hogy a teherláb rossz helyzetben van.

- ! Győződjön meg arról, hogy a teherláb teljesen érintkezik a jármű padlólemezeivel.
- ! Nyomja meg a teherláb beállító gombot, majd rövidítse le a teherláb fel felé. (9)-1

A teljesen összeszerelt alapot a következőképpen ábrázoljuk (10).

- ! Az ISOFIX csatlakozókat rögzíteni kell és rögzíteni kell az ISOFIX horgonyrudakra. (10)-1
- ! A teherláb zöld jelzéssel megfelelően legyen felszerelve. (10)-2

- 6 - Az alap eltávolításához nyomja meg először a másodlagos reteszelő gombot (11)-1, majd a gombot (11)-2 az ISOFIX csatlakozókon, mielőtt eltávolítaná az alapot a jármű üléséről. (11)

- 7 - Szállításhoz nyomja meg az ISOFIX beállító gombot, és helyezze vissza az ISOFIX csatlakozókat a tárolási helyzetbe. (12)

Oldalsó ütközés elleni védelem használata

- 1 - A továbbfejlesztett gyermekülést kivehető oldalsó ütközésvédelmi tokkal szállítjuk. Ezt az oldalsó ütközésvédő tokot **KÖTELEZŐ** a jármű ajtajának oldalán használni. Telepítés látható: (13).
- 2 - Nyomja meg a kioldó gombot az oldalsó ütközés elleni védelem eltávolításához. (14)

Magasságállítás

Fejtámaszhoz és Vállhevederekhez

Állítsa be a fejtámaszt és ellenőrizze, hogy a vállhevederek a megfelelő magasságban vannak-e (15)-(18).

- ! Hátrafelé néző üzemmódban a vállheveder magasságának egyenletesnek kell lennie a gyermek vállának felső részével vagy közvetlenül alatta kell, hogy elhelyezkedjen. (15)

- ! A menetiránynak megfelelő üzemmódban a vállheveder magasságának egyenlőnek kell lennie a gyermek vállának felső részével. (16)

Húzza meg a fejtámasz beállító kart (17), közben húzza fel vagy le a fejtámaszt, amíg be nem pattan a G pozíció valamelyikébe. A fejtámasz helyzetei a következőképpen jelennek meg (18).

Dőlésbeállítás

- 1- Nyomja meg a dőlésszög-beállító gombot a továbbfejlesztett gyermekülés megfelelő helyzetbe állításához. (19)
- 2- Mind a menetiránynak, mind az előre néző módnak 5 dőlésszöge van, a dőlésszögek a következőképpen jelennek meg. (20)

Hátrafelé néző mód

(Gyerek magasság 40cm-105cm/ Gyerek tömeg \leq 19kg)

- ! Kérjük, szerelje fel a megerősített gyermekülést a jármű hátsó ülésére, majd helyezze a gyermeket a megerősített gyermekülésbe.

- ! Ha a továbbfejlesztett gyermekbiztonsági rendszert hátrafelé néző módban használja, csúsztassa az elfordító zárat jobbra. (21)

- 1- Nyomja meg és tartsa megnyomva az ISOFIX állító gombot és nyomja hátra a fejlett gyerekülést amíg hozzáér a gépkocsi ülésének támlájához. (22)

- 2- Nyomja meg és tartsa lenyomva az elforgatógombot az elforgatáshoz a gyermek könnyebb oldalsó be-/kirakodása érdekében, majd fordítsa az ülést a menetiránynak háttal. (23)

- ! A továbbfejlesztett gyermekülés elforgatásához nyomja meg a forgatógombot mindkét oldalon.

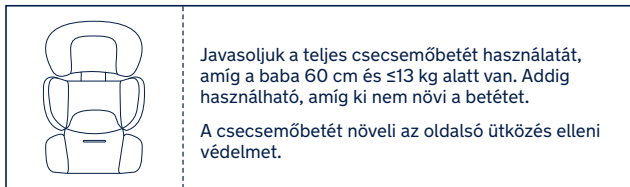
- ! Mindig győződjön meg arról, hogy a gyermekbiztonsági rendszer a zárhelyzetben van (hátrafelé néző / előre néző), még akkor is, ha a gyermek nincs benne.

- 3- Nyomja meg a heveder beállító gombot, miközben a vállhevederek a kívánt hosszúságra húzza (a meghosszabbításhoz húzza alulról a rögzített vállpárnákat). (24)

- 4- Oldja ki a hevederek csatját a piros gomb megnyomásával. (25)

- 5- Helyezze a csat nyelveit a megerősített gyermekbiztonsági rendszer külső oldalán lévő mágneses területhez úgy, hogy a nyelvek a helyükön maradjanak. (26)

Csecsemőbetét használata



- 6- Helyezze a gyermeket a megerősített gyermekbiztonsági rendszerbe, és vezesse át mindkét karját a hevedereken.

- 7- Kapcsolja be a csatot. Lásd: (27).

- 8- Forgassa a továbbfejlesztett gyermekülést menetiránynak háttal. A továbbfejlesztett gyermekülés jelzőfénye zölden világít. (28)

- 9- Húzza le a beállító hevedert, és állítsa be a megfelelő hosszra, hogy megbizonyosodjon arról, hogy gyermeke megfelelően van rögzítve. (29)

- ! Mindig tartsa a gyermeket a hevederben rögzítve, és megfelelően megfeszítve, távolítsa el a hevedereket.

Előre néző mód

(Gyerek magassága 76cm-105cm/ Gyerek tömege \leq 19kg)

(Gyerek kora \geq 15 hónap)

- ! Kérjük, szerelje fel a megerősített gyermekülést a jármű hátsó ülésére, majd helyezze be a gyermeket a megerősített gyermekülésbe.

- ! Ha a továbbfejlesztett gyermekbiztonsági rendszert előrenéző módban használja, csúsztassa az elfordító zárat balra. (30)

- 1- Nyomja meg és tartsa lenyomva a forgató gombot hogy elfordítsa a könnyebb oldalsó behelyezésére/kivételére a gyerekek, majd fordítsa vissza az előrenéző irányba. (31)(32)

- ! A továbbfejlesztett gyermekülés elforgatásához nyomja meg a forgatógombot mindkét oldalon.

- ! Mindig győződjön meg arról, hogy a gyermekbiztonsági rendszer a zárhelyzetben van (hátrafelé néző / előre néző), még akkor is, ha a gyermek nincs benne.
- 2 - Nyomja meg a heveder beállító gombot, miközben a vállhevedereket a kívánt hosszúságra húzza (a meghosszabbításhoz húzza alulról a rögzített vállpárnákat). (33)
- 3 - Oldja ki a hevederek csatját a piros gomb megnyomásával. (34)
 - ! Távolítsa el a csecsemőbetétet, ha előre néző módban van.
- 4 - Helyezze a csat nyelveit a megerősített gyermekbiztonsági rendszer külső oldalán lévő mágneses területre úgy, hogy a nyelvek a helyükön maradjanak. (35)
- 5 - Forgassa a továbbfejlesztett gyermekbiztonsági ülést menetiránynak megfelelően, a továbbfejlesztett gyermekülés jelzőfénye zölden világít. (36)
- 6 - Húzza le a beállító hevedert, és állítsa be a megfelelő hosszra, hogy megbizonyosodjon arról, hogy gyermeke megfelelően van rögzítve. (37)
 - ! Mindig tartsa a gyermeket a hevederben rögzítve, és megfelelően megfeszítve.
 - ! NE használja előre nézve, kivéve, ha gyermeke legalább 76 cm és 15 hónapos.

Puha részek fel és leszerelése

Nyomja meg a piros gombot a csat kioldásához. (38)

Kövesse a (39) - (44) lépéseket a puha részek leválasztásához.

A puha részek visszahelyezéséhez ismételje meg a fenti lépéseket fordított sorrendben.

Tisztítás és karbantartás

Kérjük, a csecsemőbetétet olyan helyen tárolja, ahol a gyermek nem férhet hozzá.

A puha részeket 30°C alatti hideg vízzel kérjük kimosni.

NE vasalja a puha részeket.

NE fehértse vagy tisztítsa szárazon a puha részeket.

NE használjon hígítatlan semleges mosószert, benzint vagy más szerves oldószert a megerősített gyermekülés mosásához. Ez károsíthatja a megerősített gyermekülést.

NE csavarja meg nagy erővel a puha részeket szárítás céljából. A puha részeket ráncosíthatja.

Kérjük, szárítsa ki a puha árut az árnyékban.

Kérjük, távolítsa el a megerősített gyermekülést a jármű üléséről, ha hosszabb ideig nem használja.

٢٩٨

المحتويات

معلومات المنتج

الضمان

جهات الاتصال

٢٩٧

متطلبات الاستخدام الخاصة بالأطفال

٣٠٠

تحذير

٣٠٢

قائمة الأجزاء

٣٠٤

إعداد المنتج

٣٠٤

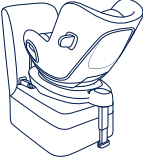
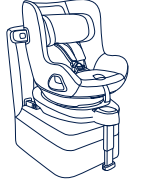
استخدام المنتج

٣٠٨

التنظيف والصيانة

هام!
يرجى الاحتفاظ بهذه التعليمات
للرجوع إليها مستقبلاً!
يرجى قراءة هذا الدليل بعناية

هذا المنتج مناسب للاستخدام مع الأطفال الذين يستوفون المتطلبات التالية:

حجم الطفل	وضع التركيب	شكل التركيب	العمر المرجعي	وضع المقعد	تعليمات استخدام بطاقة الرضيع
من ٤٠ سم - ١٠٥ سم / ١٨ كجم	وضع المواجهة للخلف		> ٤ سنوات	الوضع ١-٥	نوصي باستخدام بطاقة الرضيع الكاملة عندما يكون الطفل الأصغر من ٦٠ سم ويصبح وزنه ١٣ كجم أو أقل، ويمكن استخدامها حتى تصبح سميكة عليه. تزيد بطاقة الرضيع من الحماية الجانبية من الصدمات.
من ٧٦ سم إلى ١٠٥ سم / ١٨ كجم	وضع المواجهة للأمام		من ١٥ شهرًا إلى ٤ سنوات	الوضع ٥-١	أزل بطاقة الرضيع عند استخدام وضع المواجهة للأمام.

رقم الطراز:

تاريخ التصنيع:

الضمان

لقد صممنا منتجات عالية الجودة إيمانًا منا أنها ستمضي عمرًا مع طفلك وعائلتك. ولأننا ندعم منتجاتنا تم تغطية كل منها بضمان يبدأ من اليوم الذي تم شراؤها به؛ لذا يرجى أن يكون لديك إثبات الشراء ورقم الطراز وتاريخ التصنيع عند الاتصال بنا.

لمزيد من المعلومات عن الضمان يرجى زيارة الموقع:

www.nunababy.com



انقر على الرابط "الضمان" في الصفحة الرئيسية.

جهات الاتصال

للحصول على الاستفسارات المتعلقة بقطع الغيار أو الخدمة أو استفسارات الضمان الإضافية يرجى الاتصال بمركز خدمة العملاء.

info@nunababy.com

www.nunababy.com

عمر الطفل	وضع التركيب	شكل التركيب	تعليمات استخدام بطاقة الرضيع
> ١٥ شهرًا	وضع المواجهة للخلف		قفل دوران
< ١٥ شهرًا	وضع المواجهة للخلف للأمام		قفل دوران

١ - هذا نظام مطوّر لتثبيت حركة الطفل لمقاعد السيارات من الفئة "i-Size"، ومعتمد وفقًا للائحة الأمم المتحدة رقم ١٢٩ للاستخدام في وضعيات مقاعد السيارة المتوافقة مع الفئة i-Size كما هو موضح من قبل مصنعي السيارات في دليل استخدام السيارة.

٢ - إذا سارك شك، فاستشر الجهة المصنعة للنظام المطوّر لتثبيت حركة الطفل أو الموزع.

⚠ تحذير

قد يؤدي عدم مراعاة هذه التحذيرات والتعليمات إلى وقوع إصابات بالغة أو الوفاة.

توخّ العناية والحرص عند وضع العناصر الصلبة والأجزاء البلاستيكية وتركيبها في النظام المطوّر لتقييد حركة الطفل بحيث لا تكون عرضة للاحتجاز في مقعد متحرك أو في أحد أبواب السيارة.

لا تستخدم النظام المطوّر لتقييد حركة الطفل المواجه للخلف في أوضاع جلوس تكون فيها وسادة هوائية أمامية نشطة.

لاستخدام هذا النظام المطوّر لتقييد حركة الطفل وفقاً للائحة الأمم المتحدة رقم ١٢٩، يجب أن تتوفر في طفلك الشروط التالية.

المواجهة للخلف:

طول الطفل من ٤٠ إلى ١٠٥ سم/وزنه ≥ ١٩ كجم;

المواجهة للأمام:

طول الطفل من ٧٦ إلى ١٠٥ سم/وزنه ≥ ١٩ كجم;

مهم - لا تستخدم وضع المواجهة للأمام قبل أن يتجاوز عمر الطفل ١٥ شهرًا (راجع التعليمات)

يجب أن تكون أي أرجل داعمة ملائمة لأرضية السيارة ويجب ضبط أي أحزمة مُقيدة للطفل على جسمه، ويجب ألا تكون الأحزمة ملتوية.

احرص على شد وتثبيت حزام الفخذ عند مستوي منخفض، بحيث يتم ربطه بإحكام على الحوض.

يتعين استبدال هذا النظام المطوّر بعد تعرضه لضغوط عنيفة في حادث. فقد تتسبب الحوادث في إلحاق أضرار به ولا يمكن رؤيتها.

انتبه إلى خطر إجراء أي تعديلات أو إضافات للجهاز بدون موافقة السلطة المختصة، وخطر عدم اتباع تعليمات التركيب بحذافيرها المقدمة من قبل جهة تصنيع هذا النظام المطوّر.

يرجى الاحتفاظ بهذا النظام المطوّر بعيداً عن أشعة الشمس المباشرة؛ وإلا، فقد يسخن للغاية ويضر بشرّة الطفل. واحرص دائماً على اختبار حرارة النظام المطوّر باللمس قبل وضع طفل بداخله.

يتعين عدم ترك الأطفال دون مراقبة في النظام المطوّر.

يجب إحكام تثبيت أي أمتعة أو أي أشياء أخرى قد تحدث إصابات في حالة حدوث تصادم.

قد لا يصلح نظام تقييد حركة طفل المطوّر لجميع المركبات المعتمدة عند استخدامه في إحدى هذه الوضعيات.

لا يُستخدم النظام المطوّر بدون الأجزاء اللينة.

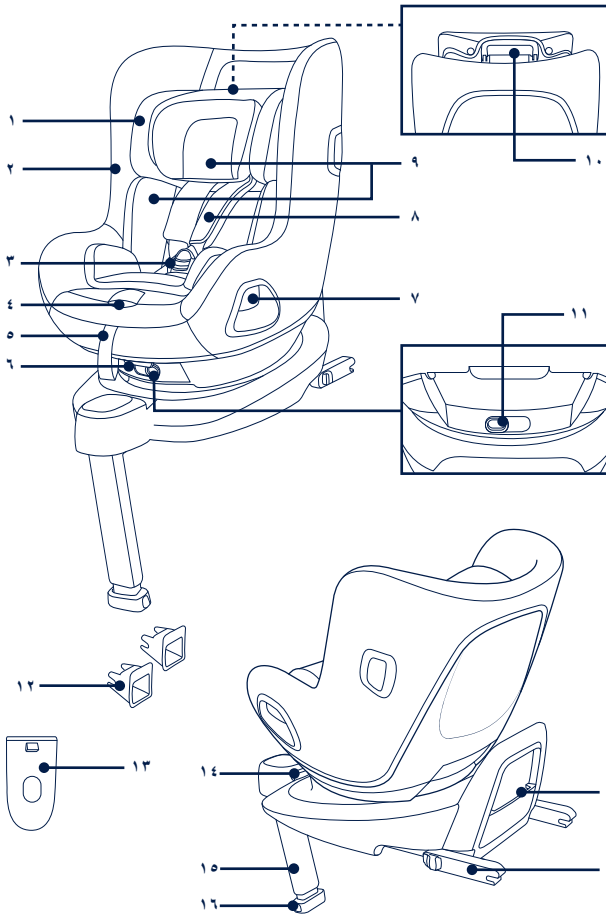
يتعين عدم استبدال الأجزاء اللينة بأي أشياء أخرى بخلاف الموصى بها من قبل المُصنّع حيث إن القطع اللينة (المنسوجات) تتشكّل جزءاً لا يتجزأ من أداء هذا المقعد الداعم.

ينبغي الاحتفاظ بالتعليمات في النظام المطوّر لتقييد حركة الطفل طوال عمره الافتراضي.

يرجى الانتباه أيضاً إلى التعليمات والتحذيرات في كُتيب مصنّع السيارة.

قائمة الأجزاء

تأكد من توفر جميع الأجزاء قبل التجميع. يرجى الاتصال بالموزع المحلي في حالة غياب أي جزء. لا داعي لاستخدام أية أدوات للتجميع.



- | | | | |
|----|-----------------------------------|----|---------------------|
| ١١ | القفل الدوار | ١ | مسند الرأس |
| ١٢ | موجها ISOFIX | ٢ | وسادة المقعد |
| ١٣ | وسادة الحماية من الصدمات الجانبية | ٣ | إبزيم |
| ١٤ | زر ضبط الشريط ISOFIX | ٤ | زر ضبط الشريط |
| ١٥ | ساق التحميل | ٥ | شريط الضبط |
| ١٦ | زر ضبط ساق التحميل | ٦ | زر ضبط الإمالة |
| ١٧ | وصلة ISOFIX | ٧ | زر التنوير |
| ١٨ | حقيبة تخزين دليل التعليمات | ٨ | أغطية حزامي الكتفين |
| | | ٩ | بطانة الرضيع |
| | | ١٠ | ذراع ضبط مسند الرأس |

إعداد المنتج

أمور متعلقة بالتركيب

نظام تثبيت حركة الطفل هذا مناسب فقط للاستخدام مع مقاعد سيارات مزودة بقضبان تثبيت ISOFIX. (١)

لا تستخدم النظام المطور لتثبيت حركة الطفل المواجه للخلف في أوضاع جلوس تكون فيها وسادة هوائية أمامية نشطة. (٢) قد تحدث وفاة أو إصابات خطيرة. يرجى الرجوع إلى دليل استخدام السيارة للحصول على المزيد من المعلومات.

لا ترتب هذا النظام المطور على مقاعد سيارات متجهة جانبيًا أو للخلف حسب اتجاه حركة السيارة.

يرجى الرجوع إلى دليل استخدام السيارة؛ لمعرفة أوضاع التثبيت الموصى بها أو المقترحة. (٣)

يوصى بتركيب هذا المقعد المطور في المقعد الخلفي للسيارة. (٤)

استخدام المنتج

التركيب

١ - ثبت موجهي ISOFIX في قضبيي تثبيت ISOFIX (راجع دليل مالك السيارة). (٥) تجمي أدلة ISOFIX سطح مقعد السيارة من التمزق. يمكن استخدامهما أيضًا كدليلين لوصلتي ISOFIX.

٢ - أخرج ساق التحميل من حبيزة التخزين. (٦)

٣ - افرد وصلتي ISOFIX من خلال الضغط على زر ضبط ISOFIX أثناء سحب الوصلة. (٧)

٤ - اضغط على زر ضبط ISOFIX لضبط وصلتي ISOFIX. اضبط محاذاة وصلتي ISOFIX مع موجهي ISOFIX، ثم أسقط وصلتي ISOFIX بحيث يمكنك سماع صوت استقرارهما في مكانيهما داخل قضبيي تثبيت ISOFIX. (٨)

! تأكد من إحكام تركيب كلتا وصلتي ISOFIX في قضبيي تثبيت ISOFIX بالسيارة. ومن المقرض سماع صوت نقرتين إلى جانب إضاءة المؤشرين في وصلتي ISOFIX باللون الأخضر بالكامل. (٨-١)

! افحص للتأكد من إحكام تركيب القاعدة من خلال سحب وصلتي ISOFIX.

٥ - بعد وضع القاعدة على مقعد السيارة، افرد ساق التحميل للأسفل نحو الأرضية (٩). بعد تركيب ساق التحميل بشكل صحيح، سيضيء مؤشر ساق التحميل باللون الأخضر. وسيضيء باللون الأحمر في حالة التركيب بشكل غير صحيح. (٩-٢)

هناك وضعت متعددة لساق التحميل. وإذا أضاء مؤشر ساق التحميل باللون الأحمر، فهذا يعني أن الساق في الوضعية الخطأ.

! تأكد من تلامس ساق التحميل بالكامل مع أرضية السيارة.

! اضغط على زر ضبط ساق التحميل، ثم قم بتقصير ساق التحميل لأعلى. (٩-١)

تبدو القاعدة التي تم تجميعها بالكامل كما في (١٠).

! يجب تركيب وصلتي ISOFIX وإحكام تثبيتهما في قضبيي تثبيت ISOFIX. (١٠-١)

! يجب تركيب ساق التحميل بشكل صحيح من خلال التأكد من إضاءة مؤشرها باللون الأخضر. (١٠-٢)

٦ - لإزالة القاعدة اضغط أولاً على زر القفل الثانوي (١١-١) ثم اضغط على الزر (١١-٢) الموجود على وصلتي ISOFIX قبل إزالة القاعدة من مقعد السيارة. (١١)

٧ - للفلق، اضغط على زر ضبط ISOFIX وحرك وصلتي ISOFIX لإعادتهما إلى موضع التخزين. (١٢)

استخدام واقي الصدمات الجانبي

١ - يأتي النظام المطور لتثبيت حركة الطفل مزودًا بوسادة جانبية واقية من الصدمات وقابلة للفك والتركيب. يجب استخدام تلك الوسادة الواقية على جانب باب السيارة. ويمكن الاطلاع على كيفية التركيب في الصورة (١٣).

٢ - اضغط على زر التحرير لفك الوسادة الجانبية الواقية من الصدمات. (١٤)

ضبط الارتفاع

مسند الرأس وأحزمة الكتف

يرجى ضبط مسند الرأس والتحقق من ضبط مجموعة أحزمة الكتف على الارتفاع الصحيح وفقًا للصورة (١٥)-(١٨).

! عند الاستخدام في وضع المواجهة للخلف، يجب أن تكون مجموعة أحزمة الكتف مستوية مع قمتي كتفي الطفل أو أدناهما قليلاً. (١٥)

! عند الاستخدام في وضع المواجهة للأمام، يجب أن تكون مجموعة أحزمة الكتف مستوية مع قمتي كتفي الطفل. (١٦)

اسحب ذراع ضبط مسند الرأس (١٧) مع سحب المسند لأعلى أو لأسفل في الوقت نفسه حتى يستقر في إحدى الوضعتين الستة. يتم عرض أوضاع مسند الرأس في الصورة (١٨).

ضبط الأتحاء

- ١ - اضغط بقوة على زر ضبط الإمالة لضبط النظام المطور على الوضع السليم. (١٩)
- ٢ - توجد ٥ مواضع للإمالة، سواء في وضع المواجهة للأمام أو المواجهة للخلف، وتظهر زوايا الإمالة كما بالصورة. (٢٠)

وضع المواجهة للخلف

(طول الطفل من ٤٠ إلى ١٠٥ سم/وزنه ≥ ١٩ كجم)

- ! يرجى تثبيت النظام المطور على مقعد السيارة الخلفي، ثم وضع الطفل في النظام المطور.
 - ! يرجى سحب القفل الدوار إلى اليمين عند استخدام النظام المطور لتقييد حركة الطفل في وضع المواجهة للخلف. (٢١)
 - ١ - اضغط مع الاستمرار على زر ضبط ISOFIX وادفع النظام المطور لتقييد حركة الطفل للخلف حتى يتلاصق مع ظهر مقعد السيارة. (٢٢)
 - ٢ - اضغط مع الاستمرار على زر التدوير للتدوير إلى الجانب الأيسر لإدخال الطفل أو إخراجها، ثم أدر المقعد إلى وضع المواجهة للخلف. (٢٥)
 - ! اضغط على زر التدوير الموجود على أي جانب من الجانبين لتدوير النظام المطور.
 - ! تأكد دائماً من وجود نظام تقييد حركة الطفل في موضع القفل (وضع المواجهة للخلف/للأمام) حتى عند عدم وجود الطفل فيه.
 - ٣ - اضغط على زر ضبط مجموعة الأحزمة أثناء سحب مجموعة أحزمة الكتف إلى الطول المطلوب (اسحب من أسفل وسائد الكتف المثبتة للتطويل). (٢٤)
 - ٤ - افتح إبزيم أحزمة الأمان من خلال الضغط على الزر الأحمر. (٢٥)
 - ٥ - ضع ألسنة الإبزيم مقابل الجزء المغناطيسي على الجانب الخارجي للنظام المطور بحيث تستقر الألسنة في أماكنها. (٢٦)
- ### استخدام بطاقة الرضيع
- نوصي باستخدام بطاقة الرضيع الكاملة عندما يكون الطفل أقصر من ٦٠ سم ويصبح وزنه ١٣ كجم أو أقل. ويمكن استخدامها حتى تصبح ضيقة عليه.
- تزيد بطاقة الرضيع من الحماية الجانبية من الصدمات.
- 

- ٨ - ضع الطفل في النظام المطور ومرر كلتا ذراعيه عبر مجموعة الأحزمة.
- ٩ - عشق الإبزيم. يرجى الرجوع إلى (٢٧).
- ١٠ - أدر النظام المطور إلى وضع المواجهة للخلف، وسيضيء عندئذ مؤشر النظام المطور باللون الأخضر. (٢٨)
- ١١ - اسحب شريط الضبط لأسفل واضبطه على الطول المناسب للتأكد من إحكام تثبيت الطفل. (٢٩)
- ! أبقِ الطفل محكّم التثبيت دائماً بمجموعة الأحزمة واربطها بشكل سليم من خلال إزالة أي ارتخاء بها.

وضع المواجهة للأمام

(طول الطفل من ٧٦ إلى ١٠٥ سم/وزنه ≥ ١٩ كجم)
(عمر الطفل ≤ ١٥ شهراً)

- ! يرجى تثبيت النظام المطور على مقعد السيارة الخلفي، ثم وضع الطفل في النظام المطور.
- ! يرجى سحب القفل الدوار إلى اليسار عند استخدام النظام المطور لتقييد حركة الطفل في وضع المواجهة للأمام. (٣٠)
- ١ - اضغط مع الاستمرار على زر التدوير للتدوير إلى الجانب الأيسر لإدخال الطفل أو إخراجها، ثم أدر المقعد إلى وضع المواجهة للأمام. (٣١)(٣٢)
- ! اضغط على زر التدوير الموجود على أي جانب من الجانبين لتدوير النظام المطور.
- ! تأكد دائماً من وجود نظام تقييد حركة الطفل في موضع القفل (وضع المواجهة للخلف/للأمام) حتى عند عدم وجود الطفل فيه.
- ٢ - اضغط على زر ضبط مجموعة الأحزمة أثناء سحب مجموعة أحزمة الكتف إلى الطول المطلوب (اسحب من أسفل وسائد الكتف المثبتة للتطويل). (٣٣)
- ٣ - افتح إبزيم أحزمة الأمان من خلال الضغط على الزر الأحمر. (٣٤)
- ! أزل بطاقة الرضيع عند استخدام وضع المواجهة للأمام.
- ٤ - ضع ألسنة الإبزيم مقابل الجزء المغناطيسي على الجانب الخارجي للنظام المطور بحيث تستقر الألسنة في أماكنها. (٣٥)
- ٥ - أدر النظام المطور إلى وضع المواجهة للأمام، وسيضيء مؤشره باللون الأخضر. (٣٦)
- ٦ - اسحب شريط الضبط لأسفل واضبطه على الطول المناسب للتأكد من إحكام تثبيت الطفل. (٣٧)
- ! أبقِ الطفل محكّم التثبيت دائماً بمجموعة الأحزمة واربطها بشكل سليم من خلال إزالة أي ارتخاء بها.
- ! لا تستخدم وضع المواجهة للأمام ما لم يكن طول الطفل ٧٦ سم وعمره ١٥ شهراً على الأقل.

فك وتركيب الأجزاء اللينة

اضغط على الزر الأحمر لفك تشويق الإيزيم. (٣٨)

اتبع الخطوات من (٣٩) إلى (٤٤) لفك الأجزاء اللينة.

لإعادة تركيب الأجزاء اللينة، يرجى تكرار الخطوات الواردة سابقاً لكن بترتيب عكسي.

التنظيف والصيانة

يرجى تخزين بطانة الرضيع بعيداً عن متناول الطفل.

يرجى غسل الأجزاء المستهلكة بماء بارد بدرجة حرارة أقل من ٣٠ درجة مئوية.

يمنع كي الأجزاء المستهلكة.

يحظر استعمال مادة تبييض أثناء غسل الأجزاء المستهلكة، وتجنب التنظيف الجاف.

لا تستخدم منظفاً غير مخفف أو بنزلياً أو مذيبات عضوية أخرى لغسل النظام المطور. فقد يتسبب ذلك في تلف نظام تقييد حركة الطفل المطور.

لا تقفل الأجزاء اللينة لتجفيفها بعنف، فقد يؤدي ذلك إلى ترك تجاعيد عليها.

يرجى تجفيف الأجزاء اللينة بتعليقها في الظل.

يرجى فك النظام المطور من مقعد السيارة إذا كنت تنوي عدم استخدامه لمدة زمنية طويلة.

IM-001150A

nuna[®]

Find out more at nunababy.com